

**meas. no.** 96L667  
**meas. date** 10/8/2017  
**operator** LightLab

**meas. conditions**  
 ambient temperature 25.0 °C  
 voltage 230.00 V  
 current 0.248 A  
 power consumption 55.5 W

**meas. lamps** lum. flux [lm]  
 1 5001.0 lm

**measurement results**  
 flux of luminaire 5000.6 lm  
 classification / DIN A61  
 lower flux fraction 98.76 %  
 upper flux fraction 1.24 %  
 intensity maximum 1821.2 cd/klm  
 in C-plane 195.0 °  
 at gamma 2.5 °  
 half value angle C0 : 17.9 °  
 C90 : 17.5 °  
 C270 : 17.4 °  
 tenth value angle C0 : 39.9 °  
 C90 : 40.3 °  
 C270 : 39.6 °

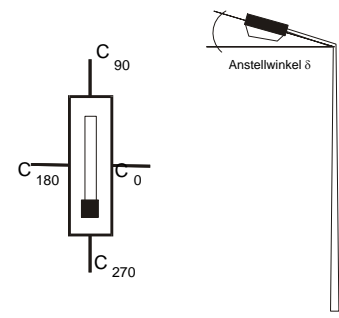
**article code**  
 Ecowat Co.

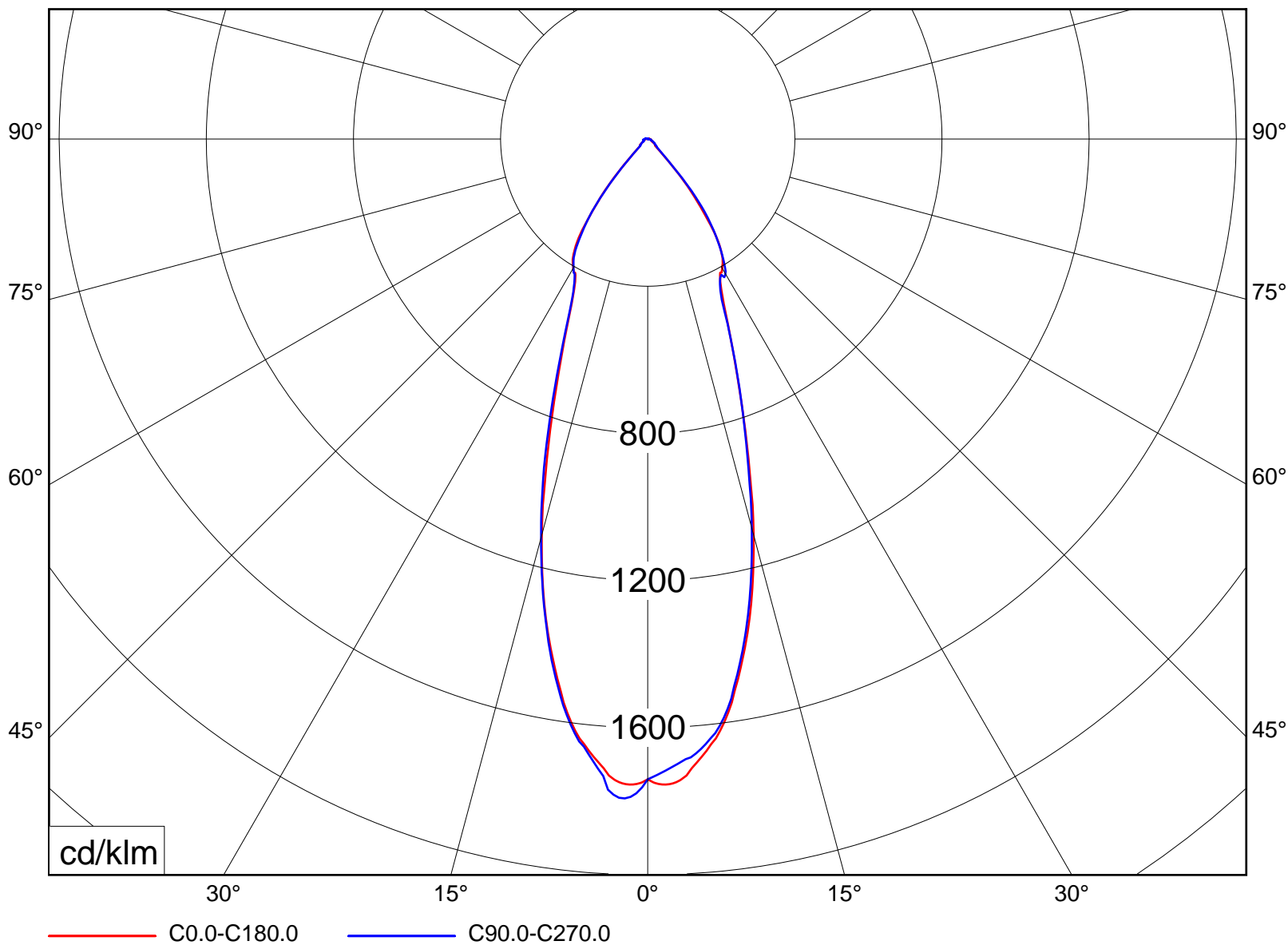
**lamp(s)**  
 1 x LED  
 total flux 5001 lm  
 LOR  
 100 %  
 tilt angle 0.0 °

**file**  
 TRACKLIGHT\_L

**dimensions of luminaire**  
 diameter 115 mm  
 height 170 mm

**dimensions of luminous area**  
 diameter 80 mm  
 height C0 60 mm  
 height C90 60 mm  
 height C180 60 mm  
 height C270 60 mm





**article code**

Ecowat Co.

**lamp(s)**

1 x LED

total flux

5001 lm

LOR

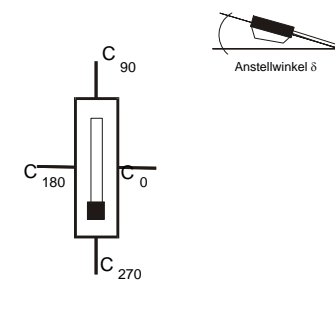
100 %

tilt angle

0.0 °

**file**

TRACKLIGHT\_L



distance [m]	cone diameter [m]	E [lx]
1.0	0.65	E(0°) 8703 E(C0) 17.9° 4197
2.0	1.29	E(0°) 2176 E(C0) 17.9° 1049
3.0	1.94	E(0°) 967 E(C0) 17.9° 466
4.0	2.58	E(0°) 544 E(C0) 17.9° 262
5.0	3.23	E(0°) 348 E(C0) 17.9° 168
6.0	3.88	E(0°) 242 E(C0) 17.9° 117

half value angle 35.8°

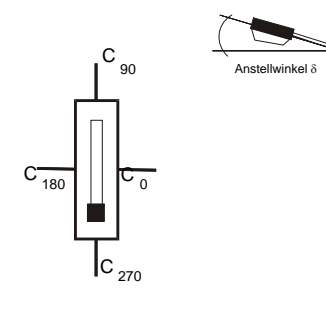
**article code**  
Ecowat Co.

**lamp(s)**

1 x LED  
total flux  
5001 lm  
LOR  
100 %  
tilt angle  
0.0 °

**file**

TRACKLIGHT\_L



article code

Ecowat Co.

lamp(s)

1 x LED

total flux

5001 lm

LOR

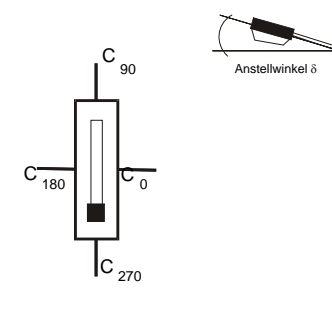
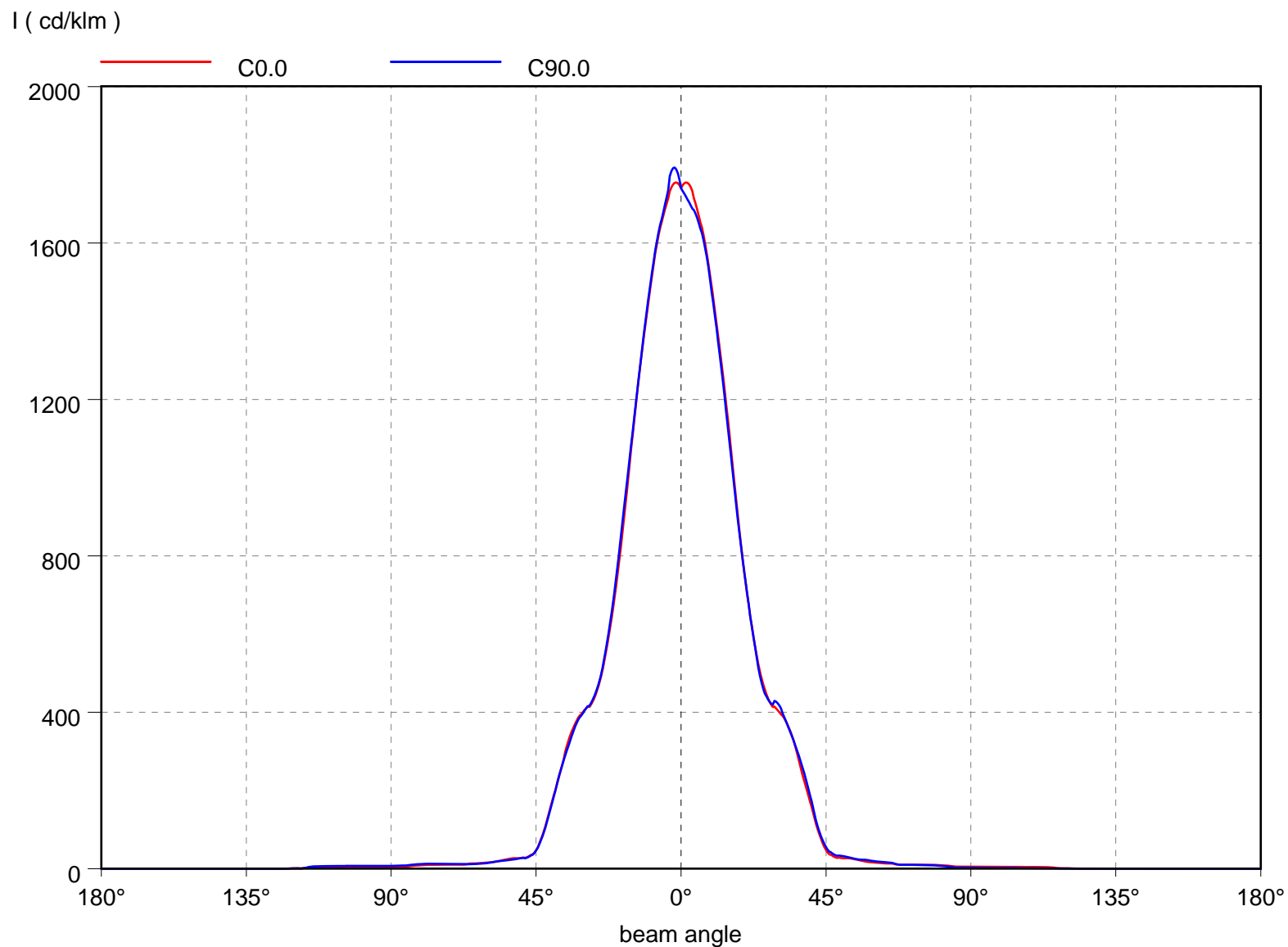
100 %

tilt angle

0.0 °

file

TRACKLIGHT\_L



tilt angle : 0.0°  
Schwenkwinkel : 0.0°

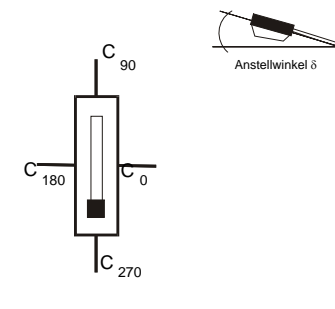
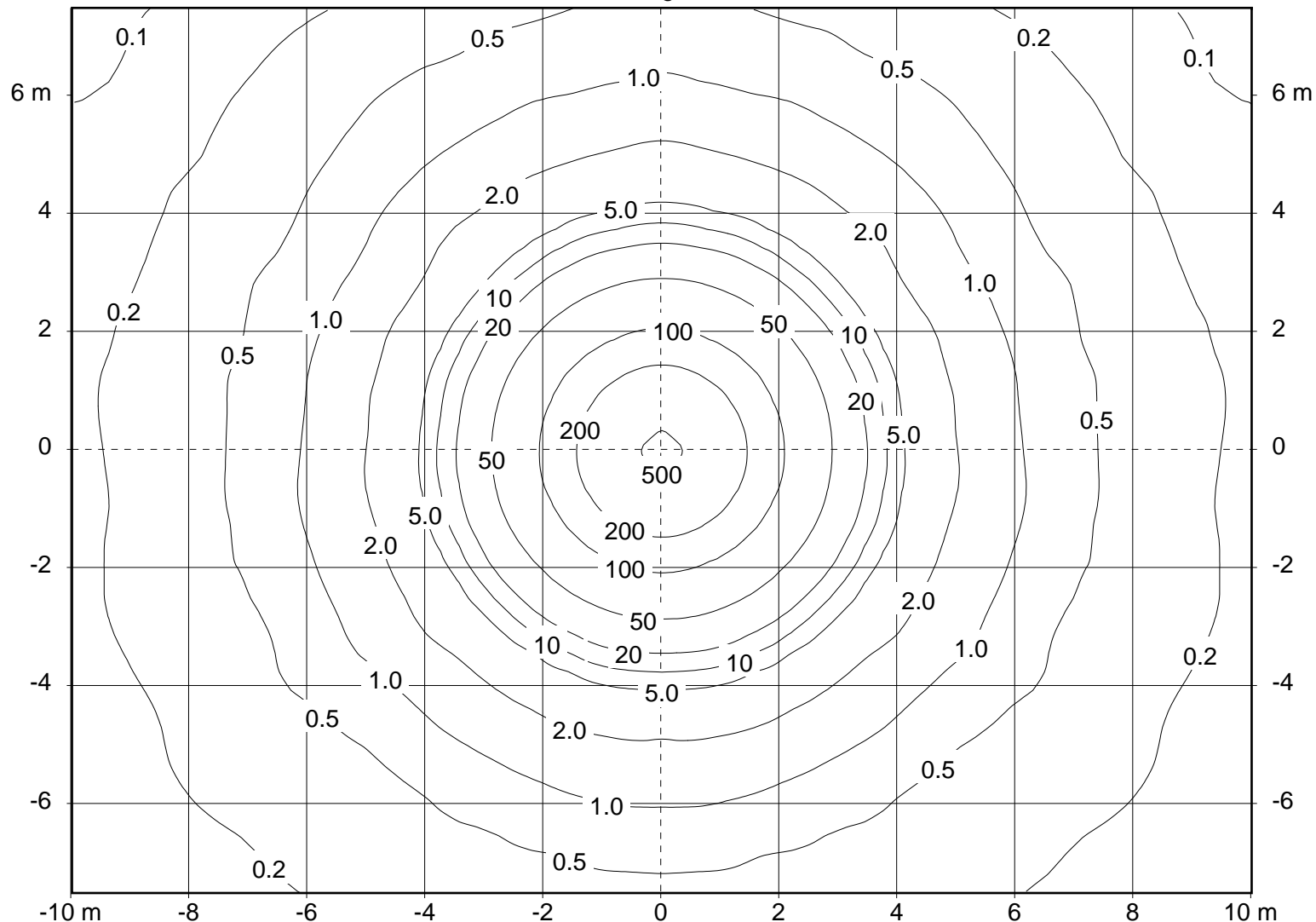
Lichtpunkthöhe : 4.0 m  
Orientierung : 0.0°

Verminderungsfaktor : 1.0

article code  
Ecowat Co.

lamp(s)  
1 x LED  
total flux  
5001 lm  
LOR  
100 %  
tilt angle  
0.0°

file  
TRACKLIGHT\_L



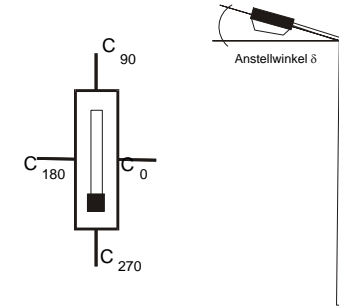
gamma / °	C 0	C 15	C 30	C 45	C 60	C 75	C 90	C 105	C 120	C 135	C 150	C 165	C 180	C 195	C 210	C 225	C 240
0	1740	1740	1740	1740	1740	1740	1740	1740	1740	1740	1740	1740	1740	1740	1740	1740	1740
5	1686	1669	1658	1661	1667	1666	1664	1666	1667	1661	1658	1669	1686	1698	1700	1698	1701
10	1458	1454	1450	1457	1443	1447	1446	1447	1443	1457	1450	1454	1458	1474	1477	1477	1464
15	1113	1101	1097	1090	1101	1094	1094	1094	1101	1090	1097	1101	1113	1126	1115	1112	1121
20	734	731	728	733	730	730	736	730	730	733	728	731	734	745	751	751	749
25	487	485	486	487	486	491	476	491	486	487	486	485	487	495	489	486	490
30	405	408	410	409	412	406	423	406	412	409	410	408	405	405	402	406	408
35	326	328	331	332	334	339	325	339	334	332	331	328	326	335	331	324	317
40	173	173	176	179	184	180	190	180	184	179	176	173	173	171	176	174	174
45	48	49	52	54	51	54	55	54	51	54	52	49	48	51	49	49	46
50	27	28	27	30	31	31	32	31	31	30	27	28	27	27	28	26	27
55	22	23	21	24	24	23	24	23	24	24	21	23	22	23	23	20	20
60	16	16	16	18	18	17	19	17	18	18	16	16	16	16	16	14	15
65	13	13	13	15	15	15	16	15	15	15	13	13	13	14	14	12	12
70	11	10	9	9	9	9	10	9	9	9	9	10	11	11	12	12	12
75	10	10	9	8	9	9	10	9	9	8	9	10	10	12	13	12	12

gamma / °	C 255	C 270	C 285	C 300	C 315	C 330	C 345
0	1740	1740	1740	1740	1740	1740	1740
5	1700	1698	1700	1701	1698	1700	1698
10	1468	1468	1468	1464	1477	1477	1474
15	1119	1121	1119	1121	1112	1115	1126
20	755	755	755	749	751	751	745
25	493	492	493	490	486	489	495
30	402	404	402	408	406	402	405
35	321	314	321	317	324	331	335
40	172	170	172	174	174	176	171
45	46	47	46	46	49	49	51
50	26	27	26	27	26	28	27
55	21	21	21	20	20	23	23
60	13	15	13	15	14	16	16
65	12	12	12	12	12	14	14
70	11	12	11	12	12	12	11
75	12	13	12	12	12	13	12

**article code**  
Ecowat Co.

**lamp(s)**  
1 x LED  
total flux  
5001 lm  
LOR  
100 %  
tilt angle  
0.0 °

**file**  
TRACKLIGHT\_L

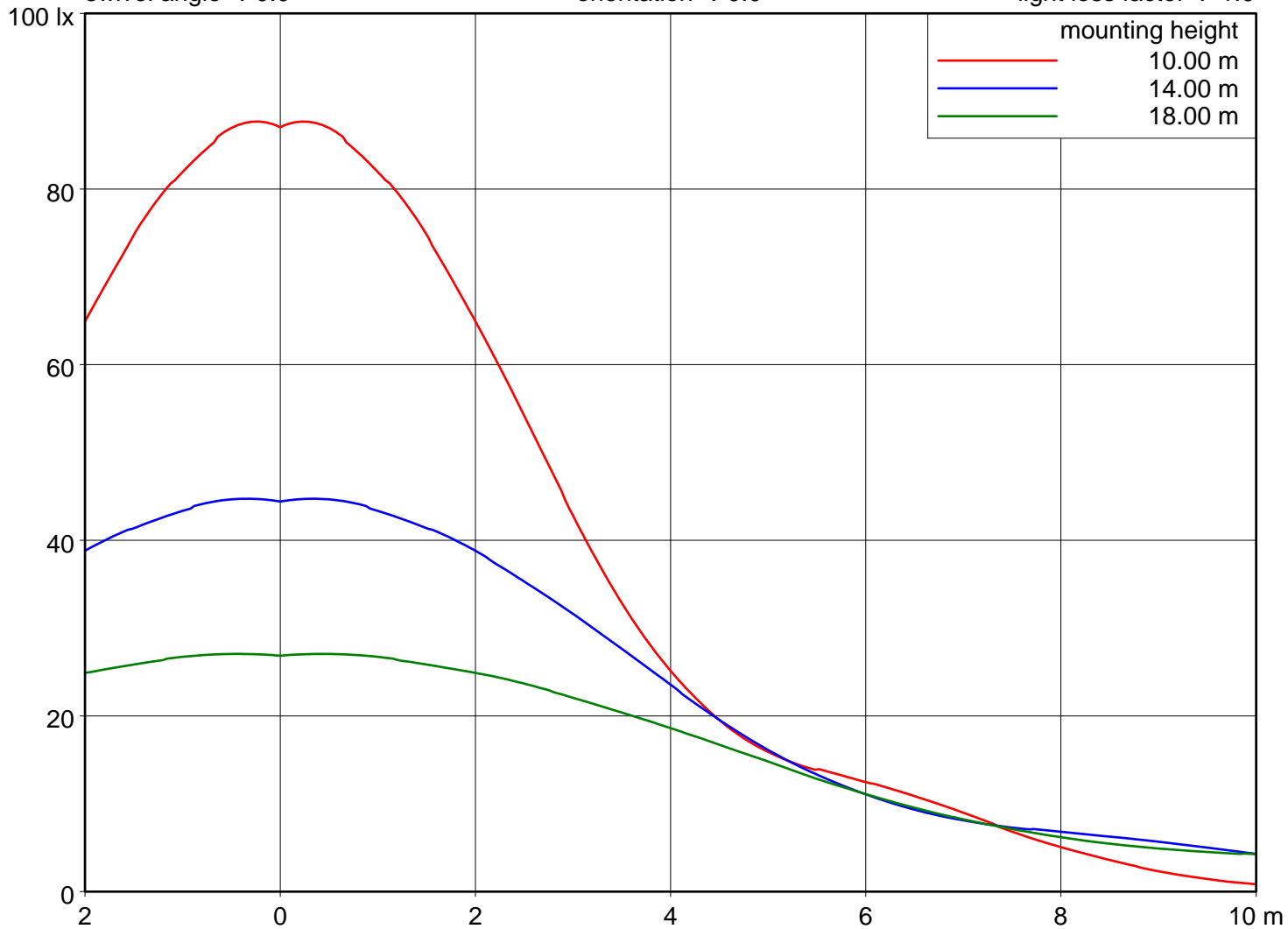


tilt angle : 0.0 °

swivel angle : 0.0 °

orientation : 0.0 °

light loss factor : 1.0



article code

Ecovat Co.

lamp(s)

1 x LED

total flux

5001 lm

LOR

100 %

tilt angle

0.0 °

file

TRACKLIGHT\_L

