

**meas. no.** 96L562  
**meas. date** 5/20/2017  
**operator** LightLab

**meas. conditions**  
 ambient temperature 25.0 °C  
 voltage 230.00 V  
 current 0.155 A  
 power consumption 34.7 W

**meas. lamps** lum. flux [lm]  
 1 3073.0 lm

**dimensions of luminaire**  
 diameter 100 mm  
 height 135 mm

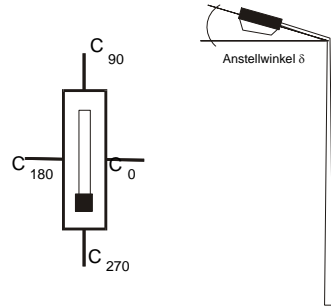
**dimensions of luminous area**  
 diameter 70 mm  
 height C0 30 mm  
 height C90 30 mm  
 height C180 30 mm  
 height C270 30 mm

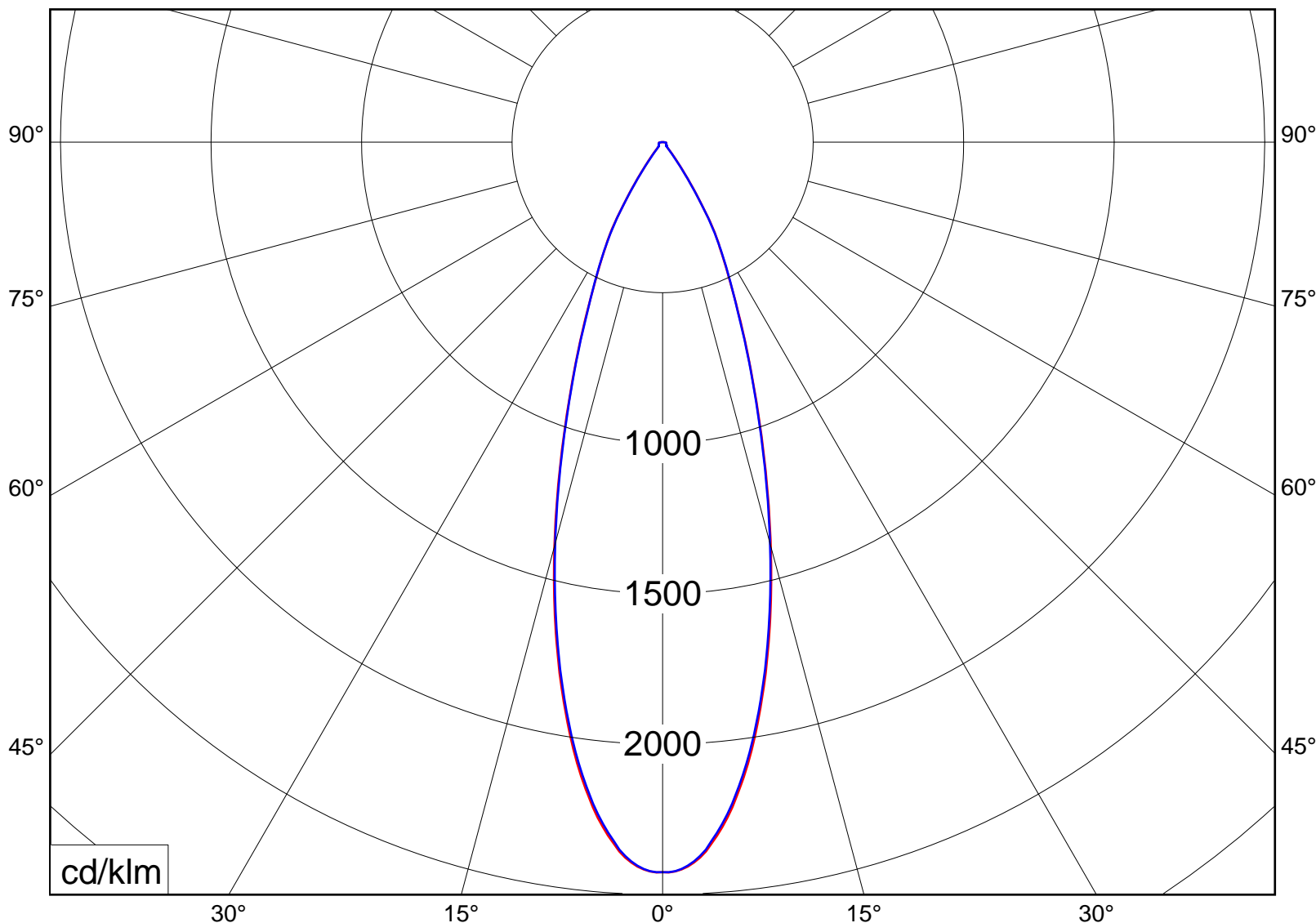
**measurement results**  
 flux of luminaire 3073.7 lm  
 classification / DIN A60  
 lower flux fraction 99.98 %  
 upper flux fraction 0.02 %  
 intensity maximum 2472.1 cd/klm  
 in C-plane 15.0 °  
 at gamma 2.5 °  
 half value angle C0 : 16.6 °  
 C90 : 16.6 °  
 C270 : 16.5 °  
 tenth value angle C0 : 32.1 °  
 C90 : 32.0 °  
 C270 : 31.9 °

**article code**  
 Ecowat Co.

**lamp(s)**  
 1 x LED  
 total flux 3073 lm  
 LOR  
 100 %  
 tilt angle 0.0 °

**file**  
 TRACKLIGHT\_L





**article code**

Ecowat Co.

**lamp(s)**

1 x LED

total flux  
3073 lm

LOR

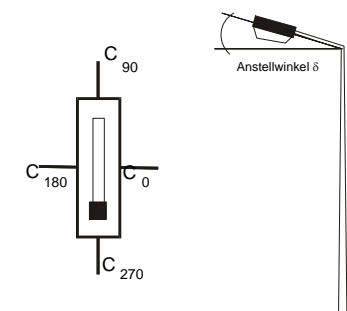
100 %

tilt angle

0.0 °

**file**

TRACKLIGHT\_L



cd/klm

C0.0-C180.0

C90.0-C270.0

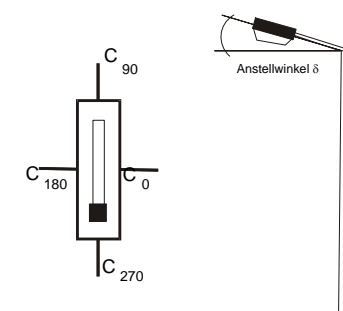
distance [m]	cone diameter [m]	E [lx]
1.0	0.60	E(0°) 7453 E(C0) 16.6° 3601
2.0	1.19	E(0°) 1863 E(C0) 16.6° 900
3.0	1.79	E(0°) 828 E(C0) 16.6° 400
4.0	2.39	E(0°) 466 E(C0) 16.6° 225
5.0	2.98	E(0°) 298 E(C0) 16.6° 144
6.0	3.58	E(0°) 207 E(C0) 16.6° 100

half value angle 33.2°

**article code**  
Ecowat Co.

**lamp(s)**  
1 x LED  
total flux  
3073 lm  
LOR  
100 %  
tilt angle  
0.0 °

**file**  
TRACKLIGHT\_L



article code

Ecowat Co.

lamp(s)

1 x LED

total flux

3073 lm

LOR

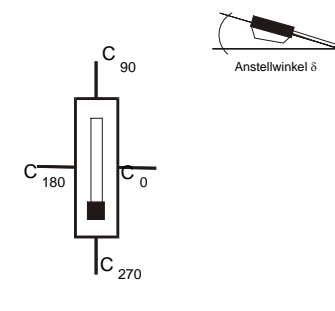
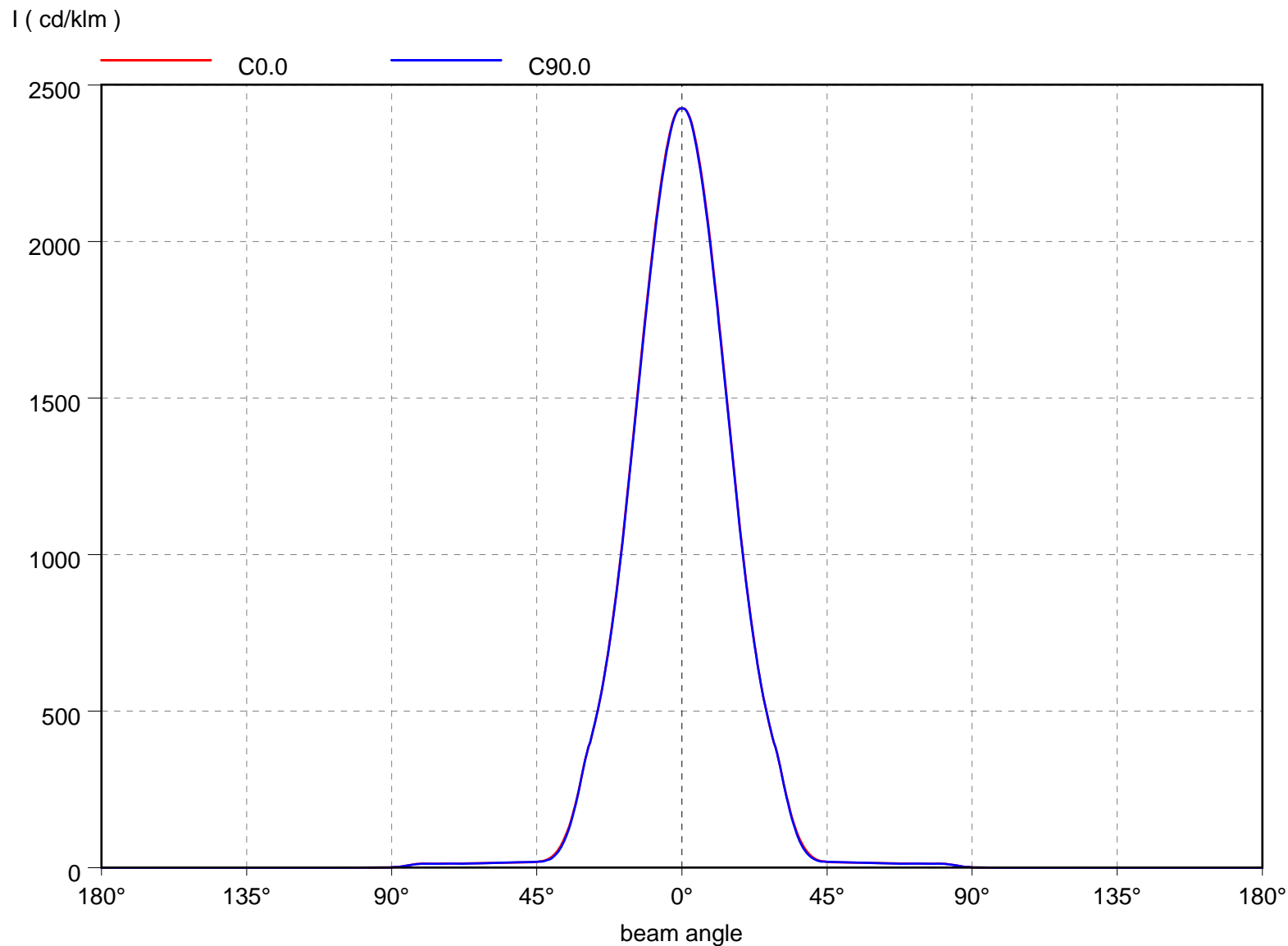
100 %

tilt angle

0.0 °

file

TRACKLIGHT\_L



tilt angle : 0.0°  
Schwenkwinkel : 0.0°

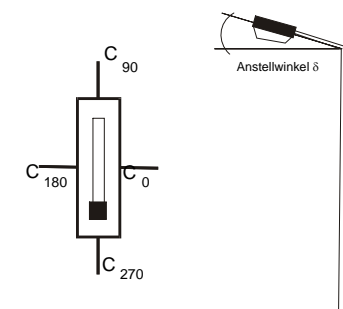
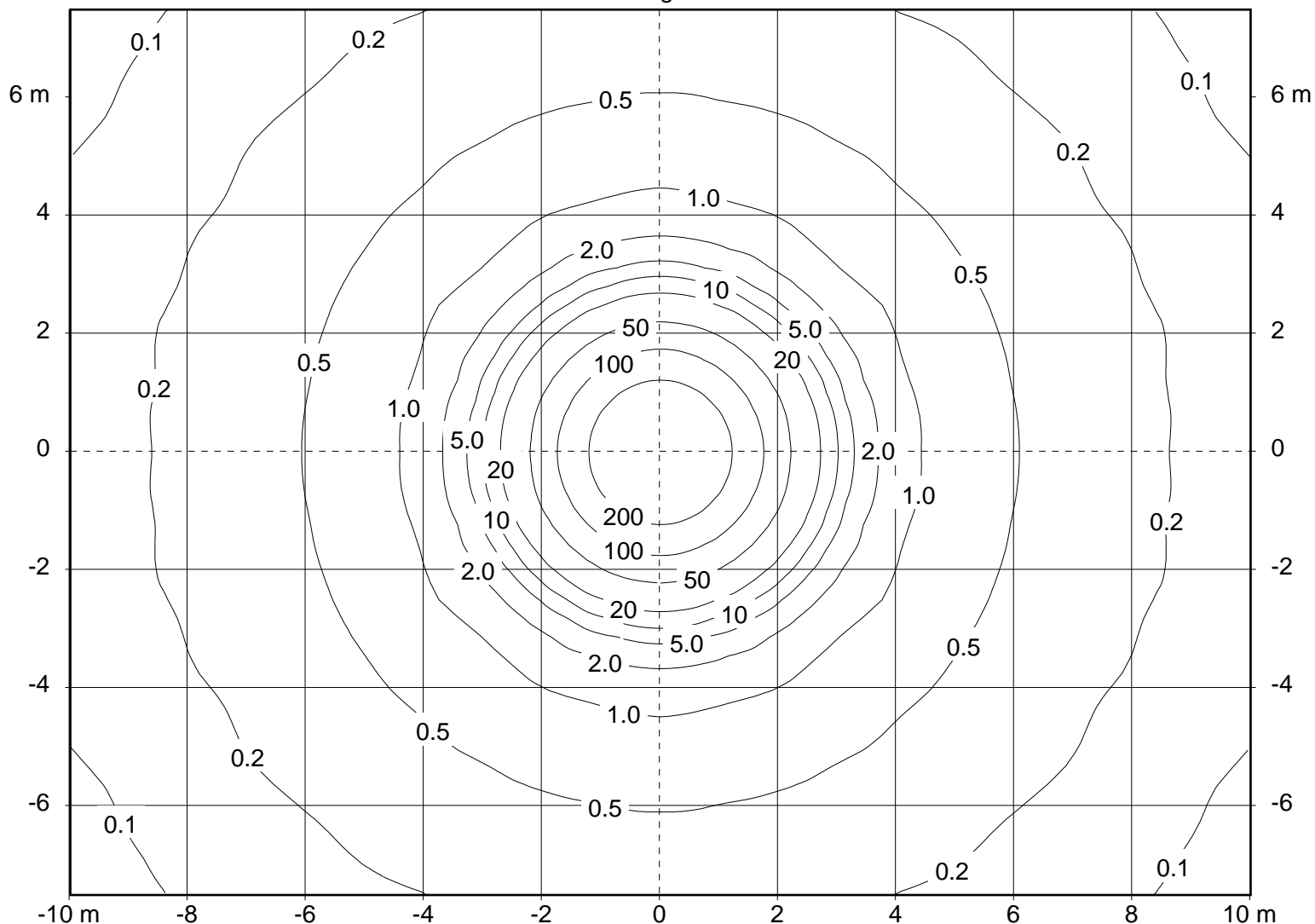
Lichtpunkthöhe : 4.0 m  
Orientierung : 0.0°

Verminderungsfaktor : 1.0

article code  
Ecowat Co.

lamp(s)  
1 x LED  
total flux  
3073 lm  
LOR  
100 %  
tilt angle  
0.0°

file  
TRACKLIGHT\_L



gamma / °	C 0	C 15	C 30	C 45	C 60	C 75	C 90	C 105	C 120	C 135	C 150	C 165	C 180	C 195	C 210	C 225	C 240
0	2425	2425	2425	2425	2425	2425	2425	2425	2425	2425	2425	2425	2425	2425	2425	2425	2425
5	2283	2281	2276	2273	2271	2272	2273	2272	2271	2273	2276	2281	2283	2281	2276	2273	2271
10	1891	1887	1882	1880	1878	1878	1879	1878	1878	1880	1882	1887	1891	1887	1882	1880	1878
15	1389	1384	1383	1382	1380	1380	1379	1380	1380	1382	1383	1384	1389	1384	1383	1382	1380
20	907	907	906	906	905	904	901	904	905	906	906	907	907	907	906	906	905
25	559	559	558	559	559	559	558	559	559	559	558	559	559	559	558	559	559
30	344	341	339	339	339	341	343	341	339	339	339	341	344	341	339	339	339
35	131	132	132	131	129	127	125	127	129	131	132	132	131	132	132	131	129
40	38	37	37	36	35	34	33	34	35	36	37	37	38	37	37	36	35
45	19	18	19	17	18	18	19	18	18	17	19	18	19	18	19	17	18
50	17	16	17	16	17	16	17	16	17	16	17	16	17	16	17	16	17
55	16	16	16	16	16	16	16	16	16	16	16	16	16	16	16	16	16
60	14	15	14	14	14	15	14	15	14	14	14	15	14	15	14	14	14
65	14	15	14	14	14	14	13	14	14	14	14	15	14	15	14	14	14
70	13	14	13	13	13	14	13	14	13	13	13	14	13	14	13	13	13
75	13	13	12	13	13	13	13	13	13	13	12	13	13	13	12	13	13
80	13	13	12	12	12	13	12	13	12	12	12	13	13	13	12	12	12

**article code**

Ecowat Co.

**lamp(s)**

1 x LED

total flux

3073 lm

LOR

100 %

tilt angle

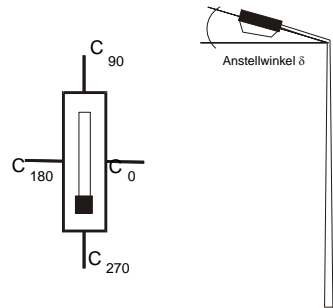
0.0 °

**file**

TRACKLIGHT\_L



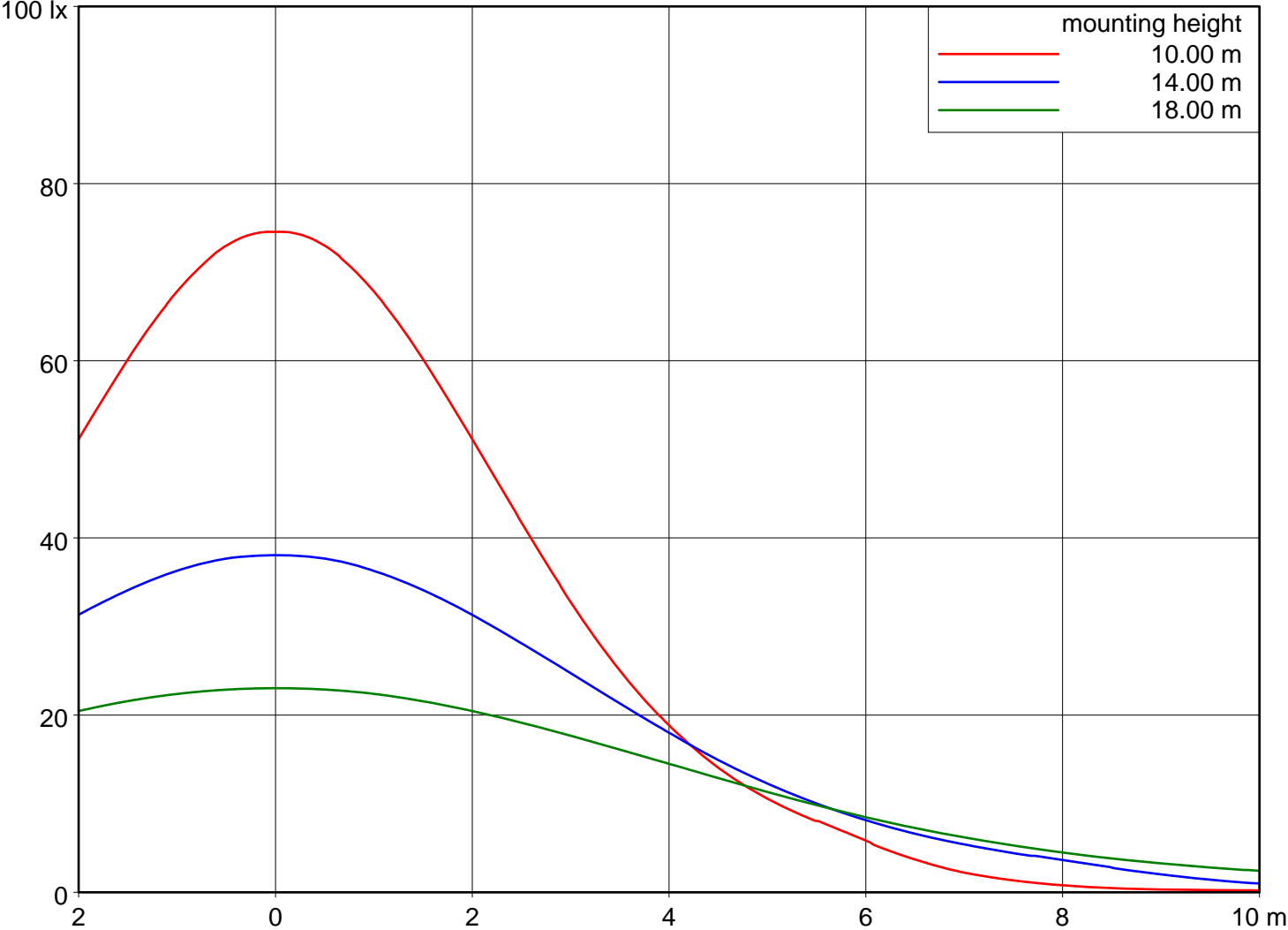
gamma / °	C 255	C 270	C 285	C 300	C 315	C 330	C 345
0	2425	2425	2425	2425	2425	2425	2425
5	2272	2273	2272	2271	2273	2276	2281
10	1878	1879	1878	1878	1880	1882	1887
15	1380	1379	1380	1380	1382	1383	1384
20	904	901	904	905	906	906	907
25	559	558	559	559	559	558	559
30	341	343	341	339	339	339	341
35	127	125	127	129	131	132	132
40	34	33	34	35	36	37	37
45	18	19	18	18	17	19	18
50	16	17	16	17	16	17	16
55	16	16	16	16	16	16	16
60	15	14	15	14	14	14	15
65	14	13	14	14	14	14	15
70	14	13	14	13	13	13	14
75	13	13	13	13	13	12	13
80	13	12	13	12	12	12	13



tilt angle : 0.0°  
swivel angle : 0.0°

orientation : 0.0°

light loss factor : 1.0



article code  
Ecowat Co.

lamp(s)  
1 x LED  
total flux  
3073 lm  
LOR  
100 %  
tilt angle  
0.0°

file  
TRACKLIGHT\_L

