

file : TRACKLIGHT_LED_25W_CW

meas. no. 99L1202
meas. date 7/1/2020
operator LighLab.

meas. conditions
 ambient temperature 25.0 °C
 voltage 230.00 V
 current 0.181 A
 power consumption 22.5 W
 Leistungsfaktor 0.540

meas. lamps lum. flux [lm]
 absolute measurement 1992.0 lm
 efficiency 88 lm/w

dimensions of luminaire
 diameter 90 mm
 height 110 mm

dimensions of luminous area
 diameter 65 mm
 height C0 40 mm
 height C90 40 mm
 height C180 40 mm
 height C270 40 mm

reflector

cover

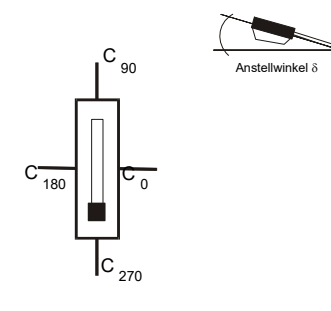
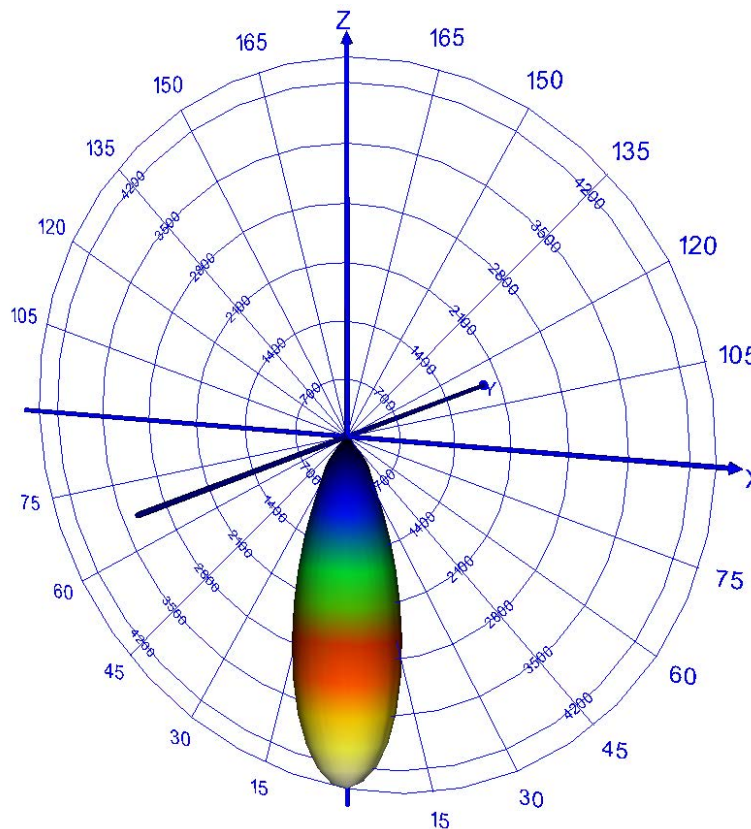
variant

measurement results
 flux of luminaire 1992.0 lm
 classification / DIN A60
 lower flux fraction 100.00 %
 upper flux fraction 0.00 %
 intensity maximum 4490.1 cd
 in C-plane 0.0 °
 at gamma 0.0 °
 half value angle C0 : 17.1 °
 C90 : 17.8 °
 C270 : 16.3 °
 tenth value angle C0 : 35.7 °
 C90 : 35.9 °
 C270 : 35.0 °

article code
 Ecowat Co.

lamp(s)
 1 x LED
 total flux 1992 lm
 LOR 100 %
 tilt angle 0.0 °

remarks



article code

Ecowat Co.

lamp(s)

1 x LED

total flux

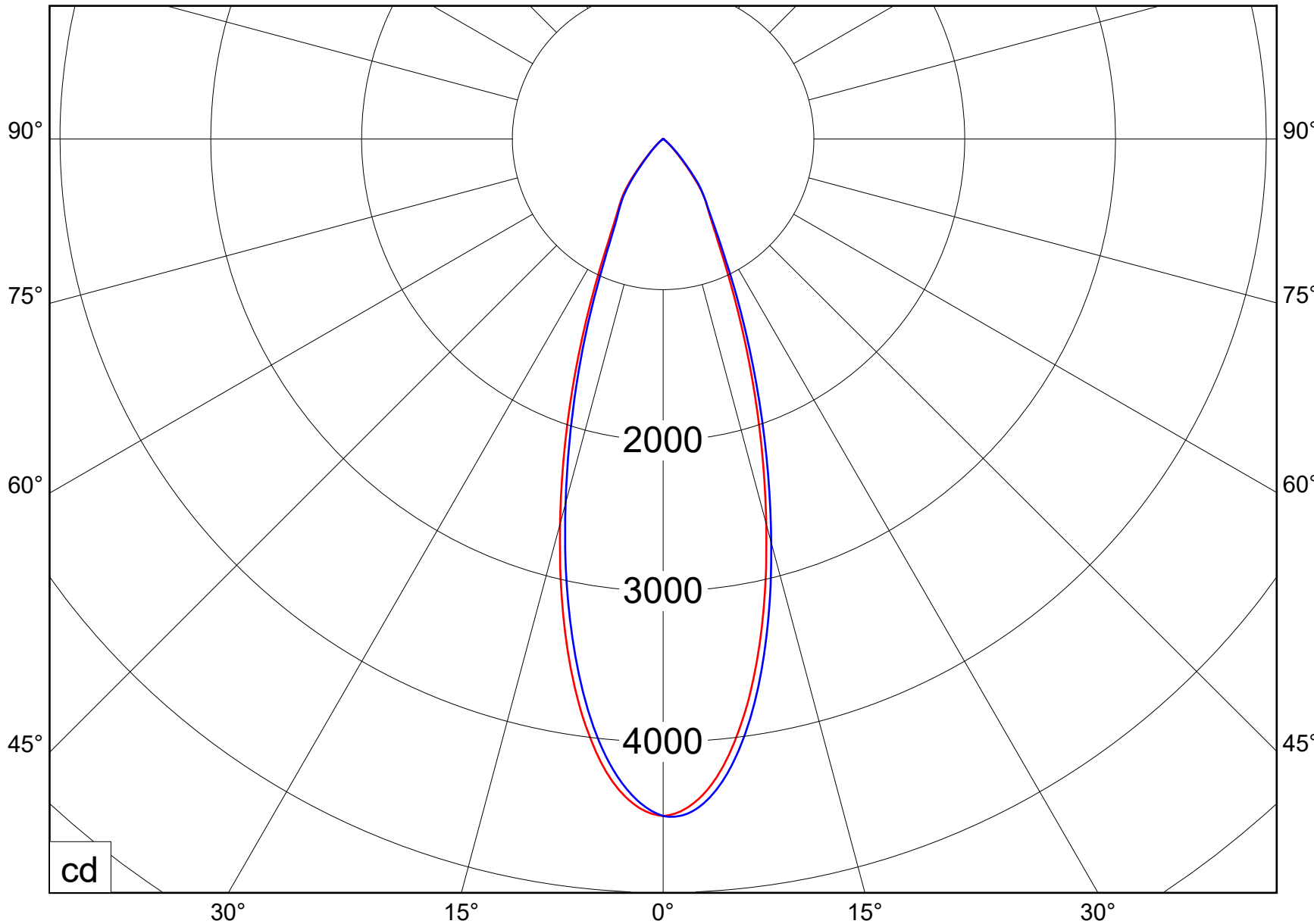
1992 lm

LOR

100 %

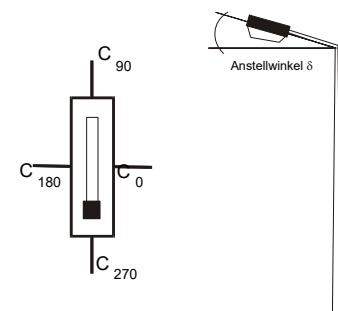
tilt angle

0.0 °



— C0.0-C180.0

— C90.0-C270.0



distance [m]

cone diameter [m]

E [lx]

article code

Ecowat Co.

lamp(s)

1 x LED

total flux
1992 lm

LOR
100 %

tilt angle
0.0 °



1.0

0.62

E(0°) 4490
E(C0) 17.1° 2154

2.0

1.23

E(0°) 1123
E(C0) 17.1° 539

3.0

1.85

E(0°) 499
E(C0) 17.1° 239

4.0

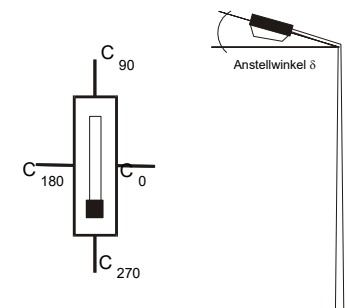
2.46

E(0°) 281
E(C0) 17.1° 135

5.0

3.08

E(0°) 180
E(C0) 17.1° 86



half value angle 34.2°

article code

Ecovat Co.

lamp(s)

1 x LED

total flux

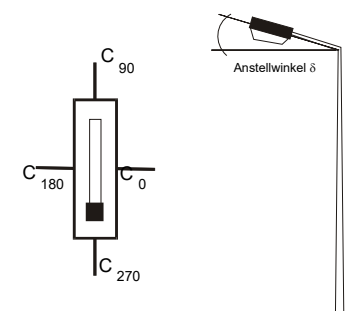
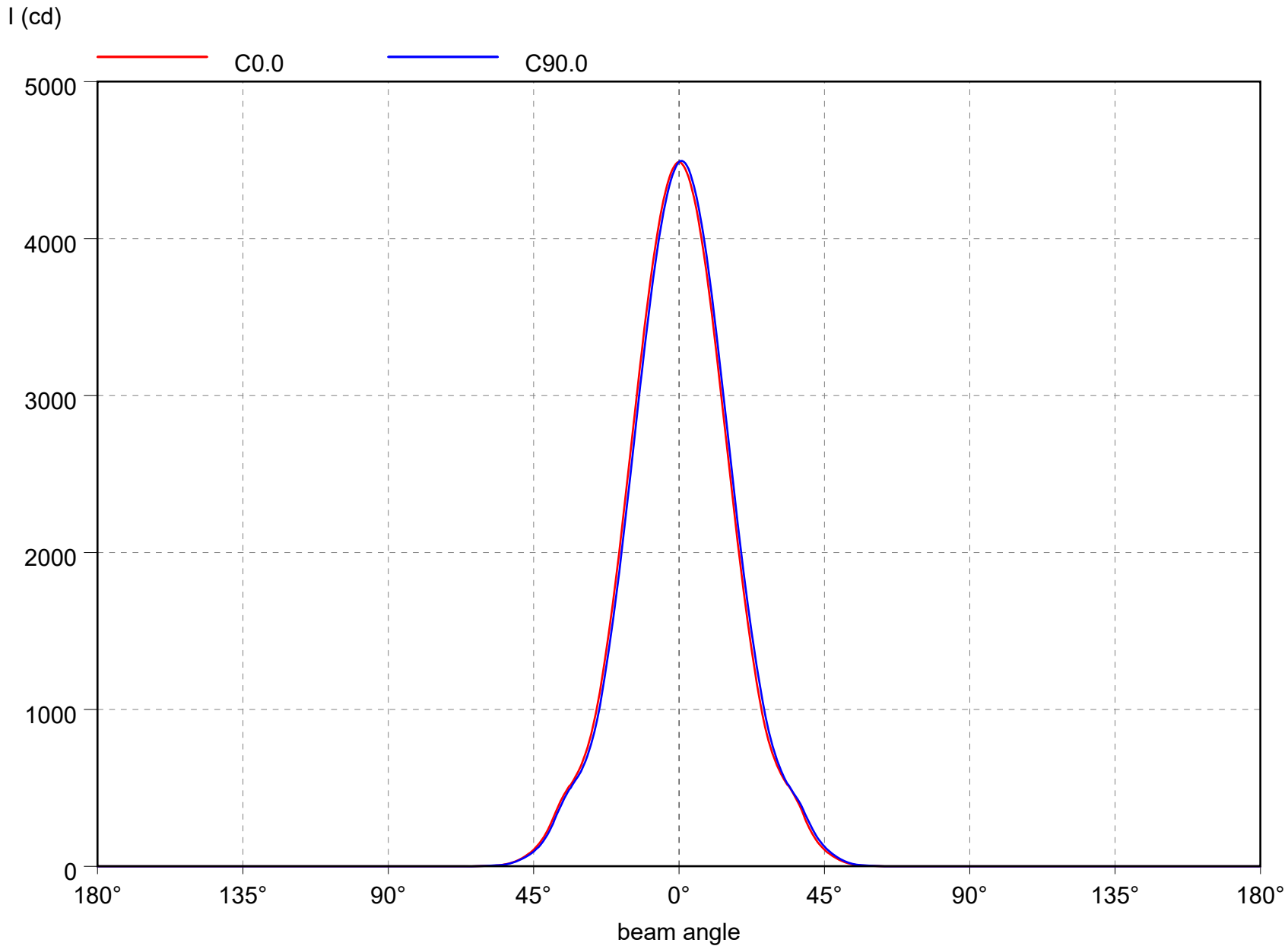
1992 lm

LOR

100 %

tilt angle

0.0 °



tilt angle : 0.0°

mounting height : 6.00 m

light loss factor : 0.8

swivel angle : 0.0°

orientation : 0.0°

article code

Ecowat Co.

lamp(s)

1 x LED

total flux

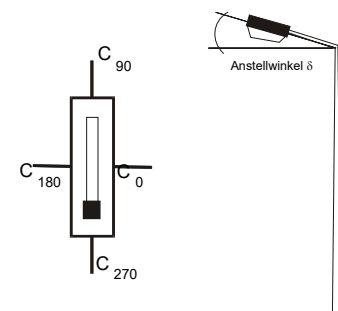
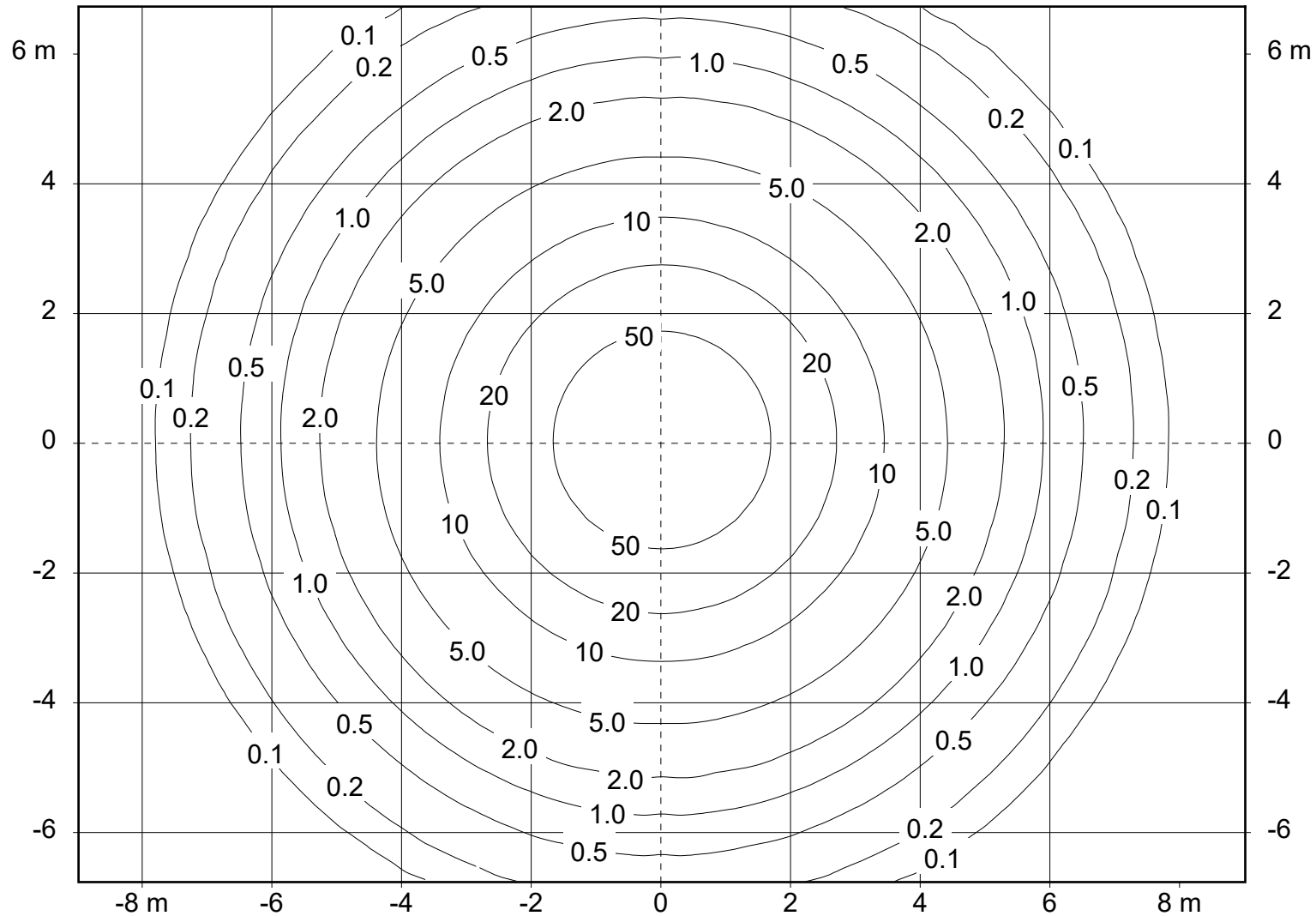
1992 lm

LOR

100 %

tilt angle

0.0°



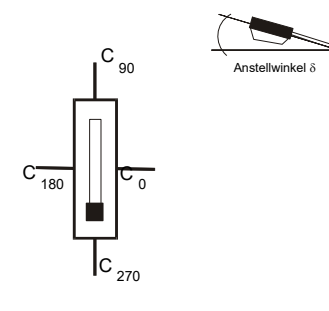
luminaire : TrackLight_LED_25W_CW

file : TRACKLIGHT_LED_25W_CW

gamma / °	C 0	C 15	C 30	C 45	C 60	C 75	C 90	C 105	C 120	C 135	C 150	C 165	C 180	C 195	C 210	C 225	C 240	C 255
0.0	2254	2254	2254	2254	2254	2254	2254	2254	2254	2254	2254	2254	2254	2254	2254	2254	2254	2254
2.5	2218	2223	2229	2233	2237	2240	2240	2240	2237	2233	2229	2223	2218	2212	2207	2203	2199	2196
5.0	2122	2132	2140	2148	2154	2158	2160	2158	2154	2148	2140	2132	2122	2114	2104	2095	2088	2083
7.5	1972	1985	1996	2006	2015	2020	2023	2020	2015	2006	1996	1985	1972	1961	1949	1936	1927	1920
10.0	1781	1796	1809	1821	1831	1836	1839	1836	1831	1821	1809	1796	1781	1771	1753	1739	1726	1718
12.5	1560	1578	1593	1605	1616	1622	1623	1622	1616	1605	1593	1578	1560	1550	1530	1515	1501	1493
15.0	1326	1345	1358	1373	1382	1390	1391	1390	1382	1373	1358	1345	1326	1316	1295	1280	1268	1258
17.5	1096	1112	1126	1142	1151	1157	1158	1157	1151	1142	1126	1112	1096	1084	1065	1050	1041	1032
20.0	881	897	910	925	932	939	940	939	932	925	910	897	881	870	853	840	831	825
22.5	691	705	718	730	740	745	747	745	740	730	718	705	691	682	668	656	649	643
25.0	530	541	553	563	573	578	580	578	573	563	553	541	530	524	513	503	496	491
27.5	411	417	424	431	439	444	446	444	439	431	424	417	411	405	397	391	387	383
30.0	331	334	336	340	346	349	350	349	346	340	336	334	331	328	324	320	317	314
32.5	279	279	280	281	284	285	285	285	284	281	280	279	279	278	276	274	272	270
35.0	240	241	241	242	243	243	242	243	243	242	241	241	240	239	236	234	232	229
37.5	190	193	197	200	202	201	201	201	202	200	197	193	190	189	183	178	177	176
40.0	130	136	140	143	146	146	147	146	146	143	140	136	130	125	122	117	116	114
42.5	84	90	92	94	96	98	98	98	96	94	92	90	84	81	78	75	74	73
45.0	53	58	60	62	63	63	64	63	63	62	60	58	53	52	51	49	47	47
47.5	33	36	37	39	39	39	40	39	39	39	37	36	33	32	32	31	30	30
50.0	19	21	21	22	22	23	23	23	22	22	21	21	19	18	18	18	18	17

article code
Ecowat Co.

lamp(s)
1 x LED
total flux
1992 lm
LOR
100 %
tilt angle
0.0 °



luminaire : TrackLight_LED_25W_CW

file : TRACKLIGHT_LED_25W_CW

gamma / °	C 270	C 285	C 300	C 315	C 330	C 345
0.0	2254	2254	2254	2254	2254	2254
2.5	2195	2196	2199	2203	2207	2212
5.0	2082	2083	2088	2095	2104	2114
7.5	1917	1920	1927	1936	1949	1961
10.0	1715	1718	1726	1739	1753	1771
12.5	1492	1493	1501	1515	1530	1550
15.0	1255	1258	1268	1280	1295	1316
17.5	1029	1032	1041	1050	1065	1084
20.0	821	825	831	840	853	870
22.5	640	643	649	656	668	682
25.0	486	491	496	503	513	524
27.5	381	383	387	391	397	405
30.0	311	314	317	320	324	328
32.5	269	270	272	274	276	278
35.0	227	229	232	234	236	239
37.5	173	176	177	178	183	189
40.0	116	114	116	117	122	125
42.5	74	73	74	75	78	81
45.0	47	47	47	49	51	52
47.5	30	30	30	31	32	32
50.0	18	17	18	18	18	18

article code

Ecowat Co.

lamp(s)

1 x LED

total flux

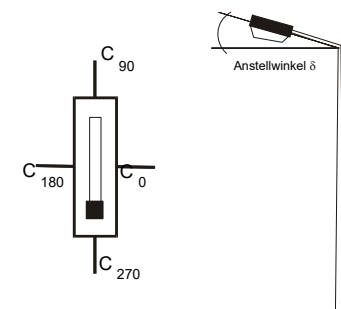
1992 lm

LOR

100 %

tilt angle

0.0 °

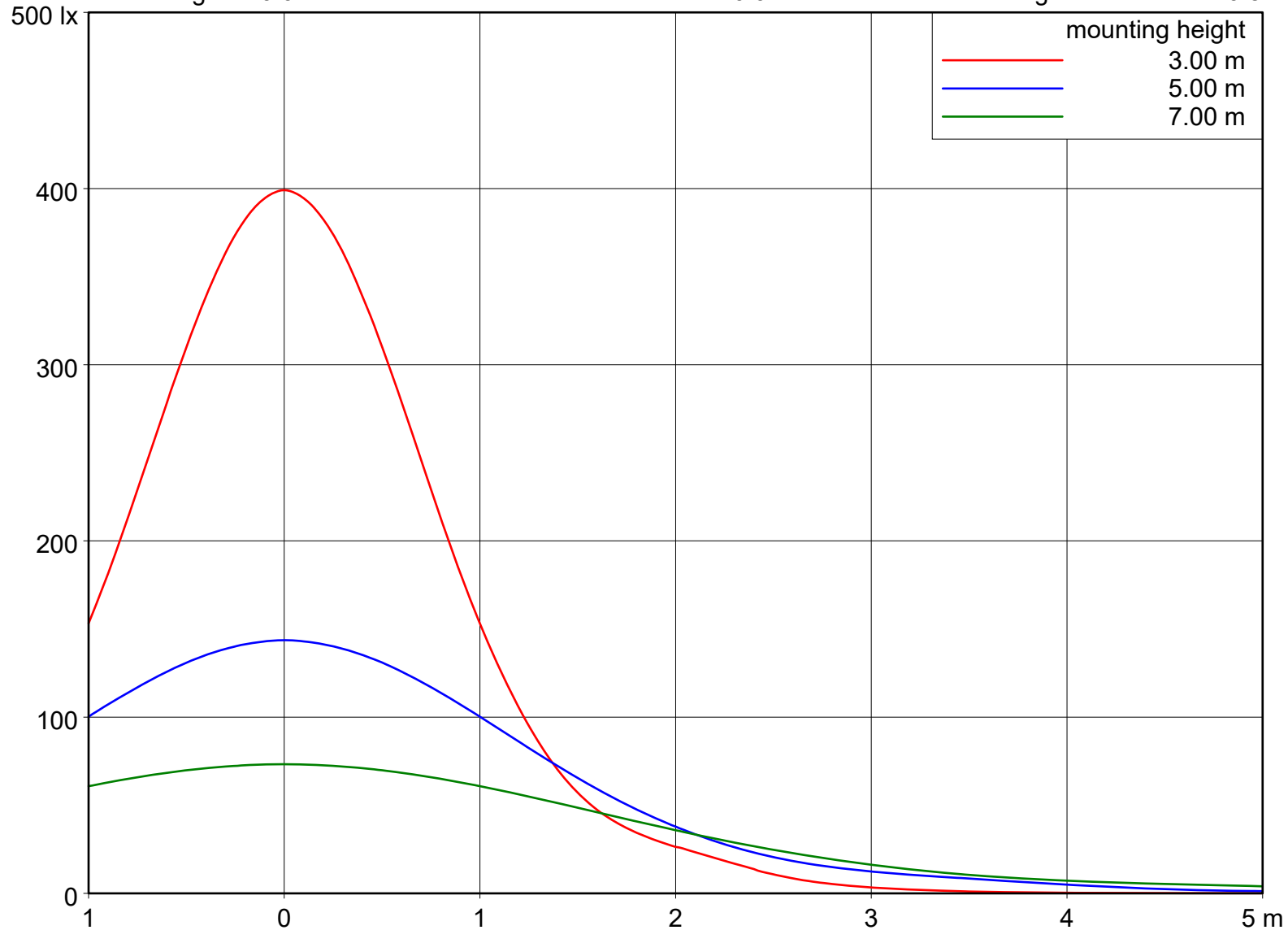


tilt angle : 0.0 °

swivel angle : 0.0 °

orientation : 0.0 °

light loss factor : 0.8



article code

Ecowat Co.

lamp(s)

1 x LED

total flux

1992 lm

LOR

100 %

tilt angle

0.0 °

