

file : STREETLIGHT_LED_SL50B-W_50W_5700K

meas. no. 00L1528
meas. date 2/26/2022
operator LightLab.

meas. conditions
 ambient temperature 25.0 °C
 voltage 230.00 V
 current 0.216 A
 power consumption 48.1 W
 Leistungsfaktor 0.966

meas. lamps lum. flux [lm]
 absolute measurement 5205.5 lm
 luminous efficacy 108 lm/w

measurement results
 flux of luminaire 5205.5 lm
 classification / DIN A40
 lower flux fraction 99.99 %
 upper flux fraction 0.01 %
 intensity maximum 4859.6 cd
 in C-plane 262.5 °
 at gamma 57.5 °
 half value angle C0 : 66.3 °
 C90 : 41.5 °
 C270 : 37.4 °
 tenth value angle C0 : 70.8 °
 C90 : 59.8 °
 C270 : 65.5 °

article code
 Ecowat Co.

lamp(s)
 1 x LED
 total flux 5205 lm
 LOR 100 %
 tilt angle 0.0 °

dimensions of luminaire
 length 500 mm
 width 210 mm
 height 50 mm

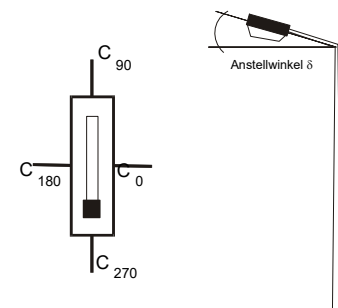
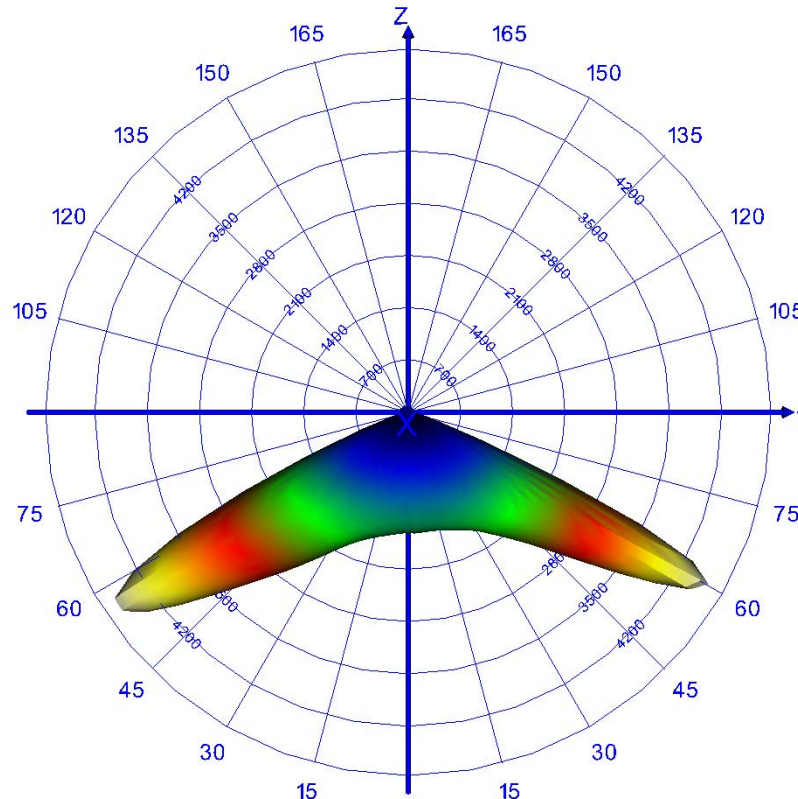
dimensions of luminous area
 length 100 mm
 width 100 mm
 height C0 20 mm
 height C90 20 mm
 height C180 20 mm
 height C270 20 mm

reflector

cover

variant

remarks



article code

Ecowat Co.

lamp(s)

1 x LED

total flux

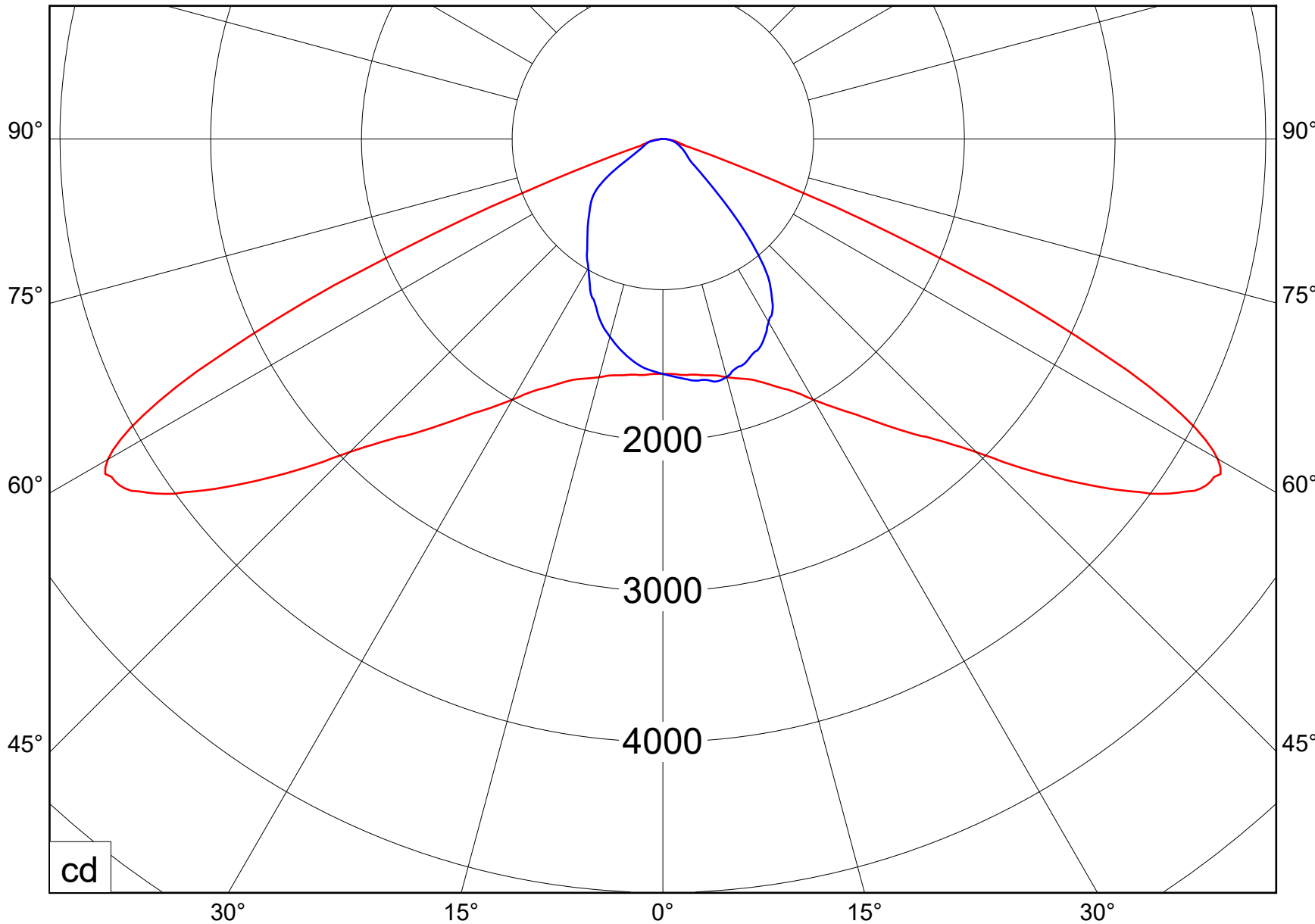
5205 lm

LOR

100 %

tilt angle

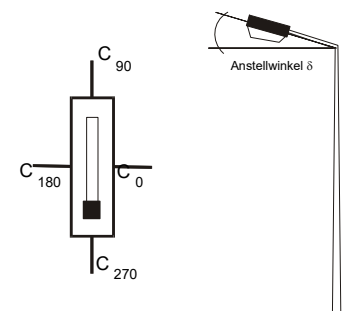
0.0 °



cd

— C0.0-C180.0

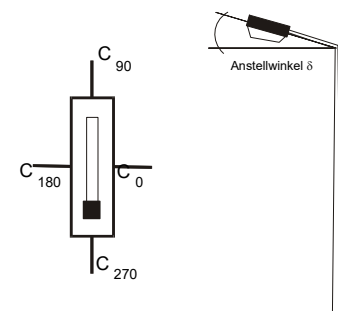
— C90.0-C270.0



distance [m]	cone diameter [m]	E [lx]
2.0	9.11	E(0°) 390 E(C0) 66.3° 221
4.0	18.22	E(0°) 97 E(C0) 66.3° 55
6.0	27.34	E(0°) 43 E(C0) 66.3° 25
8.0	36.45	E(0°) 24 E(C0) 66.3° 14
10.0	45.56	E(0°) 16 E(C0) 66.3° 9

article code
Ecawat Co.

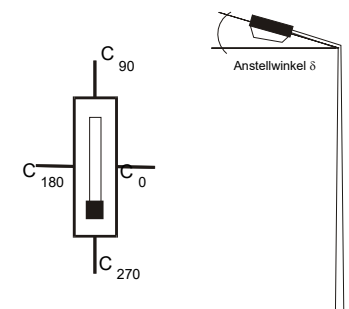
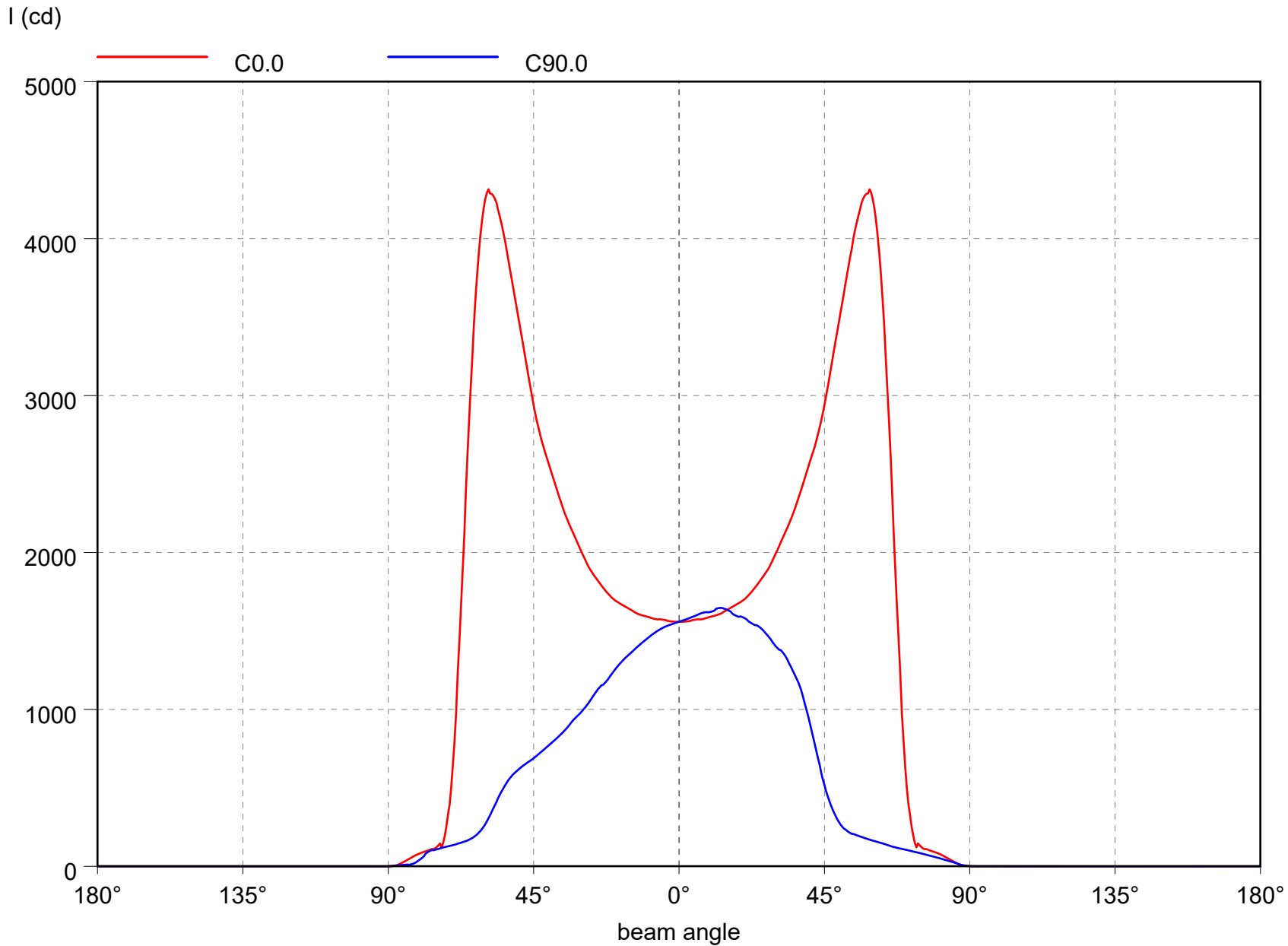
lamp(s)
1 x LED
total flux
5205 lm
LOR
100 %
tilt angle
0.0 °



half value angle 132.6°

article code
Ecowat Co.

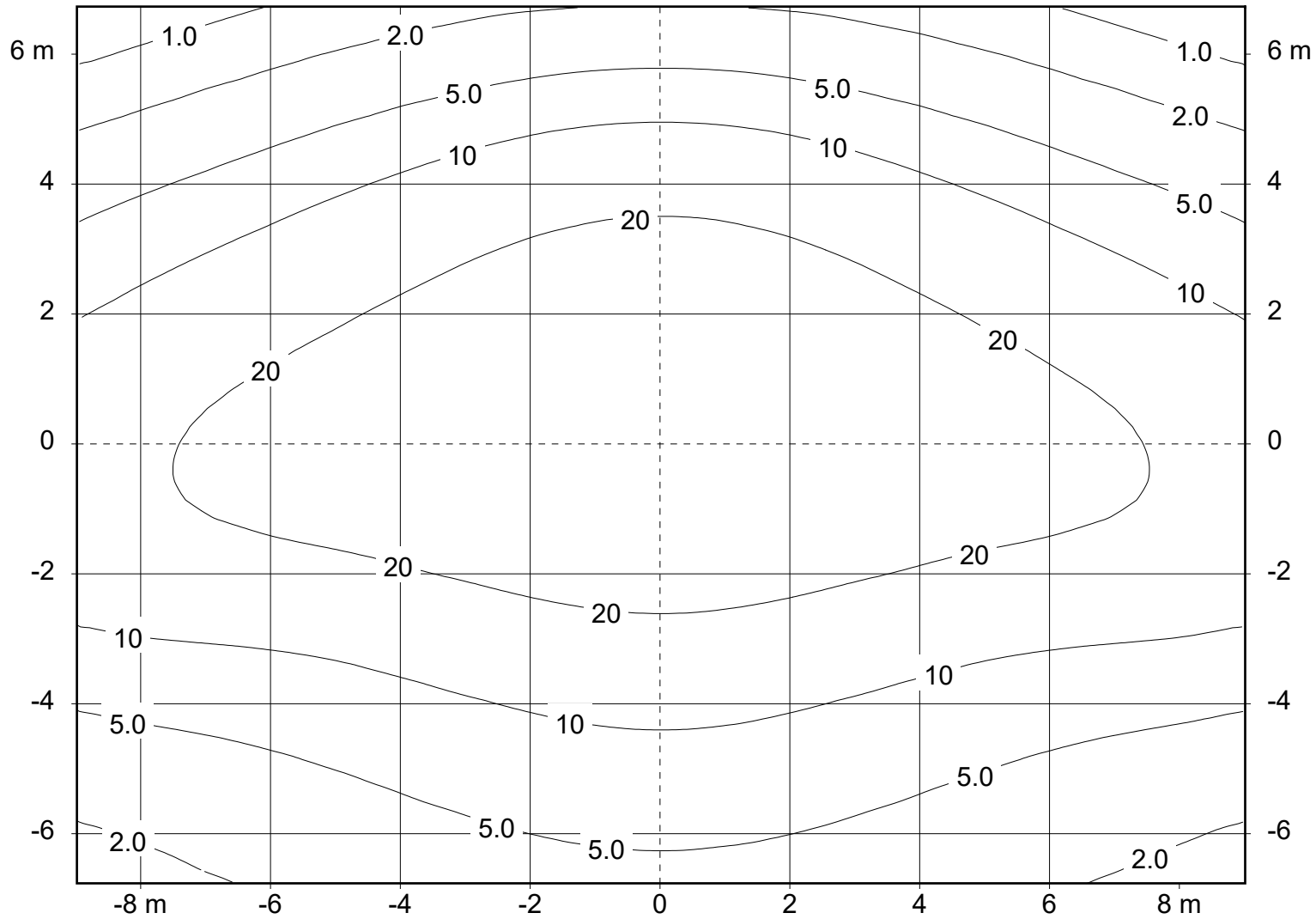
lamp(s)
1 x LED
total flux
5205 lm
LOR
100 %
tilt angle
0.0 °



tilt angle : 0.0°
swivel angle : 0.0°

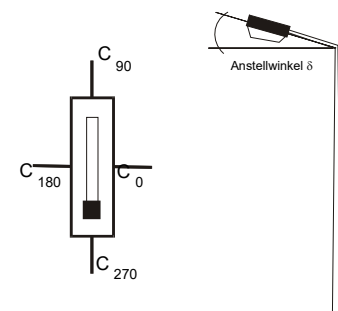
mounting height : 6.00 m
orientation : 0.0°

light loss factor : 0.8



article code
Ecowat Co.

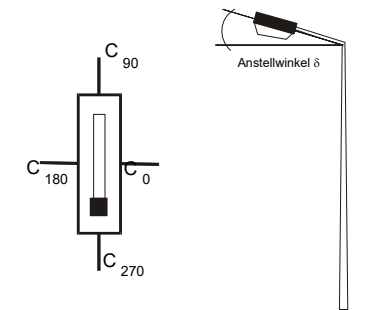
lamp(s)
1 x LED
total flux
5205 lm
LOR
100 %
tilt angle
0.0°



gamma / °	C 0	C 15	C 30	C 45	C 60	C 75	C 90	C 105	C 120	C 135	C 150	C 165	C 180	C 195	C 210	C 225	C 240	C 255	
0.0	299.5	299.5	299.5	299.5	299.5	299.5	299.5	299.5	299.5	299.5	299.5	299.5	299.5	299.5	299.5	299.5	299.5	299.5	299.5
2.5	299.9	300.9	301.9	302.6	302.9	302.9	302.9	302.9	302.9	302.6	301.9	300.9	299.9	298.9	297.9	297.0	296.4	296.1	296.1
5.0	302.0	303.6	304.9	305.9	307.0	307.0	306.7	307.0	307.0	305.9	304.9	303.6	302.0	298.9	296.1	293.4	292.2	292.0	292.0
7.5	302.9	305.9	307.9	309.1	310.3	309.7	310.6	309.7	310.3	309.1	307.9	305.9	302.9	299.4	295.2	291.3	287.4	285.7	285.7
10.0	305.8	309.6	311.2	312.2	312.6	312.4	311.9	312.4	312.6	312.2	311.2	309.6	305.8	299.7	294.4	287.9	281.8	279.0	279.0
12.5	308.7	313.4	314.6	315.9	315.2	315.1	316.3	315.1	315.2	315.9	314.6	313.4	308.7	302.4	293.2	284.3	276.3	271.4	271.4
15.0	314.3	318.7	319.6	318.5	315.9	313.0	314.0	313.0	315.9	318.5	319.6	318.7	314.3	304.3	293.2	281.6	270.5	262.5	262.5
17.5	320.0	324.5	324.1	321.7	315.8	311.9	307.1	311.9	315.8	321.7	324.1	324.5	320.0	308.4	292.8	277.9	262.3	253.2	253.2
20.0	326.2	331.7	329.3	322.1	315.1	308.4	304.5	308.4	315.1	322.1	329.3	331.7	326.2	313.0	294.0	272.6	254.8	243.9	243.9
22.5	336.3	340.8	335.6	323.6	310.3	302.9	297.4	302.9	310.3	323.6	335.6	340.8	336.3	319.5	294.7	267.6	245.8	232.8	232.8
25.0	349.1	351.5	342.1	322.2	306.0	296.3	292.8	296.3	306.0	322.2	342.1	351.5	349.1	328.8	295.5	262.8	235.8	220.5	220.5
27.5	363.3	363.8	343.1	319.9	299.8	287.2	282.3	287.2	299.8	319.9	343.1	363.8	363.3	339.2	298.5	256.0	225.0	207.7	207.7
30.0	383.5	376.9	347.6	316.4	290.7	277.2	269.3	277.2	290.7	316.4	347.6	376.9	383.5	354.5	298.5	247.5	212.6	194.7	194.7
32.5	405.5	389.7	351.3	307.9	281.0	264.8	259.9	264.8	281.0	307.9	351.3	389.7	405.5	370.0	300.7	237.6	200.1	182.8	182.8
35.0	428.6	404.0	351.7	301.0	267.0	250.1	241.4	250.1	267.0	301.0	351.7	404.0	428.6	384.2	299.0	226.2	188.7	172.5	172.5
37.5	457.3	421.1	347.9	290.3	252.1	227.6	218.9	227.6	252.1	290.3	347.9	421.1	457.3	401.7	295.3	214.9	175.9	161.8	161.8
40.0	488.6	437.1	345.8	276.5	228.2	194.7	183.6	194.7	228.2	276.5	345.8	437.1	488.6	424.6	289.7	202.3	165.7	152.0	152.0
42.5	521.1	452.1	340.2	255.3	192.7	152.4	141.4	152.4	192.7	255.3	340.2	452.1	521.1	448.8	284.1	191.2	156.1	143.4	143.4
45.0	564.2	469.8	331.5	226.9	149.9	110.3	99.4	110.3	149.9	226.9	331.5	469.8	564.2	476.3	276.2	178.5	145.9	135.3	135.3
47.5	620.8	482.3	315.5	187.3	108.4	77.8	70.1	77.8	108.4	187.3	315.5	482.3	620.8	509.0	268.3	167.2	137.1	127.6	127.6
50.0	678.2	489.5	286.3	142.5	76.6	56.6	51.2	56.6	76.6	142.5	286.3	489.5	678.2	546.6	260.6	158.1	129.3	119.6	119.6
52.5	735.1	489.4	244.5	102.2	55.4	44.2	42.1	44.2	55.4	102.2	244.5	489.4	735.1	588.3	252.6	147.9	118.8	108.8	108.8
55.0	787.8	474.8	194.8	72.2	44.7	39.1	38.1	39.1	44.7	72.2	194.8	474.8	787.8	622.8	239.0	134.9	103.9	93.0	93.0
57.5	821.1	438.6	145.4	52.9	39.4	35.8	34.7	35.8	39.4	52.9	145.4	438.6	821.1	632.0	218.1	113.7	84.4	73.6	73.6
60.0	816.7	374.3	104.1	42.3	36.7	33.1	31.5	33.1	36.7	42.3	104.1	374.3	816.7	594.2	186.7	87.6	62.7	54.0	54.0
62.5	724.4	285.3	72.0	36.5	33.6	29.8	28.8	29.8	33.6	36.5	72.0	285.3	724.4	491.5	140.2	61.8	46.0	40.8	40.8
65.0	543.8	188.1	49.2	33.4	30.5	26.3	25.4	26.3	30.5	33.4	49.2	188.1	543.8	333.0	90.8	43.6	36.6	34.1	34.1
67.5	317.4	107.5	36.1	30.3	27.4	22.6	22.7	22.6	27.4	30.3	36.1	107.5	317.4	176.3	54.1	35.2	32.0	30.3	30.3
70.0	123.2	56.6	29.5	27.1	23.6	19.6	20.5	19.6	23.6	27.1	29.5	56.6	123.2	78.2	35.7	31.0	28.5	26.7	26.7
72.5	37.4	31.3	25.2	23.9	19.8	17.1	18.2	17.1	19.8	23.9	25.2	31.3	37.4	36.9	28.4	27.5	25.3	23.3	23.3
75.0	23.7	22.0	20.1	20.4	15.7	15.0	15.8	15.0	15.7	20.4	20.1	22.0	23.7	24.2	24.0	24.2	21.7	20.2	20.2
77.5	19.7	17.3	13.9	15.1	11.9	12.5	13.2	12.5	11.9	15.1	13.9	17.3	19.7	18.1	19.2	21.0	18.5	16.8	16.8
80.0	16.2	13.3	9.9	9.7	8.7	9.8	10.6	9.8	8.7	9.7	9.9	13.3	16.2	13.6	14.2	17.7	15.3	14.6	14.6

article code
Ecowat Co.

lamp(s)
1 x LED
total flux
5205 lm
LOR
100 %
tilt angle
0.0 °



luminaire : StreetLight_LED_SL50B-W_50W_5700K

file : STREETLIGHT_LED_SL50B-W_50W_5700K

article code

Ecowat Co.

lamp(s)

1 x LED

total flux

5205 lm

LOR

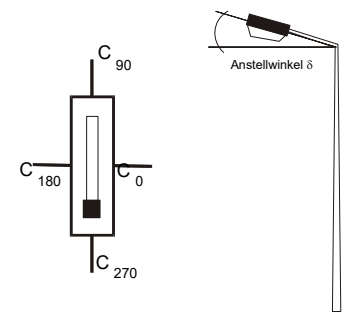
100 %

tilt angle

0.0 °



gamma / °	C 270	C 285	C 300	C 315	C 330	C 345
0.0	299.5	299.5	299.5	299.5	299.5	299.5
2.5	296.0	296.1	296.4	297.0	297.9	298.9
5.0	292.2	292.0	292.2	293.4	296.1	298.9
7.5	285.9	285.7	287.4	291.3	295.2	299.4
10.0	278.5	279.0	281.8	287.9	294.4	299.7
12.5	270.2	271.4	276.3	284.3	293.2	302.4
15.0	260.9	262.5	270.5	281.6	293.2	304.3
17.5	251.7	253.2	262.3	277.9	292.8	308.4
20.0	240.1	243.9	254.8	272.6	294.0	313.0
22.5	226.5	232.8	245.8	267.6	294.7	319.5
25.0	217.4	220.5	235.8	262.8	295.5	328.8
27.5	202.9	207.7	225.0	256.0	298.5	339.2
30.0	190.0	194.7	212.6	247.5	298.5	354.5
32.5	180.0	182.8	200.1	237.6	300.7	370.0
35.0	168.2	172.5	188.7	226.2	299.0	384.2
37.5	158.0	161.8	175.9	214.9	295.3	401.7
40.0	149.3	152.0	165.7	202.3	289.7	424.6
42.5	140.6	143.4	156.1	191.2	284.1	448.8
45.0	132.4	135.3	145.9	178.5	276.2	476.3
47.5	125.4	127.6	137.1	167.2	268.3	509.0
50.0	117.7	119.6	129.3	158.1	260.6	546.6
52.5	107.1	108.8	118.8	147.9	252.6	588.3
55.0	91.3	93.0	103.9	134.9	239.0	622.8
57.5	70.8	73.6	84.4	113.7	218.1	632.0
60.0	51.5	54.0	62.7	87.6	186.7	594.2
62.5	39.0	40.8	46.0	61.8	140.2	491.5
65.0	32.6	34.1	36.6	43.6	90.8	333.0
67.5	28.9	30.3	32.0	35.2	54.1	176.3
70.0	26.0	26.7	28.5	31.0	35.7	78.2
72.5	23.6	23.3	25.3	27.5	28.4	36.9
75.0	20.9	20.2	21.7	24.2	24.0	24.2
77.5	18.2	16.8	18.5	21.0	19.2	18.1
80.0	8.9	14.6	15.3	17.7	14.2	13.6

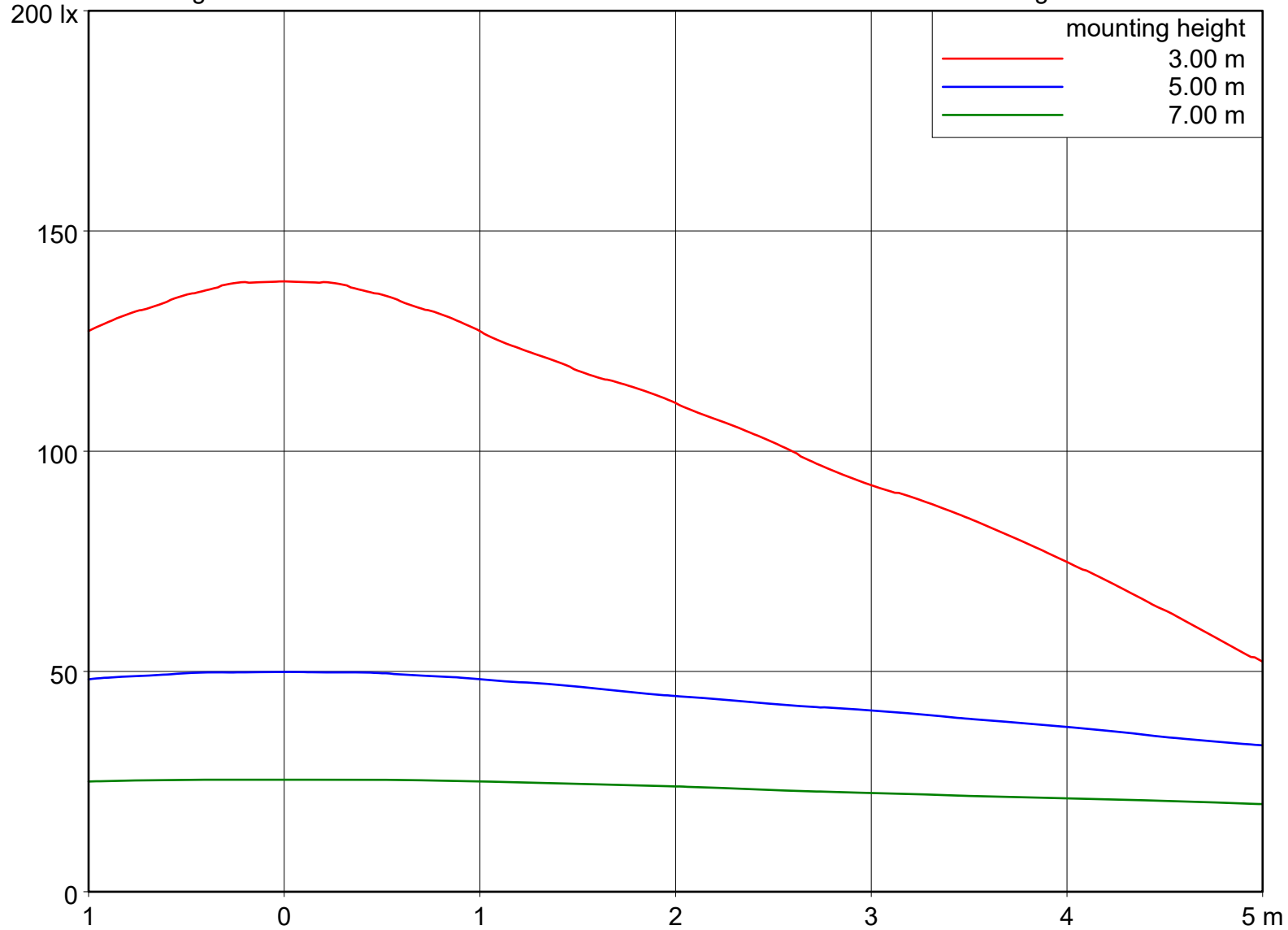


tilt angle : 0.0 °

swivel angle : 0.0 °

orientation : 0.0 °

light loss factor : 0.8



article code

Ecowat Co.

lamp(s)

1 x LED

total flux

5205 lm

LOR

100 %

tilt angle

0.0 °

