

file : STREETLIGHT\_LED\_SL150B-W\_150W\_5700K

**meas. no.** 00L1530  
**meas. date** 2/27/2022  
**operator** LightLab.

**meas. conditions**  
 ambient temperature 25.0 °C  
 voltage 230.00 V  
 current 0.654 A  
 power consumption 145.7 W  
 Leistungsfaktor 0.966

**meas. lamps** lum. flux [lm]  
 absolute measurement 16040.9 lm  
 luminous efficacy 110 lm/w

**measurement results**  
 flux of luminaire 16040.9 lm  
 classification / DIN A40  
 lower flux fraction 99.97 %  
 upper flux fraction 0.03 %  
 intensity maximum 9221.4 cd  
 in C-plane 265.0 °  
 at gamma 57.5 °  
 half value angle C0 : 68.1 °  
 C90 : 51.0 °  
 C270 : 45.8 °  
 tenth value angle C0 : 72.8 °  
 C90 : 71.7 °  
 C270 : 72.6 °

**article code**  
 Ecowat Co.

**lamp(s)**  
 1 x LED  
 total flux 16041 lm  
 LOR 100 %  
 tilt angle 0.0 °

**dimensions of luminaire**  
 length 860 mm  
 width 330 mm  
 height 60 mm

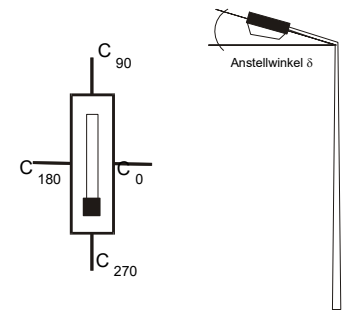
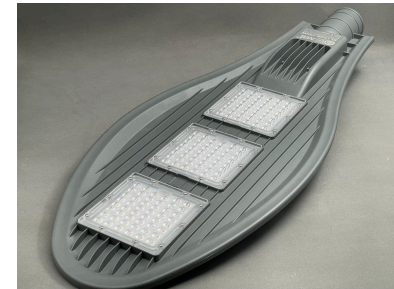
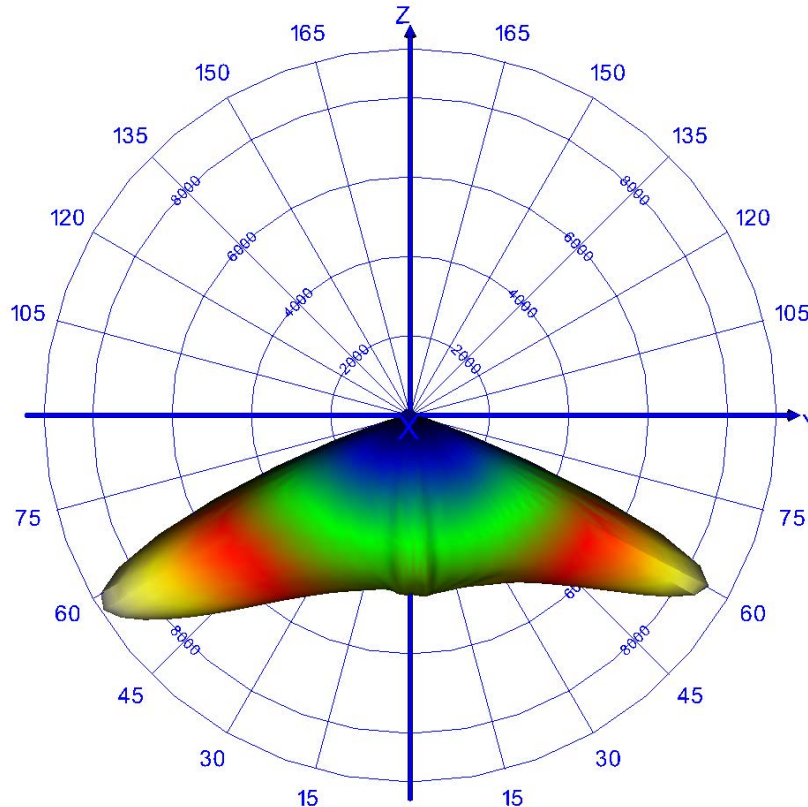
**dimensions of luminous area**  
 length 410 mm  
 width 100 mm  
 height C0 20 mm  
 height C90 20 mm  
 height C180 20 mm  
 height C270 20 mm

**reflector**

**cover**

**variant**

**remarks**



article code

Ecowat Co.

lamp(s)

1 x LED

total flux

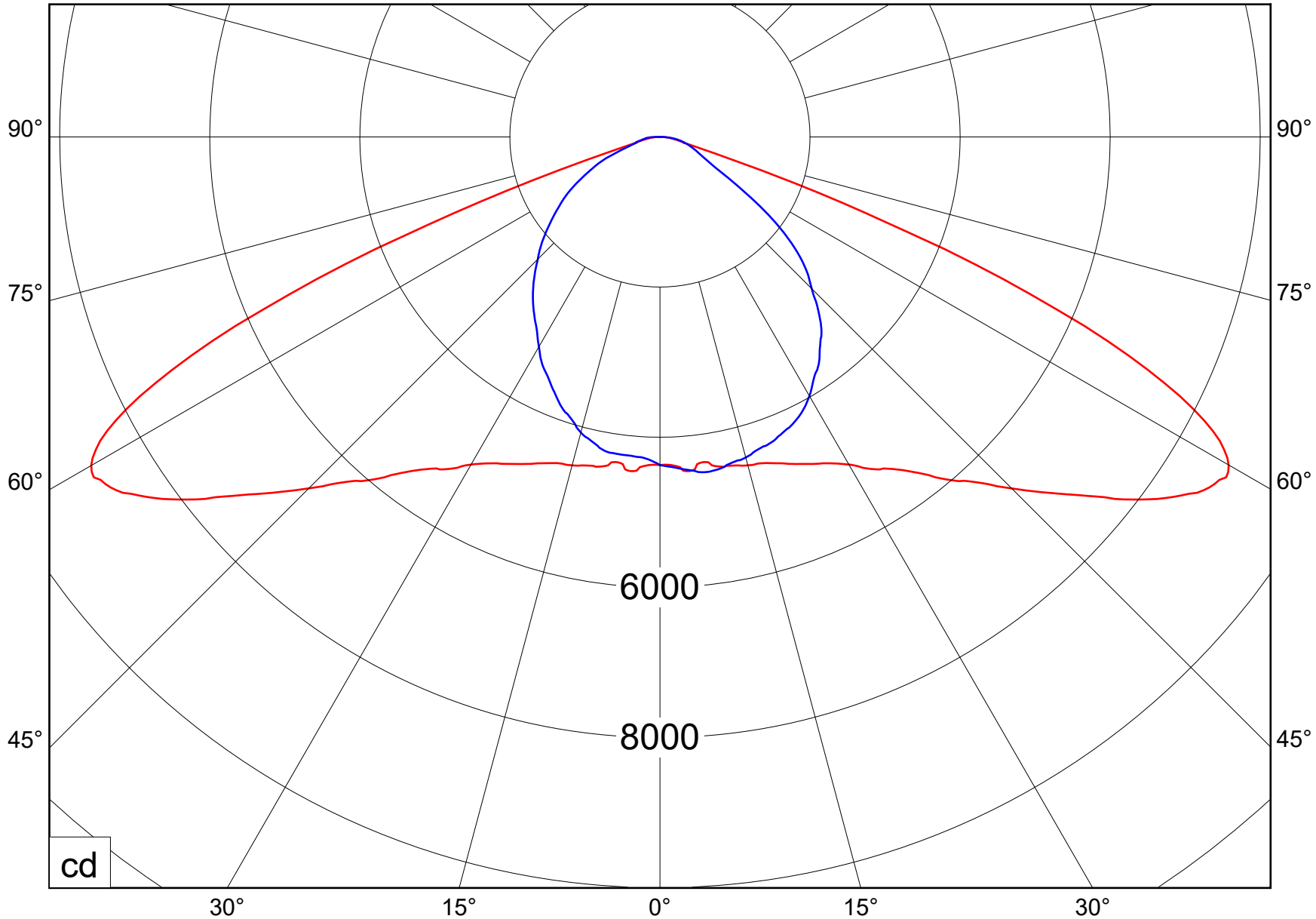
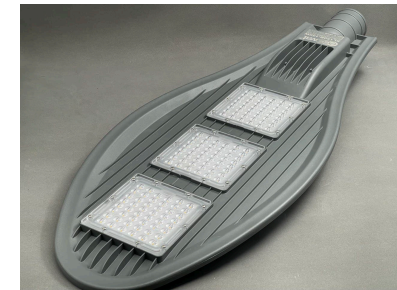
16041 lm

LOR

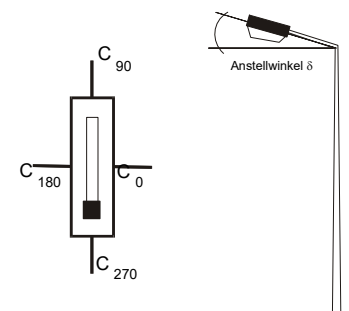
100 %

tilt angle

0.0 °



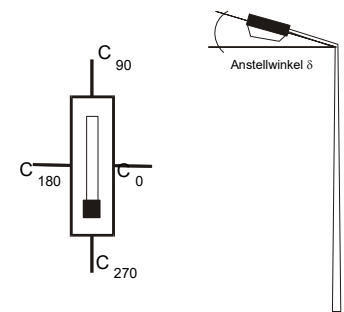
— C0.0-C180.0      — C90.0-C270.0



distance [m]	cone diameter [m]	E [lx]
2.0	9.95	E(0°) 1092 E(C0) 68.1° 413
4.0	19.90	E(0°) 273 E(C0) 68.1° 103
6.0	29.85	E(0°) 121 E(C0) 68.1° 46
8.0	39.80	E(0°) 68 E(C0) 68.1° 26
10.0	49.75	E(0°) 44 E(C0) 68.1° 17

article code  
Ecawat Co.

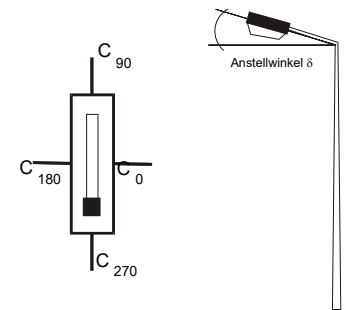
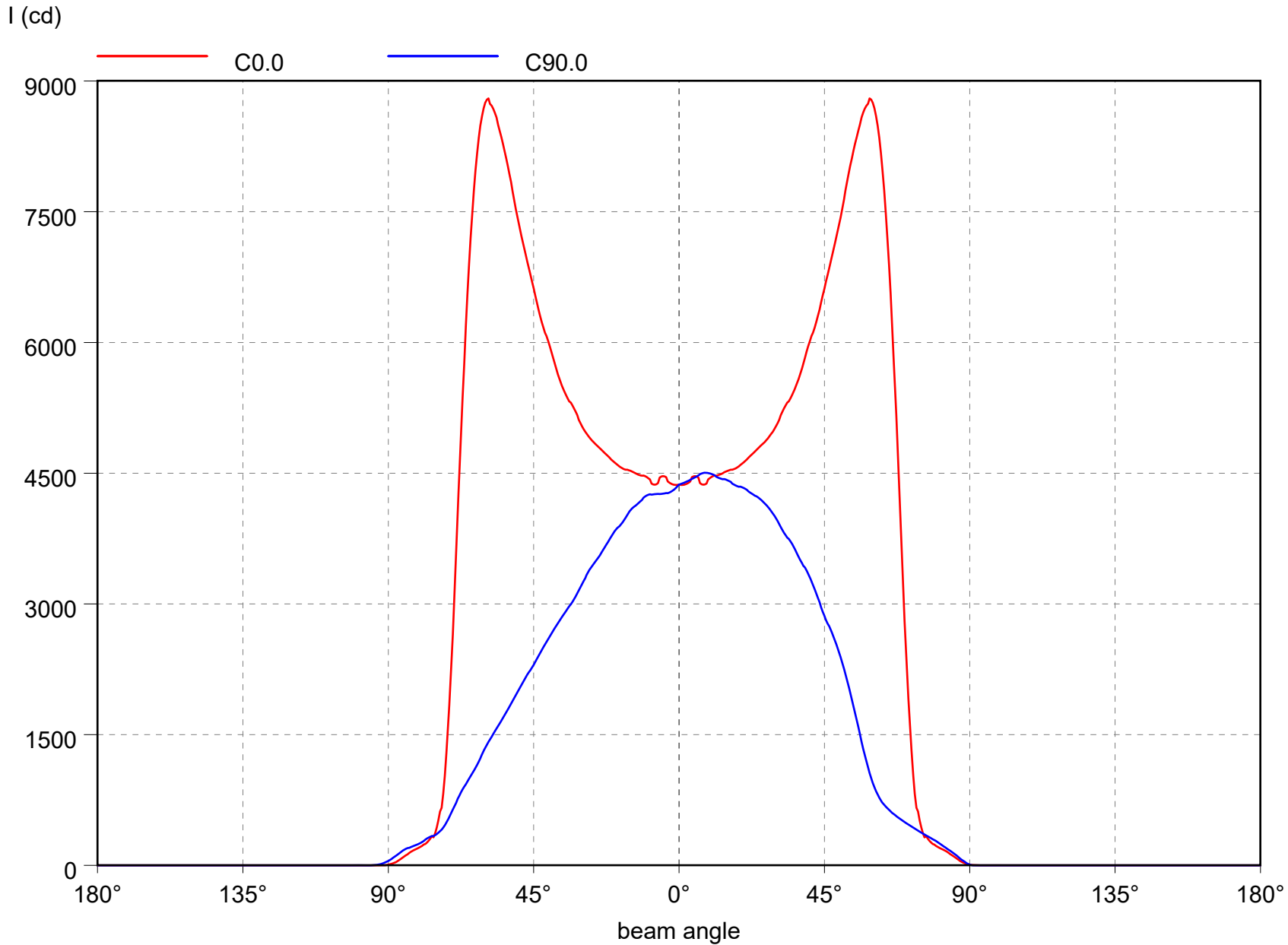
lamp(s)  
1 x LED  
total flux  
16041 lm  
LOR  
100 %  
tilt angle  
0.0 °



half value angle 136.2°

article code  
Ecowat Co.

lamp(s)  
1 x LED  
total flux  
16041 lm  
LOR  
100 %  
tilt angle  
0.0 °



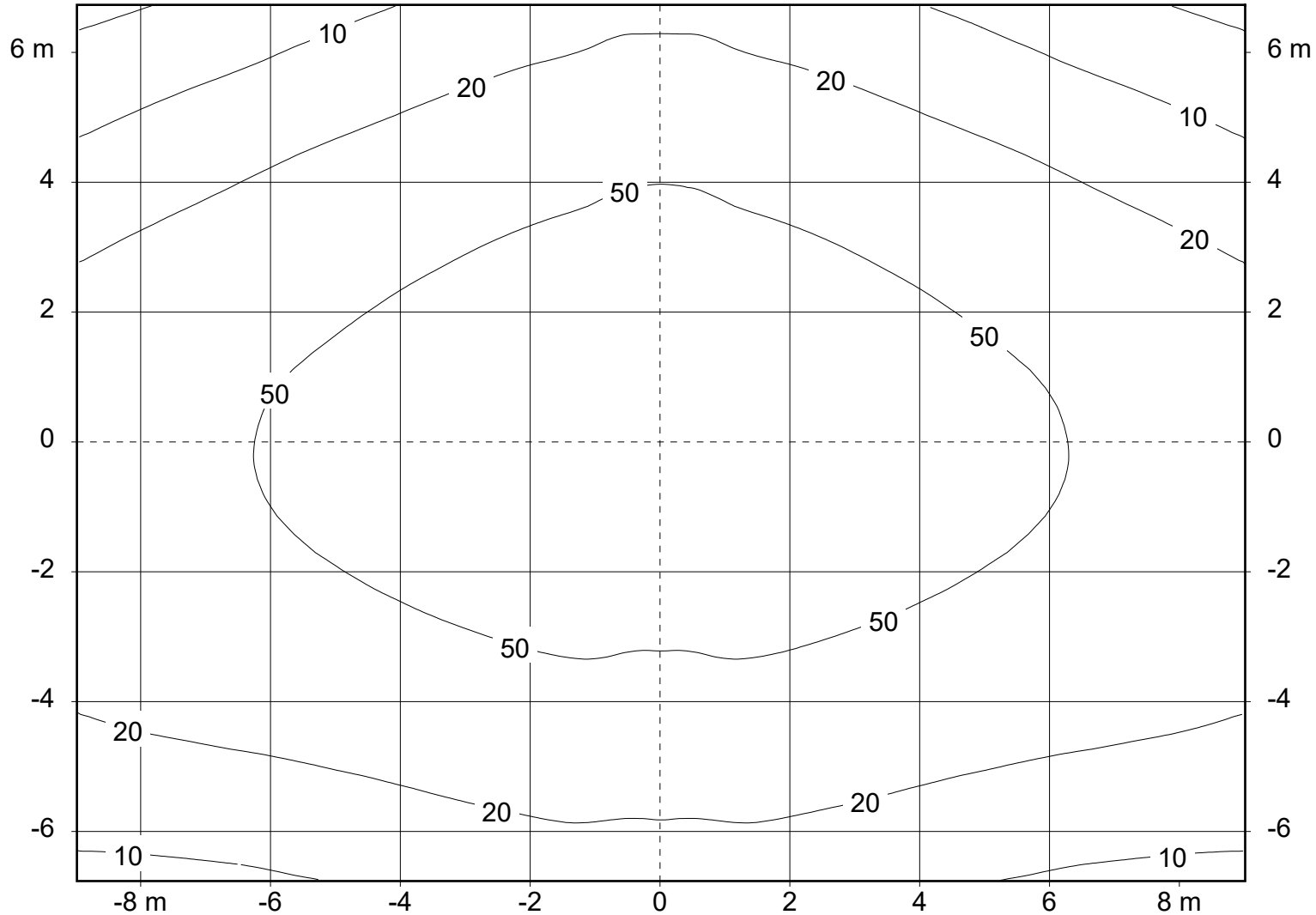
tilt angle : 0.0°

mounting height : 6.00 m

light loss factor : 0.8

swivel angle : 0.0°

orientation : 0.0°

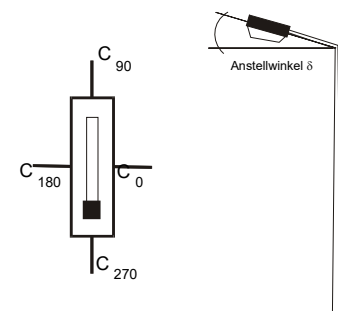


**article code**

Ecowat Co.

**lamp(s)**

1 x LED  
 total flux  
 16041 lm  
 LOR  
 100 %  
 tilt angle  
 0.0°

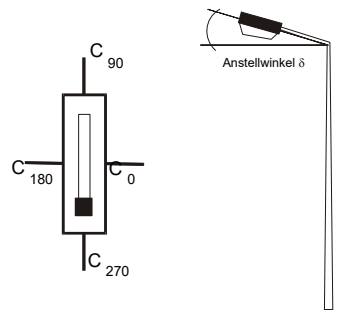


file : STREETLIGHT\_LED\_SL150B-W\_150W\_5700K

gamma / °	C 0	C 15	C 30	C 45	C 60	C 75	C 90	C 105	C 120	C 135	C 150	C 165	C 180	C 195	C 210	C 225	C 240	C 255
0.0	272.4	272.4	272.4	272.4	272.4	272.4	272.4	272.4	272.4	272.4	272.4	272.4	272.4	272.4	272.4	272.4	272.4	272.4
2.5	273.1	274.0	275.0	275.9	277.1	276.3	274.7	276.3	277.1	275.9	275.0	274.0	273.1	272.1	271.1	270.6	271.2	269.7
5.0	278.4	277.6	277.0	278.5	277.6	279.7	277.6	279.7	277.6	278.5	277.0	277.6	278.4	274.6	270.3	270.2	266.9	267.8
7.5	272.3	276.5	278.1	281.1	280.9	279.4	280.7	279.4	280.9	281.1	278.1	276.5	272.3	273.6	271.5	270.1	267.8	266.1
10.0	277.8	277.8	277.9	277.2	281.2	280.4	280.0	280.4	281.2	277.2	277.9	277.8	277.8	276.4	274.0	269.7	266.6	265.5
12.5	279.4	280.0	275.4	274.0	279.6	280.4	277.0	280.4	279.6	274.0	275.4	280.0	279.4	276.7	276.7	270.4	267.6	259.4
15.0	282.2	282.0	276.8	271.4	270.2	278.1	275.5	278.1	270.2	271.4	276.8	282.0	282.2	280.5	275.6	270.0	259.6	253.6
17.5	284.0	284.3	278.5	272.2	268.2	272.6	271.9	272.6	268.2	272.2	278.5	284.3	284.0	283.0	277.8	267.9	259.7	246.6
20.0	288.3	284.5	280.0	271.0	264.8	273.1	270.0	273.1	264.8	271.0	280.0	284.5	288.3	285.4	278.0	267.0	255.9	241.4
22.5	293.9	289.0	278.5	269.8	261.8	271.6	265.9	271.6	261.8	269.8	278.5	289.0	293.9	288.7	277.2	264.2	255.0	232.9
25.0	299.5	293.9	281.2	268.7	258.3	263.5	262.3	263.5	258.3	268.7	281.2	293.9	299.5	295.3	281.3	263.4	247.2	226.3
27.5	305.4	298.6	282.7	265.5	251.7	250.4	256.5	250.4	251.7	265.5	282.7	298.6	305.4	299.8	282.8	260.3	239.4	219.9
30.0	314.1	306.3	285.2	263.9	246.1	238.3	248.3	238.3	246.1	263.9	285.2	306.3	314.1	308.0	282.8	256.4	233.9	215.5
32.5	326.8	312.6	285.1	260.5	240.0	230.4	238.0	230.4	240.0	260.5	285.1	312.6	326.8	314.3	286.1	254.8	227.4	208.6
35.0	336.5	319.5	287.2	252.4	230.9	221.2	229.9	221.2	230.9	252.4	287.2	319.5	336.5	325.3	288.1	248.5	216.5	200.8
37.5	351.3	330.4	286.0	243.3	221.7	209.0	218.5	209.0	221.7	243.3	286.0	330.4	351.3	334.5	292.3	243.2	207.2	189.9
40.0	371.3	340.9	284.9	234.5	207.2	195.6	208.6	195.6	207.2	234.5	284.9	340.9	371.3	348.6	295.0	239.0	200.7	180.4
42.5	388.8	350.0	280.7	225.6	193.5	182.5	194.5	182.5	193.5	225.6	280.7	350.0	388.8	367.1	297.8	233.4	189.4	170.3
45.0	412.6	361.6	275.2	213.5	177.6	167.3	178.4	167.3	177.6	213.5	275.2	361.6	412.6	382.3	301.8	223.5	180.4	160.0
47.5	437.2	370.4	266.9	197.4	161.9	154.8	165.5	154.8	161.9	197.4	266.9	370.4	437.2	404.2	308.5	216.4	167.1	149.9
50.0	463.4	380.1	257.8	178.7	144.7	138.2	149.0	138.2	144.7	178.7	257.8	380.1	463.4	427.2	314.4	209.5	155.1	137.7
52.5	494.5	388.7	244.4	159.5	126.8	120.4	128.3	120.4	126.8	159.5	244.4	388.7	494.5	449.8	319.2	195.1	140.2	125.9
55.0	520.9	391.2	229.0	140.1	106.0	98.8	104.1	98.8	106.0	140.1	229.0	391.2	520.9	476.5	326.0	181.6	127.3	113.4
57.5	541.2	388.2	207.6	117.7	83.4	76.7	78.8	76.7	83.4	117.7	207.6	388.2	541.2	500.2	330.4	166.9	113.8	102.6
60.0	545.4	369.8	184.2	93.3	65.0	56.9	58.9	56.9	65.0	93.3	184.2	369.8	545.4	508.8	330.9	152.0	100.9	90.8
62.5	509.5	334.8	154.3	69.9	50.0	44.5	46.5	44.5	50.0	69.9	154.3	334.8	509.5	495.0	327.9	132.9	87.4	78.2
65.0	429.4	270.9	116.2	50.9	40.0	37.7	39.7	37.7	40.0	50.9	116.2	270.9	429.4	444.2	309.2	112.8	73.8	67.0
67.5	308.4	188.1	77.5	38.4	33.4	33.1	34.8	33.1	33.4	38.4	77.5	188.1	308.4	351.7	263.0	91.7	60.2	55.3
70.0	166.8	100.6	47.9	29.3	29.6	29.0	30.8	29.0	29.6	29.3	47.9	100.6	166.8	228.1	191.7	69.2	46.6	42.7
72.5	63.8	43.5	28.9	24.3	25.8	25.3	27.0	25.3	25.8	24.3	28.9	43.5	63.8	108.4	109.9	47.1	33.5	30.8
75.0	27.1	21.9	19.6	20.4	22.0	21.4	23.4	21.4	22.0	20.4	19.6	21.9	27.1	40.8	49.5	30.2	25.3	23.7
77.5	17.7	15.4	14.1	16.0	18.5	17.6	20.1	17.6	18.5	16.0	14.1	15.4	17.7	20.3	24.0	22.6	21.9	20.5
80.0	13.4	11.4	10.3	11.1	13.8	13.9	16.7	13.9	13.8	11.1	10.3	11.4	13.4	14.6	17.0	18.7	19.4	16.6
82.5	10.4	8.4	7.4	7.1	8.8	10.1	12.7	10.1	8.8	7.1	7.4	8.4	10.4	11.0	13.0	15.4	16.3	14.3

article code  
Ecowat Co.

lamp(s)  
1 x LED  
total flux  
16041 lm  
LOR  
100 %  
tilt angle  
0.0 °





luminaire : StreetLight\_LED\_SL150B-W\_150W\_5700K

file : STREETLIGHT\_LED\_SL150B-W\_150W\_5700K

gamma / °	C 270	C 285	C 300	C 315	C 330	C 345
0.0	272.4	272.4	272.4	272.4	272.4	272.4
2.5	267.2	269.7	271.2	270.6	271.1	272.1
5.0	265.9	267.8	266.9	270.2	270.3	274.6
7.5	265.5	266.1	267.8	270.1	271.5	273.6
10.0	264.6	265.5	266.6	269.7	274.0	276.4
12.5	259.3	259.4	267.6	270.4	276.7	276.7
15.0	254.0	253.6	259.6	270.0	275.6	280.5
17.5	245.3	246.6	259.7	267.9	277.8	283.0
20.0	238.8	241.4	255.9	267.0	278.0	285.4
22.5	229.4	232.9	255.0	264.2	277.2	288.7
25.0	220.1	226.3	247.2	263.4	281.3	295.3
27.5	212.2	219.9	239.4	260.3	282.8	299.8
30.0	201.3	215.5	233.9	256.4	282.8	308.0
32.5	190.4	208.6	227.4	254.8	286.1	314.3
35.0	181.9	200.8	216.5	248.5	288.1	325.3
37.5	173.2	189.9	207.2	243.2	292.3	334.5
40.0	163.9	180.4	200.7	239.0	295.0	348.6
42.5	153.9	170.3	189.4	233.4	297.8	367.1
45.0	143.5	160.0	180.4	223.5	301.8	382.3
47.5	134.4	149.9	167.1	216.4	308.5	404.2
50.0	123.9	137.7	155.1	209.5	314.4	427.2
52.5	113.4	125.9	140.2	195.1	319.2	449.8
55.0	103.6	113.4	127.3	181.6	326.0	476.5
57.5	94.0	102.6	113.8	166.9	330.4	500.2
60.0	84.1	90.8	100.9	152.0	330.9	508.8
62.5	71.9	78.2	87.4	132.9	327.9	495.0
65.0	61.9	67.0	73.8	112.8	309.2	444.2
67.5	52.2	55.3	60.2	91.7	263.0	351.7
70.0	39.9	42.7	46.6	69.2	191.7	228.1
72.5	28.7	30.8	33.5	47.1	109.9	108.4
75.0	22.4	23.7	25.3	30.2	49.5	40.8
77.5	19.9	20.5	21.9	22.6	24.0	20.3
80.0	16.1	16.6	19.4	18.7	17.0	14.6
82.5	13.5	14.3	16.3	15.4	13.0	11.0

article code

Ecowat Co.

lamp(s)

1 x LED

total flux

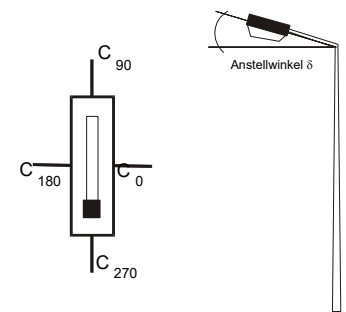
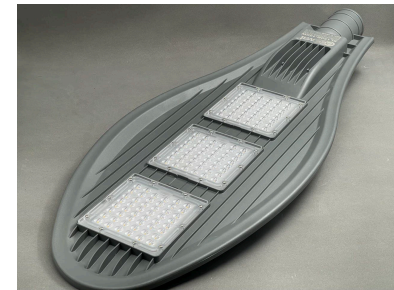
16041 lm

LOR

100 %

tilt angle

0.0 °

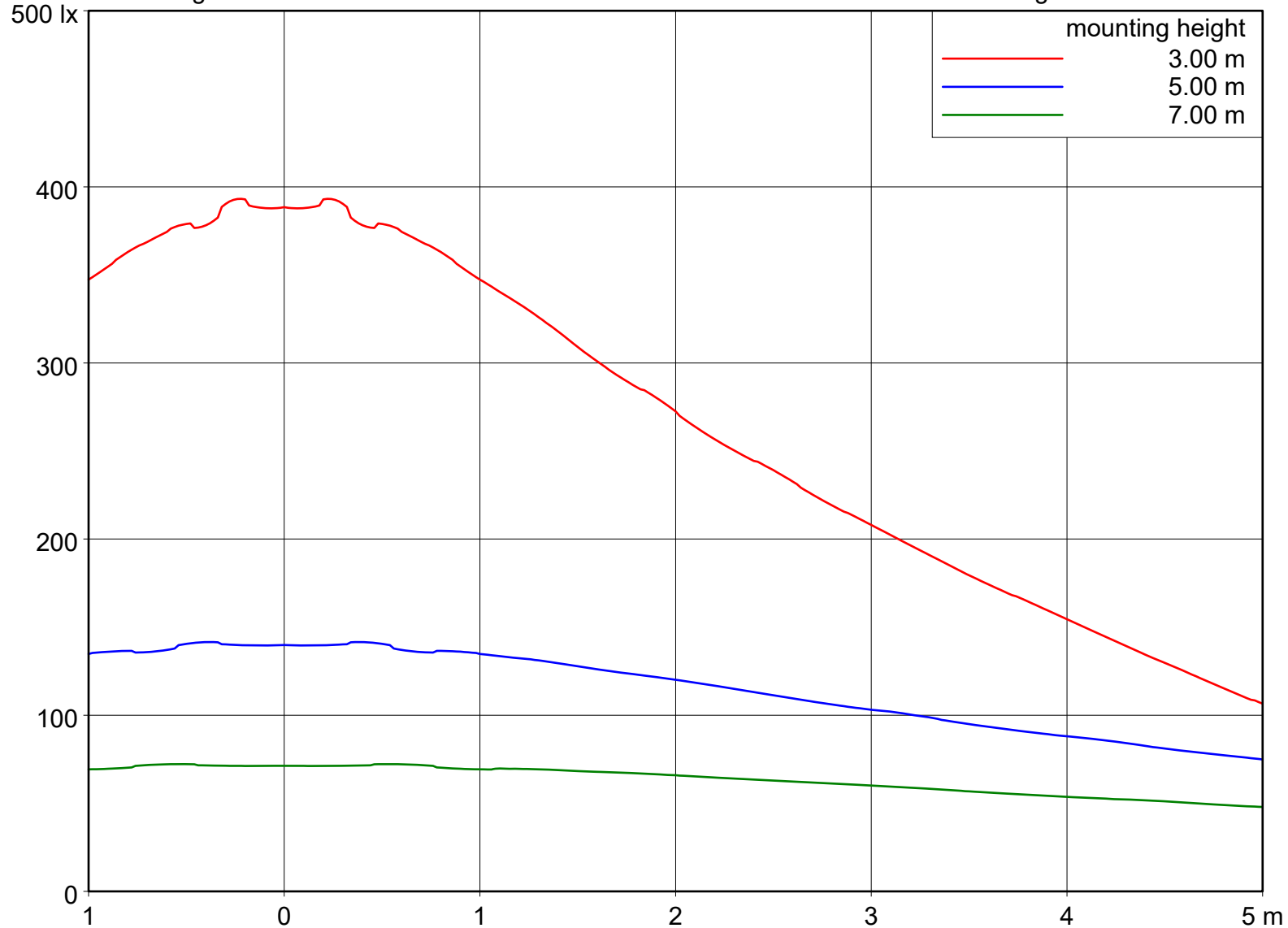


tilt angle : 0.0°

swivel angle : 0.0°

orientation : 0.0°

light loss factor : 0.8



**article code**

Ecowat Co.

**lamp(s)**

1 x LED  
 total flux  
 16041 lm  
 LOR  
 100 %  
 tilt angle  
 0.0°

