

file : STREETLIGHT\_LED\_SL100B-W\_100W\_5700K

**meas. no.** 00L1529  
**meas. date** 2/26/2022  
**operator** LightLab.

**measurement results**  
 flux of luminaire 10678.8 lm  
 classification / DIN A40  
 lower flux fraction 100.00 %  
 upper flux fraction 0.00 %  
 intensity maximum 9312.1 cd  
 in C-plane 267.5 °  
 at gamma 60.0 °  
 half value angle C0 : 67.0 °  
 C90 : 43.7 °  
 C270 : 40.2 °  
 tenth value angle C0 : 71.5 °  
 C90 : 58.0 °  
 C270 : 64.5 °

**article code**  
 Ecowat Co.

**lamp(s)**  
 1 x LED  
 total flux 10679 lm  
 LOR 100 %  
 tilt angle 0.0 °

**meas. conditions**  
 ambient temperature 25.0 °C  
 voltage 230.00 V  
 current 0.437 A  
 power consumption 97.5 W  
 Leistungsfaktor 0.966

**meas. lamps** lum. flux [lm]  
 absolute measurement 10678.8 lm  
 luminous efficacy 109 lm/w

**remarks**

**dimensions of luminaire**

length 720 mm  
 width 280 mm  
 height 90 mm

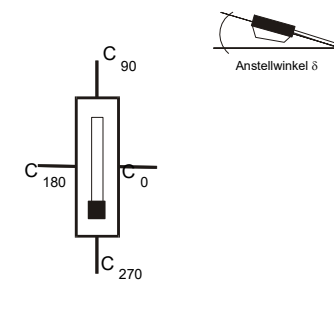
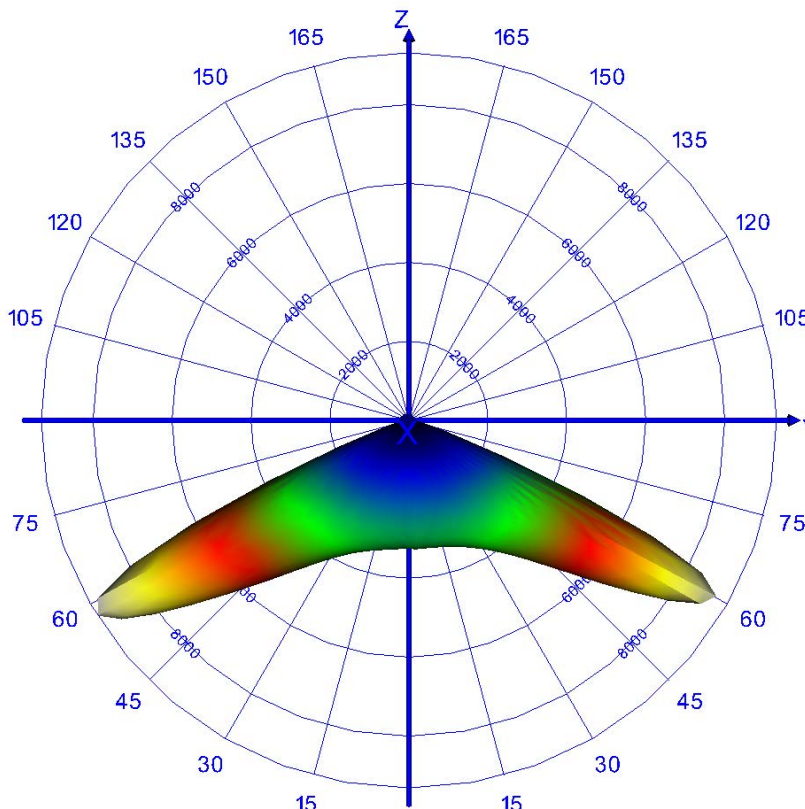
**dimensions of luminous area**

length 260 mm  
 width 100 mm  
 height C0 20 mm  
 height C90 20 mm  
 height C180 20 mm  
 height C270 20 mm

**reflector**

**cover**

**variant**



article code

Ecowat Co.

lamp(s)

1 x LED

total flux

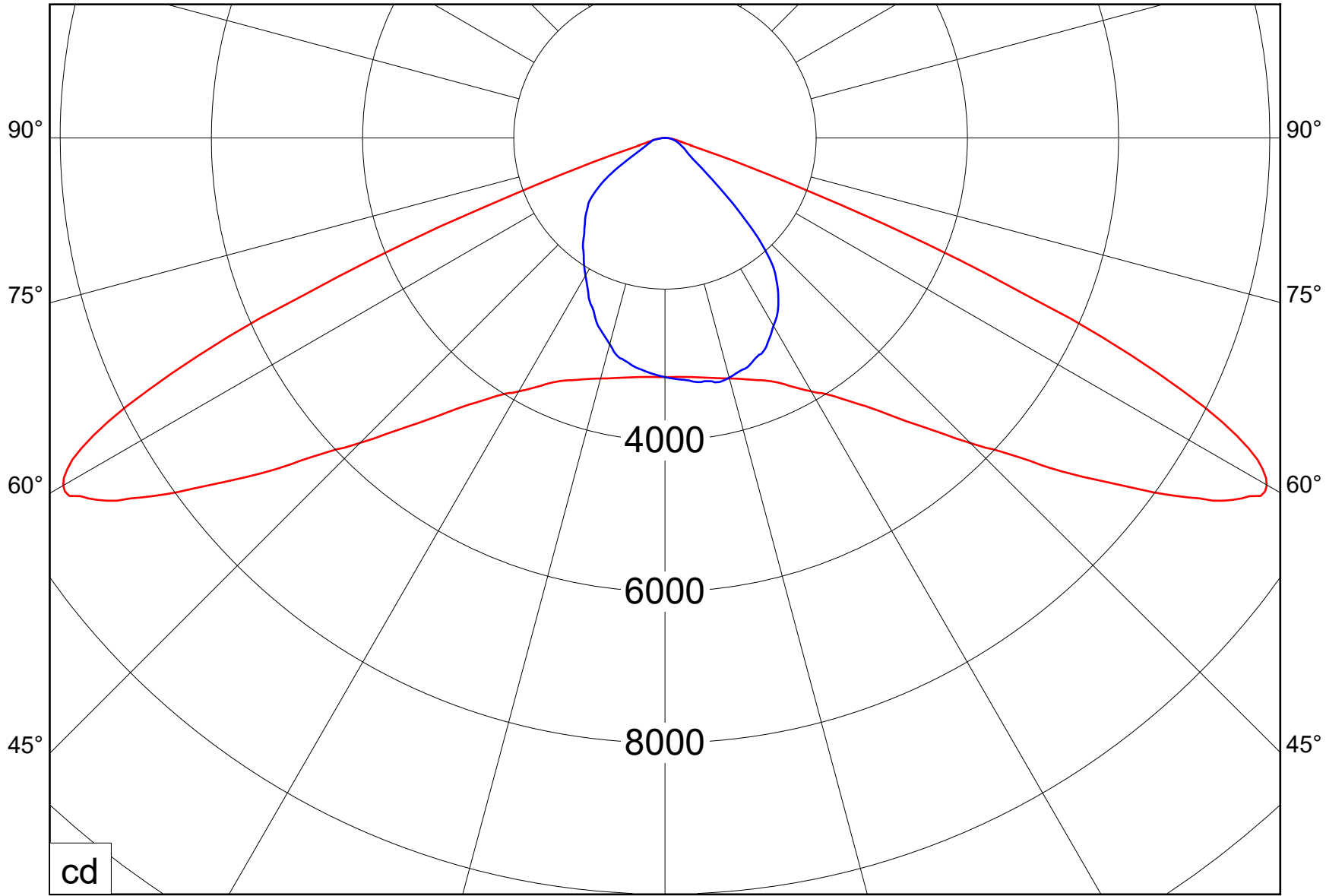
10679 lm

LOR

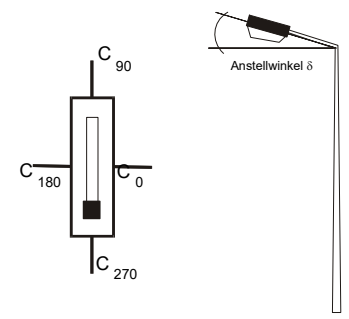
100 %

tilt angle

0.0 °



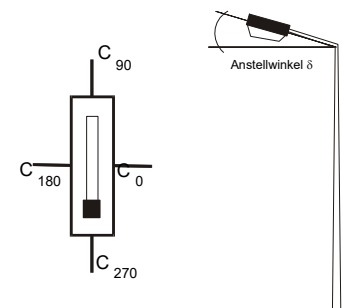
— C0.0-C180.0      — C90.0-C270.0



distance [m]	cone diameter [m]	E [lx]
2.0	9.42	E(0°) 790 E(C0) 67.0° 458
4.0	18.85	E(0°) 198 E(C0) 67.0° 115
6.0	28.27	E(0°) 88 E(C0) 67.0° 51
8.0	37.69	E(0°) 49 E(C0) 67.0° 29
10.0	47.12	E(0°) 32 E(C0) 67.0° 18

article code  
Ecowat Co.

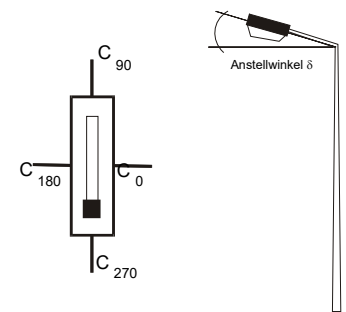
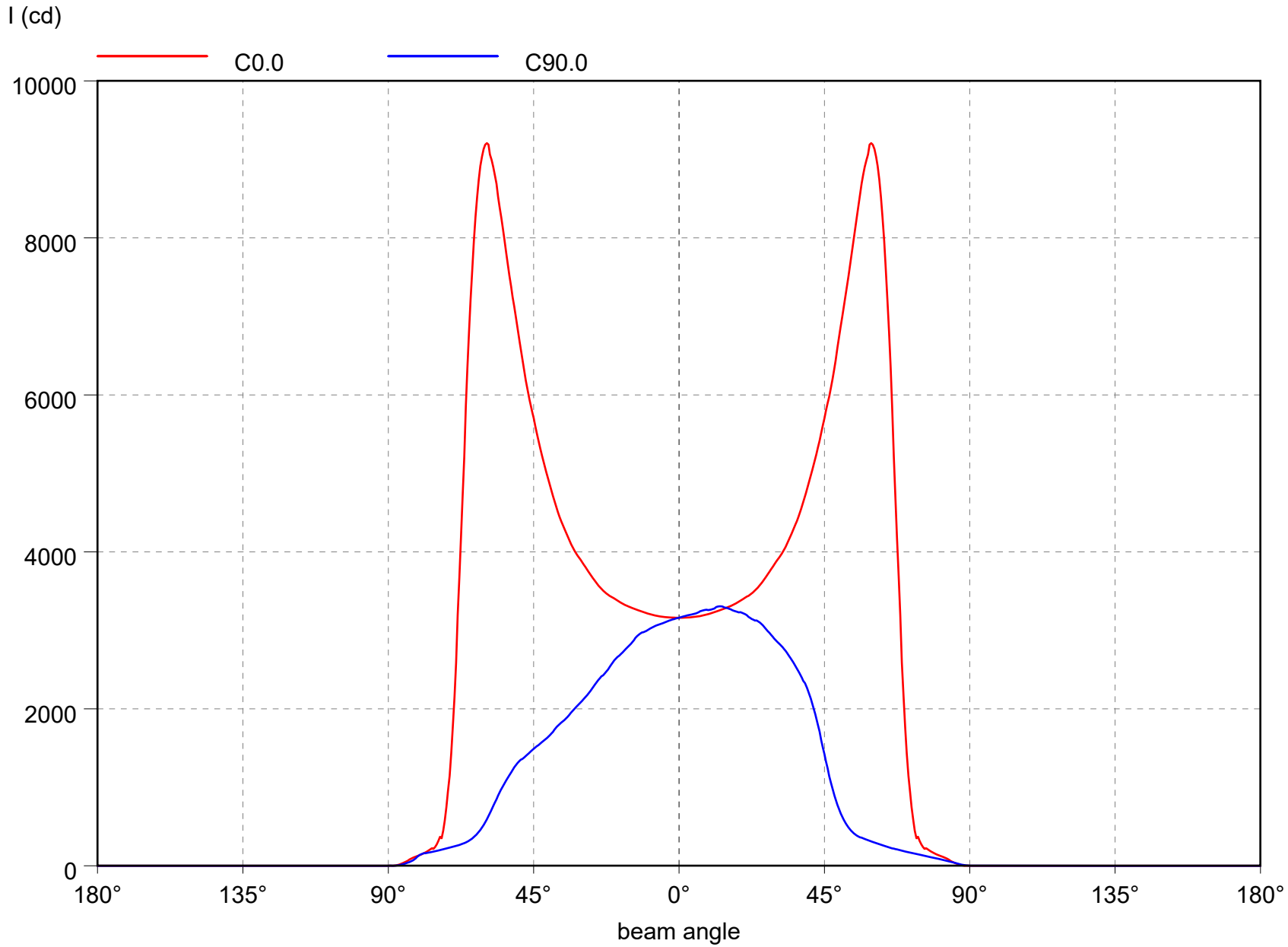
lamp(s)  
1 x LED  
total flux  
10679 lm  
LOR  
100 %  
tilt angle  
0.0 °



half value angle 134.0°

article code  
Ecowat Co.

lamp(s)  
1 x LED  
total flux  
10679 lm  
LOR  
100 %  
tilt angle  
0.0 °



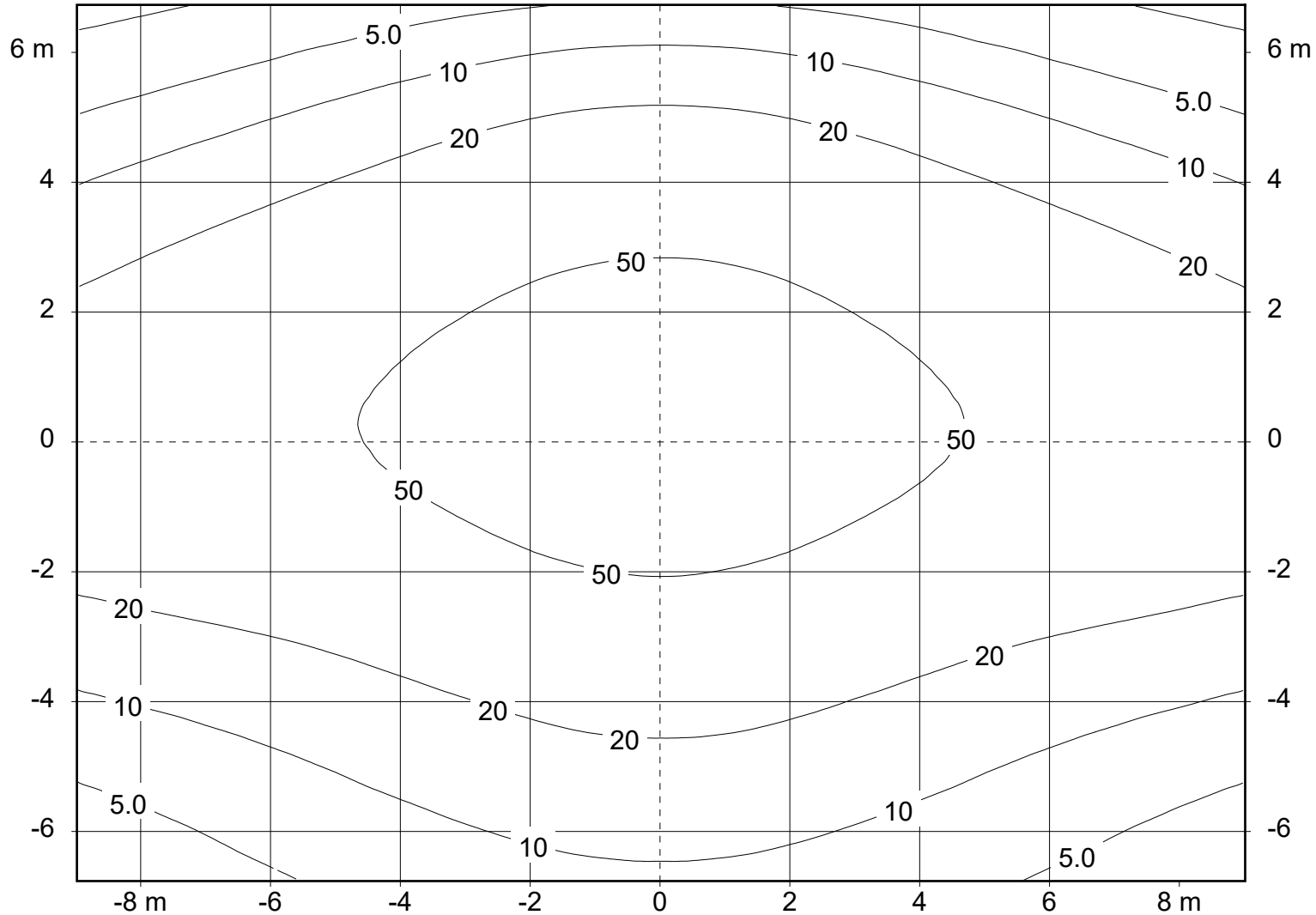
tilt angle : 0.0°

mounting height : 6.00 m

light loss factor : 0.8

swivel angle : 0.0°

orientation : 0.0°

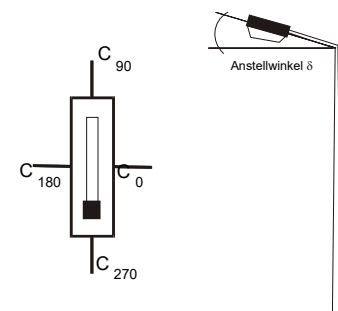


**article code**

Ecowat Co.

**lamp(s)**

1 x LED  
 total flux  
 10679 lm  
 LOR  
 100 %  
 tilt angle  
 0.0°

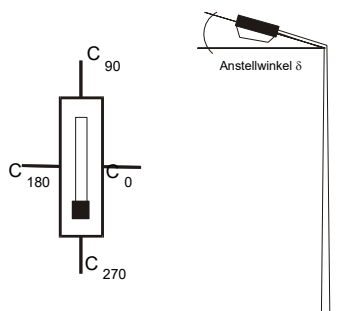


file : STREETLIGHT\_LED\_SL100B-W\_100W\_5700K

gamma / °	C 0	C 15	C 30	C 45	C 60	C 75	C 90	C 105	C 120	C 135	C 150	C 165	C 180	C 195	C 210	C 225	C 240	C 255
0.0	296.0	296.0	296.0	296.0	296.0	296.0	296.0	296.0	296.0	296.0	296.0	296.0	296.0	296.0	296.0	296.0	296.0	296.0
2.5	296.3	297.0	297.6	297.8	298.0	298.4	298.7	298.4	298.0	297.8	297.6	297.0	296.3	295.5	294.8	294.0	293.5	293.4
5.0	297.1	298.2	299.0	300.0	300.5	300.7	301.0	300.7	300.5	300.0	299.0	298.2	297.1	295.5	293.6	291.9	290.7	289.9
7.5	298.6	300.0	301.5	302.3	303.4	304.2	304.8	304.2	303.4	302.3	301.5	300.0	298.6	296.1	292.8	290.3	287.1	286.0
10.0	301.4	303.3	304.9	305.8	306.5	306.3	305.9	306.3	306.5	305.8	304.9	303.3	301.4	297.8	293.0	288.4	283.1	280.3
12.5	304.9	306.8	308.5	307.9	308.2	307.5	309.5	307.5	308.2	307.9	308.5	306.8	304.9	300.1	293.1	284.6	277.9	274.5
15.0	308.4	311.6	311.9	311.6	308.5	307.6	307.3	307.6	308.5	311.6	311.9	311.6	308.4	301.7	292.4	281.8	271.9	267.0
17.5	312.8	316.4	316.4	313.3	308.6	305.8	303.6	305.8	308.6	313.3	316.4	316.4	312.8	304.2	292.0	277.5	265.5	257.4
20.0	318.7	322.4	320.1	315.2	308.0	303.2	301.1	303.2	308.0	315.2	320.1	322.4	318.7	307.8	291.0	272.7	256.7	247.8
22.5	325.1	329.5	325.4	317.5	306.0	298.8	294.6	298.8	306.0	317.5	325.4	329.5	325.1	311.2	291.2	267.5	248.0	236.3
25.0	334.6	337.5	330.8	314.8	302.7	292.2	290.4	292.2	302.7	314.8	330.8	337.5	334.6	316.6	290.7	260.5	237.7	225.4
27.5	348.1	349.8	335.4	314.2	295.9	283.8	280.1	283.8	295.9	314.2	335.4	349.8	348.1	324.1	289.0	251.7	225.5	212.2
30.0	362.4	359.2	340.0	311.8	288.0	273.7	269.0	273.7	288.0	311.8	340.0	359.2	362.4	332.8	286.2	244.1	214.2	200.7
32.5	376.9	375.2	344.0	307.1	278.1	261.9	258.9	261.9	278.1	307.1	344.0	375.2	376.9	341.2	284.3	234.9	202.5	188.7
35.0	397.7	390.5	347.2	300.9	267.0	247.6	245.0	247.6	267.0	300.9	347.2	390.5	397.7	354.2	282.2	223.3	190.6	177.7
37.5	422.2	407.3	349.5	291.5	253.0	232.2	228.1	232.2	253.0	291.5	349.5	407.3	422.2	365.2	277.1	210.4	180.0	168.5
40.0	454.5	426.3	349.5	278.6	236.1	214.0	208.5	214.0	236.1	278.6	349.5	426.3	454.5	380.7	271.5	200.9	169.1	159.8
42.5	490.8	449.8	345.9	266.4	216.1	185.9	176.0	185.9	216.1	266.4	345.9	449.8	490.8	397.4	264.5	189.3	160.3	149.2
45.0	534.0	473.0	342.5	248.1	184.4	144.5	133.1	144.5	184.4	248.1	342.5	473.0	534.0	417.3	257.2	178.7	150.2	141.9
47.5	580.2	495.4	333.6	221.7	142.9	102.4	91.9	102.4	142.9	221.7	333.6	495.4	580.2	439.6	249.0	168.1	141.3	133.3
50.0	642.4	515.7	320.5	185.0	101.6	69.7	63.2	69.7	101.6	185.0	320.5	515.7	642.4	461.0	240.5	157.9	131.9	124.3
52.5	704.2	528.3	296.0	138.7	68.5	48.9	45.4	48.9	68.5	138.7	296.0	528.3	704.2	484.1	229.9	146.8	120.3	110.8
55.0	772.7	532.4	256.7	95.8	48.3	38.5	36.3	38.5	48.3	95.8	256.7	532.4	772.7	501.5	215.3	133.3	104.0	94.0
57.5	833.9	524.0	206.3	65.6	38.2	33.3	31.8	33.3	38.2	65.6	206.3	524.0	833.9	508.8	196.4	113.2	84.1	73.6
60.0	860.5	487.2	151.3	46.3	33.6	29.5	28.5	29.5	33.6	46.3	151.3	487.2	860.5	485.8	168.3	86.9	62.6	54.5
62.5	798.1	407.5	104.1	35.7	30.1	26.2	25.2	26.2	30.1	35.7	104.1	407.5	798.1	416.2	129.4	61.6	45.9	40.7
65.0	636.9	292.3	68.2	31.2	26.6	23.3	21.9	23.3	26.6	31.2	68.2	292.3	636.9	303.7	86.2	43.4	35.8	32.0
67.5	391.7	172.1	43.8	27.8	23.9	20.3	19.6	20.3	23.9	27.8	43.8	172.1	391.7	181.5	53.1	34.0	29.5	27.1
70.0	165.8	85.3	30.4	24.4	20.9	17.4	17.1	17.4	20.9	24.4	30.4	85.3	165.8	89.9	35.6	29.0	25.5	23.5
72.5	54.3	38.8	23.9	21.6	17.9	14.9	14.9	14.9	17.9	21.6	23.9	38.8	54.3	42.7	26.8	25.5	22.1	20.4
75.0	25.7	22.3	18.4	18.5	14.4	12.6	12.9	12.6	14.4	18.5	18.4	22.3	25.7	24.8	21.7	22.4	19.2	17.3
77.5	18.3	16.6	13.1	14.1	11.1	10.5	10.6	10.5	11.1	14.1	13.1	16.6	18.3	17.0	17.1	19.4	16.2	13.8
80.0	13.2	12.5	9.2	9.2	8.2	8.1	8.6	8.1	8.2	9.2	9.2	12.5	13.2	12.7	13.1	16.6	12.8	11.5

article code  
Ecowat Co.

lamp(s)  
1 x LED  
total flux  
10679 lm  
LOR  
100 %  
tilt angle  
0.0 °



luminaire : StreetLight\_LED\_SL100B-W\_100W\_5700K

file : STREETLIGHT\_LED\_SL100B-W\_100W\_5700K

gamma / °	C 270	C 285	C 300	C 315	C 330	C 345
0.0	296.0	296.0	296.0	296.0	296.0	296.0
2.5	293.3	293.4	293.5	294.0	294.8	295.5
5.0	289.5	289.9	290.7	291.9	293.6	295.5
7.5	285.9	286.0	287.1	290.3	292.8	296.1
10.0	280.6	280.3	283.1	288.4	293.0	297.8
12.5	275.6	274.5	277.9	284.6	293.1	300.1
15.0	264.5	267.0	271.9	281.8	292.4	301.7
17.5	254.6	257.4	265.5	277.5	292.0	304.2
20.0	245.3	247.8	256.7	272.7	291.0	307.8
22.5	231.7	236.3	248.0	267.5	291.2	311.2
25.0	221.6	225.4	237.7	260.5	290.7	316.6
27.5	208.2	212.2	225.5	251.7	289.0	324.1
30.0	196.8	200.7	214.2	244.1	286.2	332.8
32.5	186.7	188.7	202.5	234.9	284.3	341.2
35.0	175.8	177.7	190.6	223.3	282.2	354.2
37.5	167.1	168.5	180.0	210.4	277.1	365.2
40.0	155.8	159.8	169.1	200.9	271.5	380.7
42.5	147.3	149.2	160.3	189.3	264.5	397.4
45.0	139.5	141.9	150.2	178.7	257.2	417.3
47.5	130.8	133.3	141.3	168.1	249.0	439.6
50.0	122.5	124.3	131.9	157.9	240.5	461.0
52.5	108.2	110.8	120.3	146.8	229.9	484.1
55.0	91.6	94.0	104.0	133.3	215.3	501.5
57.5	71.3	73.6	84.1	113.2	196.4	508.8
60.0	51.8	54.5	62.6	86.9	168.3	485.8
62.5	38.2	40.7	45.9	61.6	129.4	416.2
65.0	29.8	32.0	35.8	43.4	86.2	303.7
67.5	25.6	27.1	29.5	34.0	53.1	181.5
70.0	22.7	23.5	25.5	29.0	35.6	89.9
72.5	20.3	20.4	22.1	25.5	26.8	42.7
75.0	17.7	17.3	19.2	22.4	21.7	24.8
77.5	16.0	13.8	16.2	19.4	17.1	17.0
80.0	13.4	11.5	12.8	16.6	13.1	12.7

article code

Ecowat Co.

lamp(s)

1 x LED

total flux

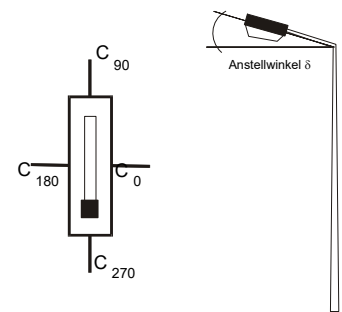
10679 lm

LOR

100 %

tilt angle

0.0 °

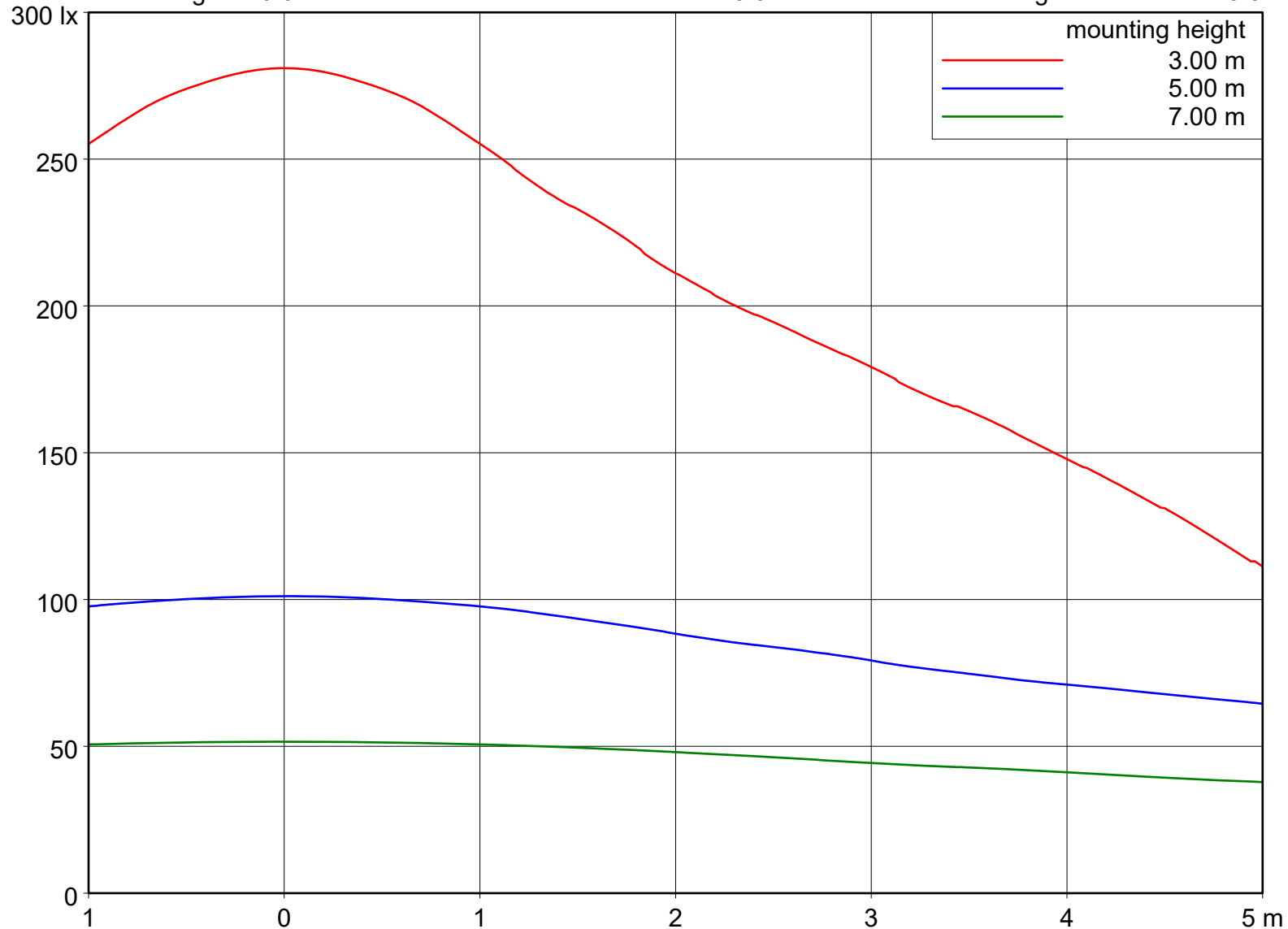


tilt angle : 0.0°

swivel angle : 0.0°

orientation : 0.0°

light loss factor : 0.8



article code

Ecowat Co.

lamp(s)

1 x LED

total flux

10679 lm

LOR

100 %

tilt angle

0.0°

