

meas. no. 96L672
meas. date 10/11/2017
operator LightLab

meas. conditions
 ambient temperature 25.0 °C
 voltage 230.00 V
 current 0.492 A
 power consumption 109.9 W

meas. lamps lum. flux [lm]
 1 7470.0 lm

measurement results
 flux of luminaire 7470.1 lm
 classification / DIN A41
 lower flux fraction 98.19 %
 upper flux fraction 1.81 %
 intensity maximum 832.8 cd/klm
 in C-plane 180.0 °
 at gamma 27.5 °
 half value angle C0 : 62.1 °
 C90 : 38.2 °
 C270 : 12.6 °
 tenth value angle C0 : 68.2 °
 C90 : 71.0 °
 C270 : 54.1 °

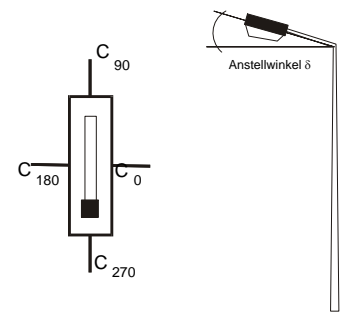
article code
 Ecowat Co.

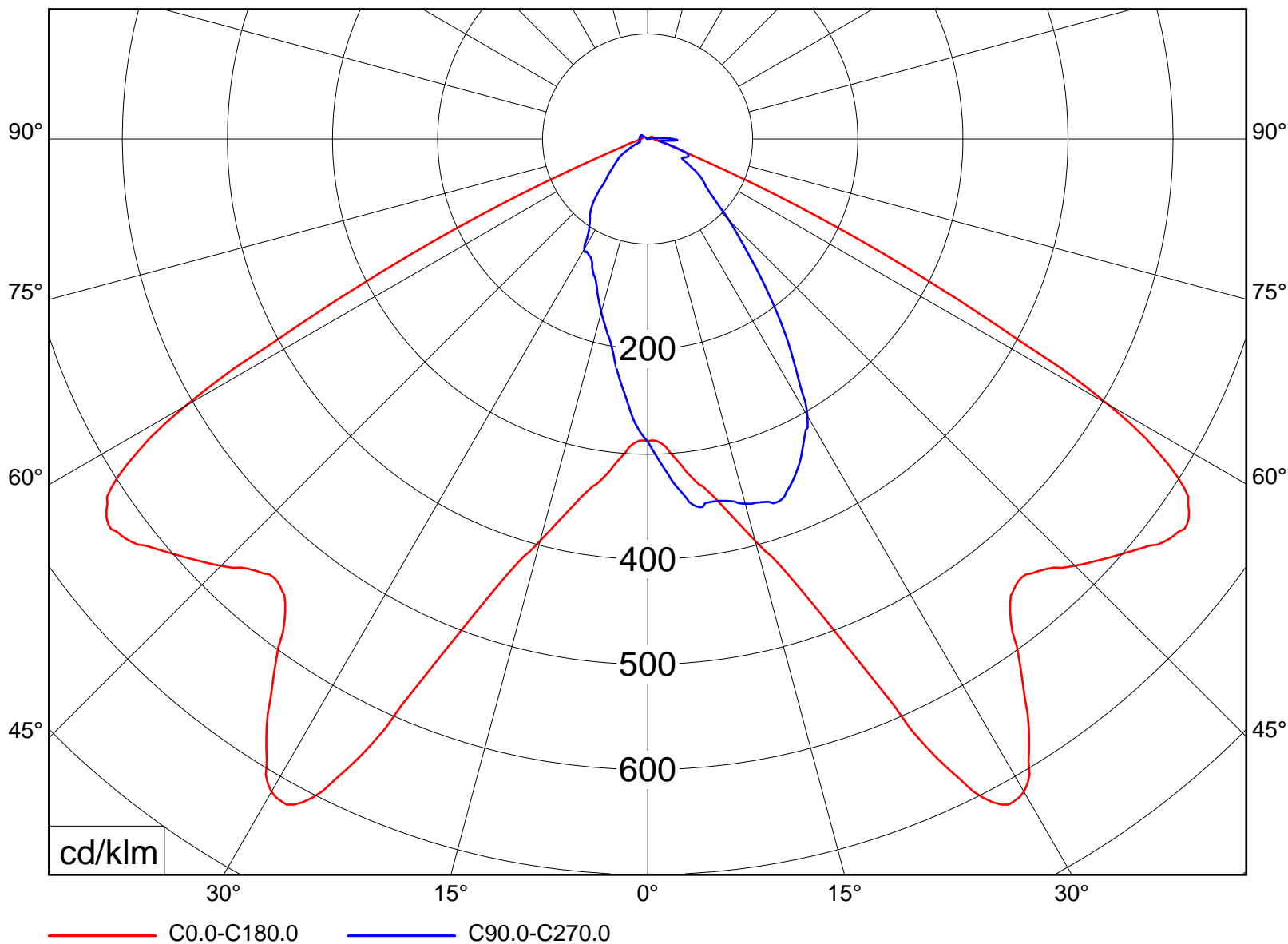
lamp(s)
 1 x LED
 total flux 7470 lm
 LOR
 100 %
 tilt angle 0.0 °

file
 STREETLIGHT_

dimensions of luminaire
 length 460 mm
 width 350 mm
 height 140 mm

dimensions of luminous area
 length 100 mm
 width 190 mm
 height C0 10 mm
 height C90 10 mm
 height C180 10 mm
 height C270 10 mm

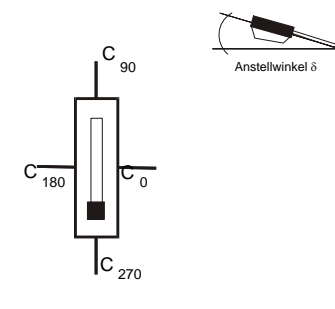




article code
Ecowat Co.

lamp(s)
1 x LED
total flux
7470 lm
LOR
100 %
tilt angle
0.0 °

file
STREETLIGHT_



distance [m]	cone diameter [m]	E [lx]
1.0	3.78	E(0°) 2149 E(C0) 62.1° 1274
2.0	7.55	E(0°) 537 E(C0) 62.1° 319
3.0	11.33	E(0°) 239 E(C0) 62.1° 142
4.0	15.11	E(0°) 134 E(C0) 62.1° 80
5.0	18.89	E(0°) 86 E(C0) 62.1° 51
6.0	22.66	E(0°) 60 E(C0) 62.1° 35

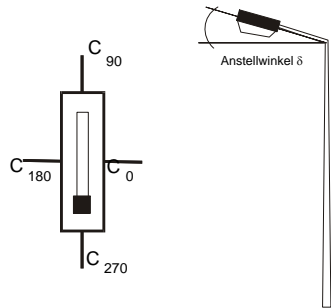
half value angle 124.2°

article code
Ecowat Co.

lamp(s)
1 x LED
total flux
7470 lm

LOR
100 %
tilt angle
0.0 °

file
STREETLIGHT_



article code

Ecowat Co.

lamp(s)

1 x LED

total flux

7470 lm

LOR

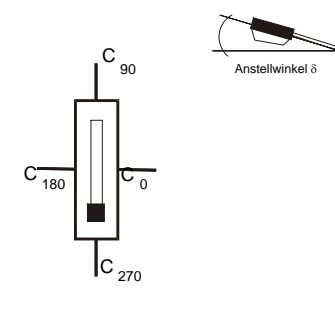
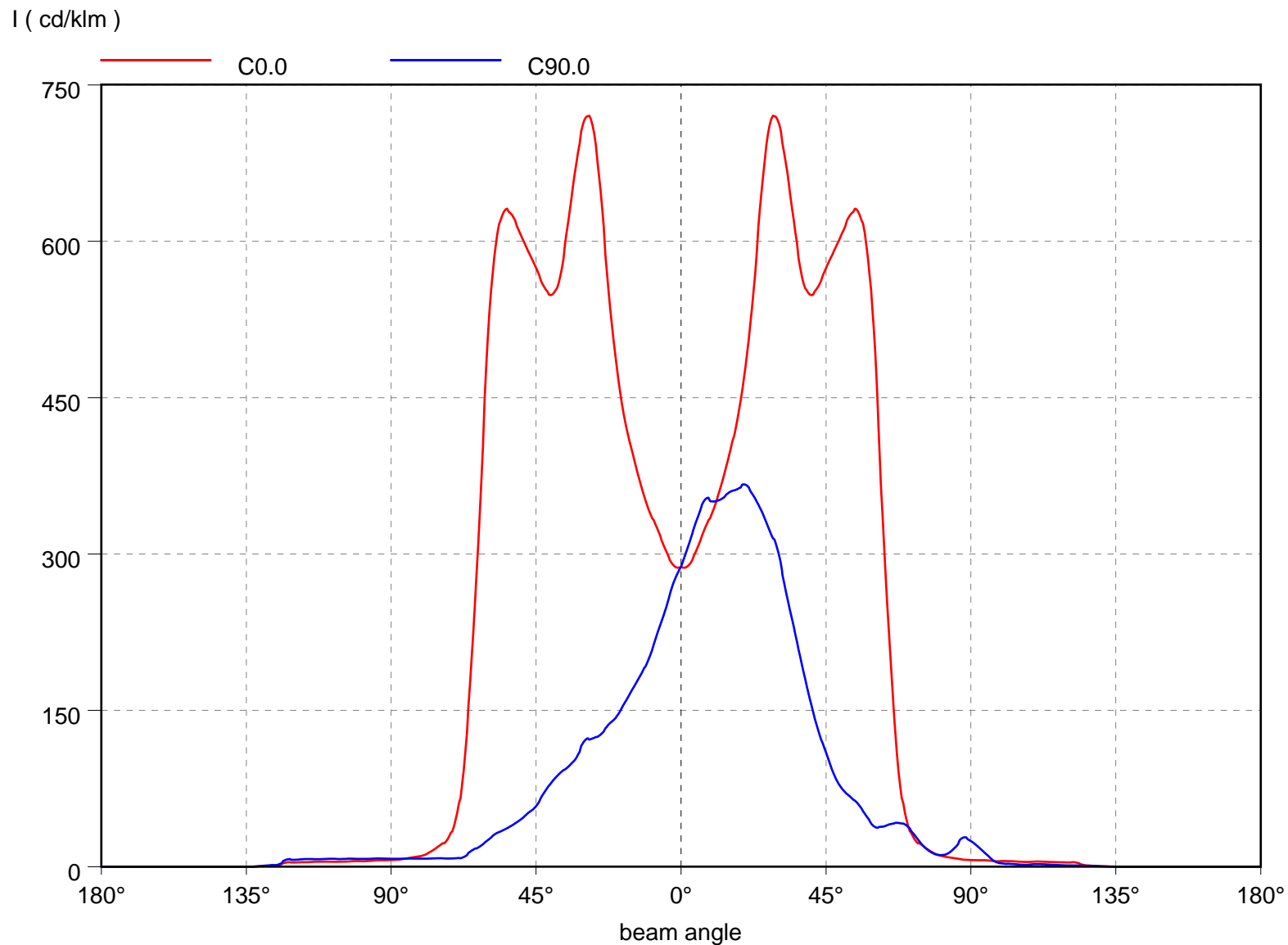
100 %

tilt angle

0.0 °

file

STREETLIGHT_



tilt angle : 0.0°
Schwenkwinkel : 0.0°

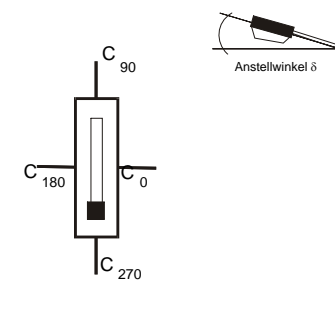
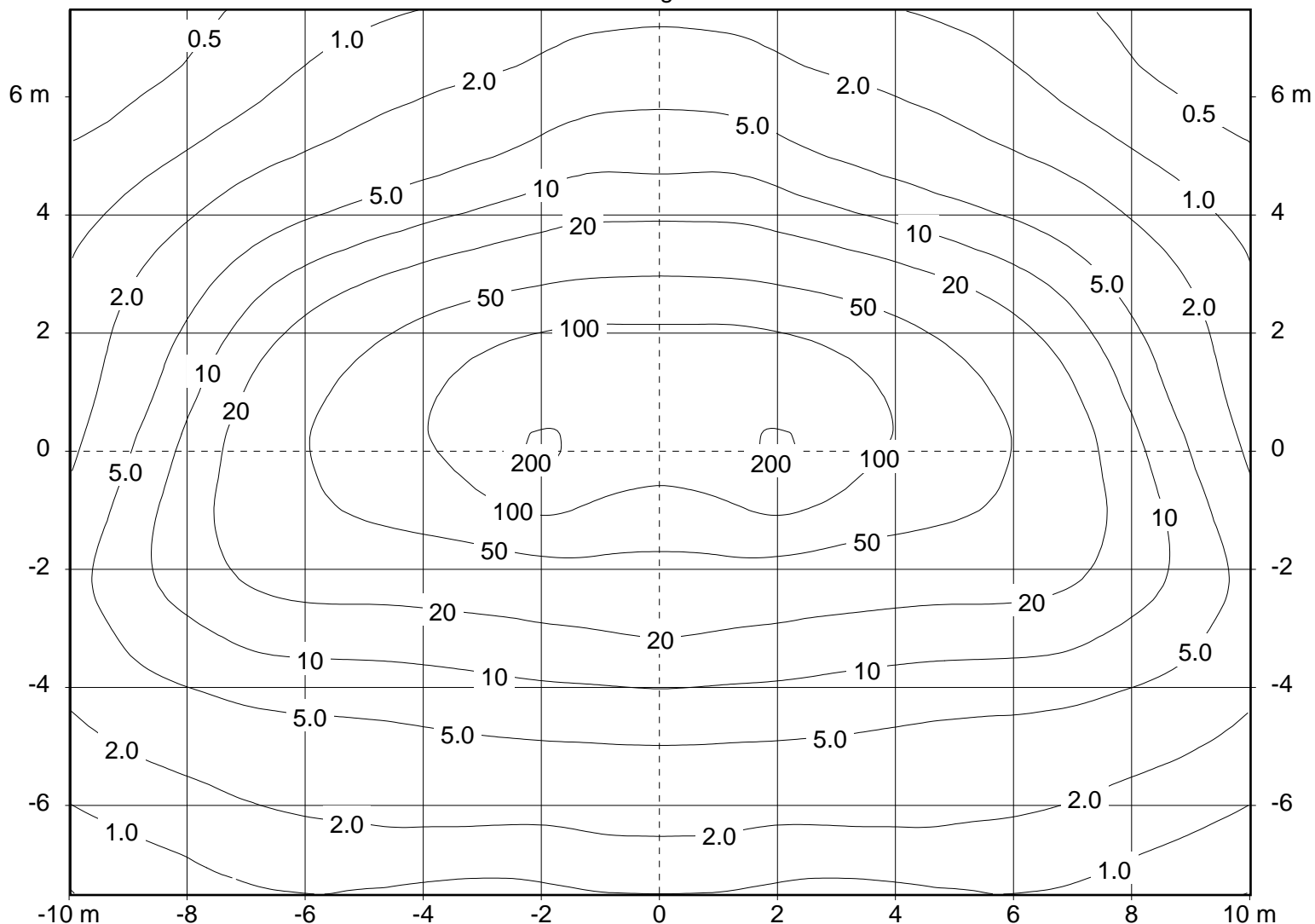
Lichtpunkthöhe : 4.0 m
Orientierung : 0.0°

Verminderungsfaktor : 1.0

article code
Ecowat Co.

lamp(s)
1 x LED
total flux
7470 lm
LOR
100 %
tilt angle
0.0°

file
STREETLIGHT_



gamma / °	C 0	C 15	C 30	C 45	C 60	C 75	C 90	C 105	C 120	C 135	C 150	C 165	C 180	C 195	C 210	C 225	C 240
0	287.7	287.7	287.7	287.7	287.7	287.7	287.7	287.7	287.7	287.7	287.7	287.7	287.7	287.7	287.7	287.7	287.7
5	305.3	313.9	322.5	327.6	331.4	333.3	333.8	333.3	331.4	327.6	322.5	313.9	305.3	292.9	280.1	267.3	255.4
10	342.1	361.8	365.5	363.4	356.0	351.7	350.4	351.7	356.0	363.4	365.5	361.8	342.1	312.3	278.7	242.2	216.3
15	395.9	410.9	392.8	370.2	364.3	360.1	359.2	360.1	364.3	370.2	392.8	410.9	395.9	344.2	276.0	216.5	188.6
20	479.8	487.7	422.1	395.5	386.0	371.7	366.5	371.7	386.0	395.5	422.1	487.7	479.8	402.4	279.2	205.6	168.9
25	648.3	582.7	459.4	423.5	389.3	353.0	341.1	353.0	389.3	423.5	459.4	582.7	648.3	504.8	308.5	201.3	151.4
30	716.5	609.3	493.3	437.0	375.5	321.1	304.0	321.1	375.5	437.0	493.3	609.3	716.5	525.8	294.3	187.2	141.7
35	619.8	560.3	501.8	409.5	312.8	247.4	230.0	247.4	312.8	409.5	501.8	560.3	619.8	436.4	240.9	159.0	115.6
40	548.9	560.8	497.3	346.3	230.4	174.6	160.8	174.6	230.4	346.3	497.3	560.8	548.9	380.1	220.5	141.4	94.3
45	574.3	588.0	455.0	249.0	154.1	121.0	109.5	121.0	154.1	249.0	455.0	588.0	574.3	382.3	209.4	110.5	82.6
50	607.7	582.0	353.6	159.4	94.2	87.1	74.6	87.1	94.2	159.4	353.6	582.0	607.7	410.2	197.1	100.1	61.0
55	628.5	497.5	231.2	90.8	57.1	60.3	60.1	60.3	57.1	90.8	231.2	497.5	628.5	454.9	171.2	78.3	51.6
60	507.7	316.1	128.0	52.0	38.1	37.0	38.6	37.0	38.1	52.0	128.0	316.1	507.7	464.7	173.5	70.6	42.5
65	201.1	113.7	58.3	33.4	28.7	33.3	40.8	33.3	28.7	33.4	58.3	113.7	201.1	327.6	125.1	59.0	25.5
70	45.0	44.0	26.3	21.6	23.4	30.8	39.6	30.8	23.4	21.6	26.3	44.0	45.0	127.3	74.9	36.1	8.4
75	20.3	27.8	11.0	12.5	18.9	29.9	20.6	29.9	18.9	12.5	11.0	27.8	20.3	33.3	27.6	10.8	7.1

gamma / °	C 255	C 270	C 285	C 300	C 315	C 330	C 345
0	288	288	288	288	288	288	288
5	248	245	248	255	267	280	293
10	204	200	204	216	242	279	312
15	174	171	174	189	217	276	344
20	150	144	150	169	206	279	402
25	131	127	131	151	201	309	505
30	125	121	125	142	187	294	526
35	97	96	97	116	159	241	436
40	83	82	83	94	141	221	380
45	62	58	62	83	111	209	382
50	49	45	49	61	100	197	410
55	37	35	37	52	78	171	455
60	27	26	27	43	71	174	465
65	16	16	16	26	59	125	328
70	8	8	8	8	36	75	127
75	8	8	8	7	11	28	33

article code

Ecowat Co.

lamp(s)

1 x LED

total flux
7470 lm

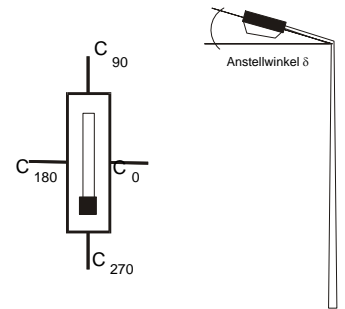
LOR

100 %

tilt angle
0.0 °

file

STREETLIGHT_



tilt angle : 0.0°
swivel angle : 0.0°

orientation : 0.0°

light loss factor : 1.0

article code
Ecowat Co.

lamp(s)
1 x LED
total flux
7470 lm
LOR
100 %
tilt angle
0.0°

file
STREETLIGHT_

