

meas. no. 96L666
meas. date 10/11/2017
operator LightLab

meas. conditions
 ambient temperature 25.0 °C
 voltage 230.00 V
 current 0.251 A
 power consumption 56.3 W

meas. lamps lum. flux [lm]
 1 4911.0 lm

measurement results
 flux of luminaire 4911.1 lm
 classification / DIN A40
 lower flux fraction 99.99 %
 upper flux fraction 0.01 %
 intensity maximum 356.1 cd/klm
 in C-plane 342.5 °
 at gamma 10.0 °
 half value angle C0 : 56.8 °
 C90 : 56.9 °
 C270 : 56.8 °
 tenth value angle C0 : 81.7 °
 C90 : 81.9 °
 C270 : 81.8 °

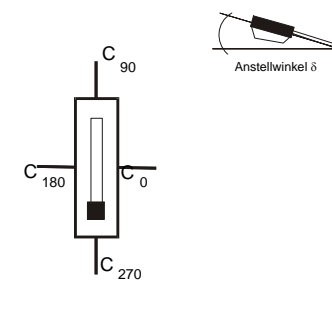
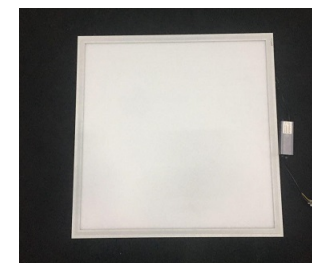
article code
 Ecowat Co.

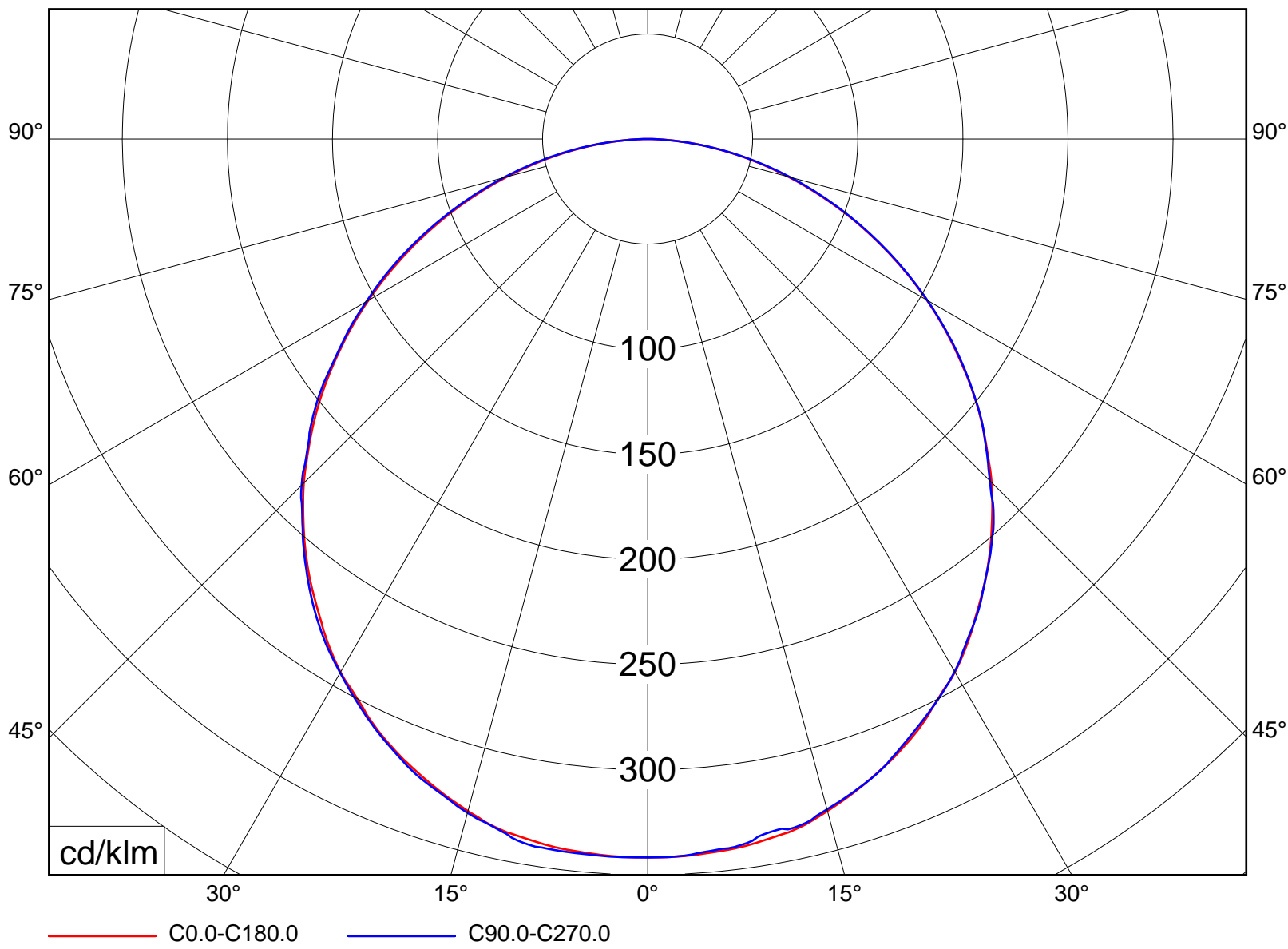
lamp(s)
 1 x LED
 total flux 4911 lm
 LOR
 100 %
 tilt angle 0.0 °

file
 PANEL LIGHT_

dimensions of luminaire
 length 595 mm
 width 595 mm
 height 10 mm

dimensions of luminous area
 length 545 mm
 width 545 mm
 height C0 5 mm
 height C90 5 mm
 height C180 5 mm
 height C270 5 mm





article code

Ecowat Co.

lamp(s)

1 x LED

total flux
4911 lm

LOR

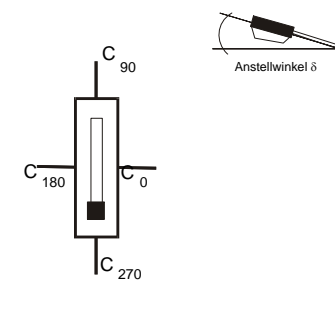
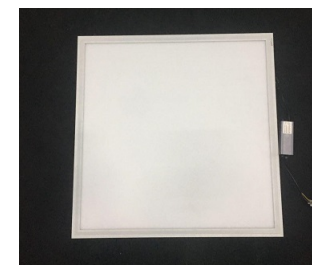
100 %

tilt angle

0.0 °

file

PANEL LIGHT_



distance [m]	cone diameter [m]	E [lx]	
1.0	3.06	E(0°) 1678 E(C0) 56.8° 460	
2.0	6.11	E(0°) 419 E(C0) 56.8° 115	
3.0	9.17	E(0°) 186 E(C0) 56.8° 51	
4.0	12.23	E(0°) 105 E(C0) 56.8° 29	
5.0	15.28	E(0°) 67 E(C0) 56.8° 18	
6.0	18.34	E(0°) 47 E(C0) 56.8° 13	

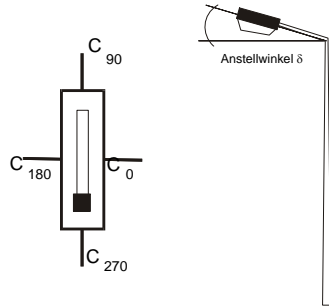
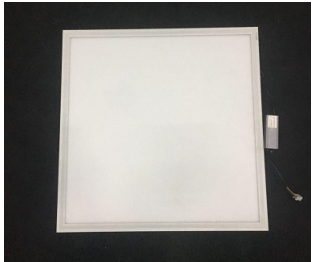
half value angle 113.6°

article code
Ecowat Co.

lamp(s)
1 x LED
total flux
4911 lm

LOR
100 %
tilt angle
0.0 °

file
PANEL LIGHT_



article code

Ecowat Co.

lamp(s)

1 x LED

total flux

4911 lm

LOR

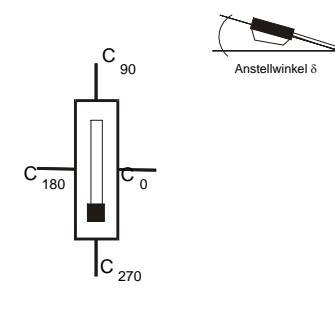
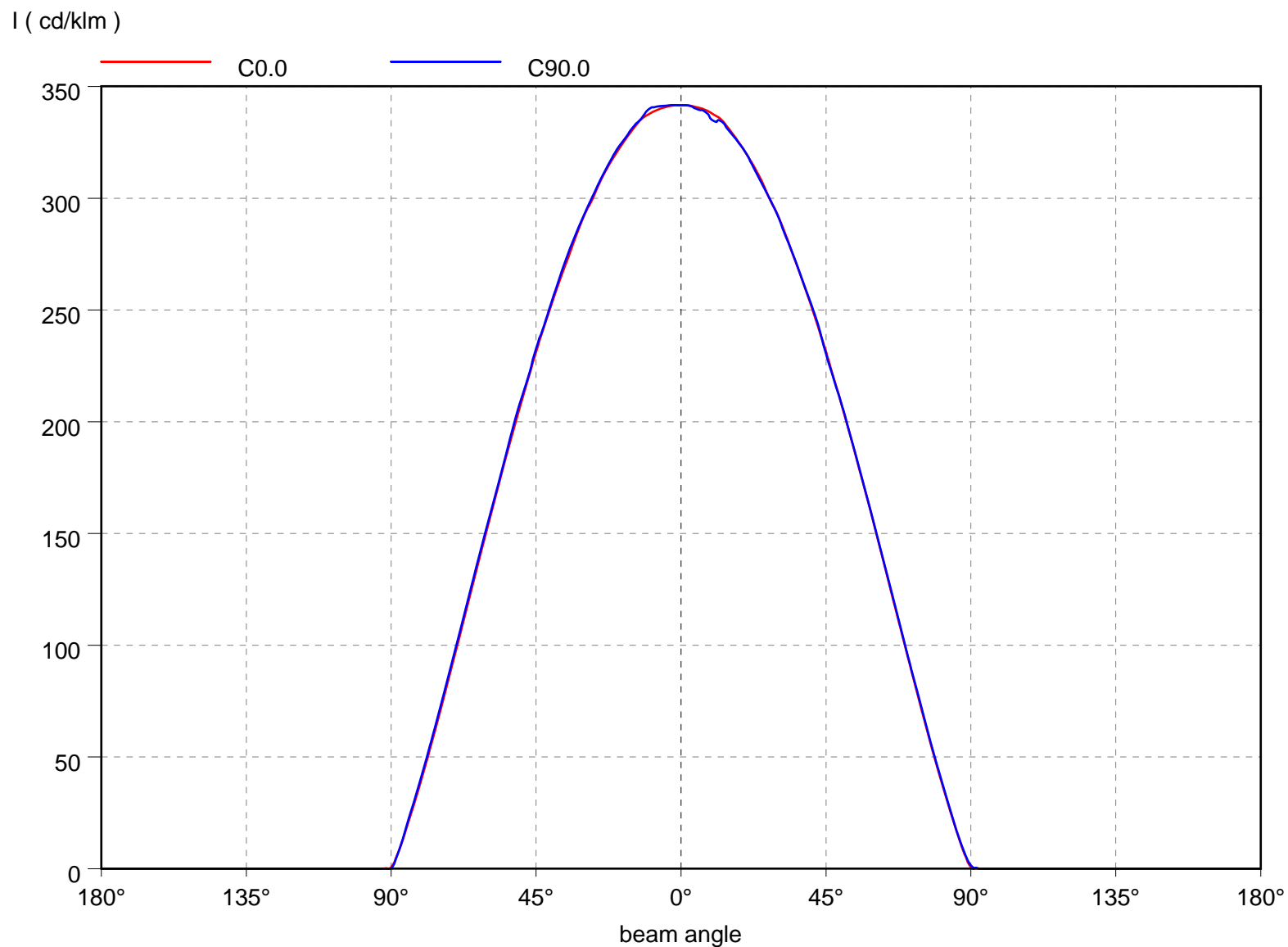
100 %

tilt angle

0.0 °

file

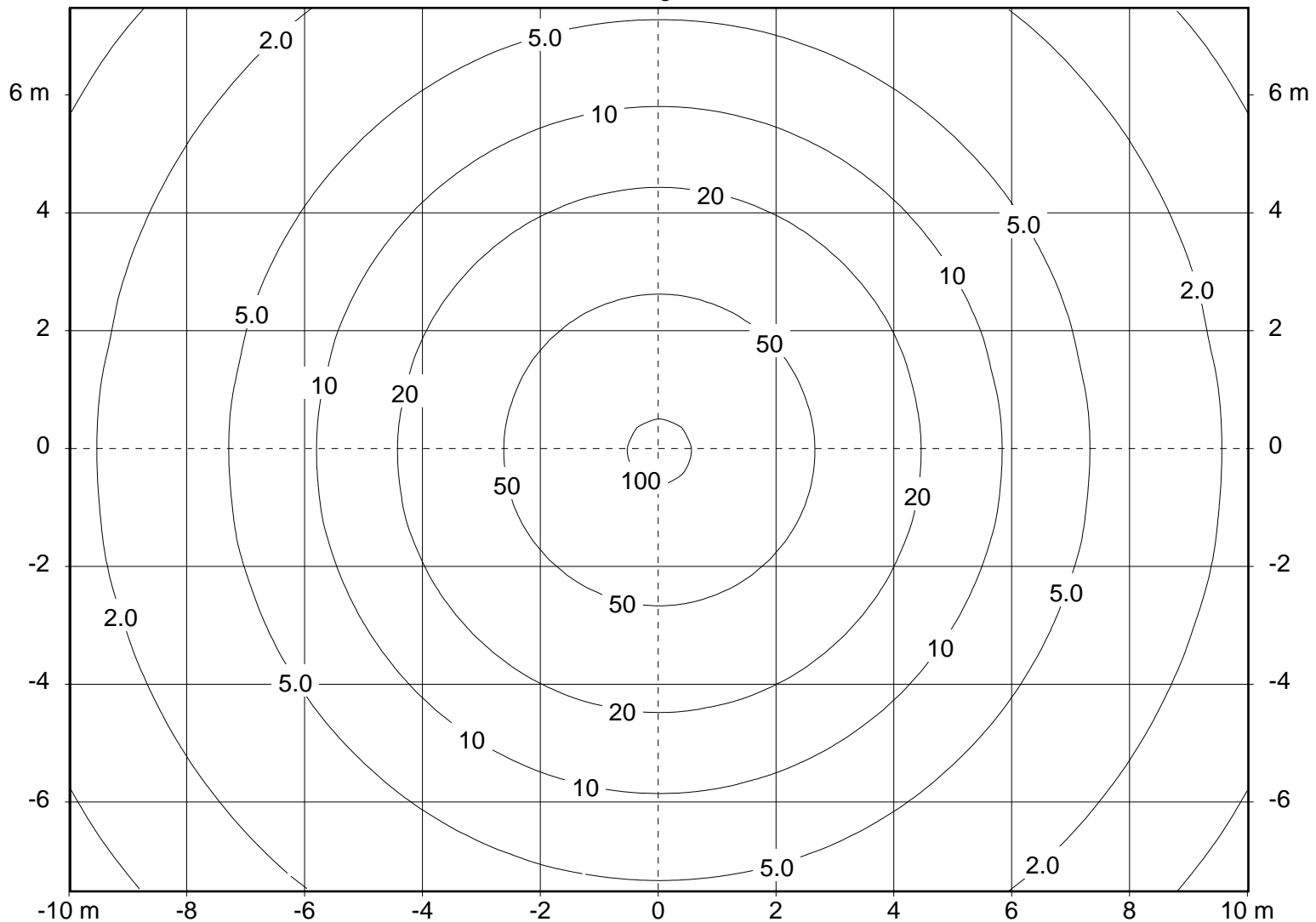
PANEL LIGHT_



tilt angle : 0.0°
Schwenkwinkel : 0.0°

Lichtpunkthöhe : 4.0 m
Orientierung : 0.0°

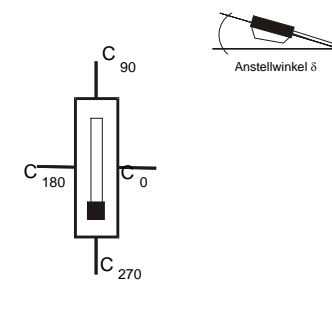
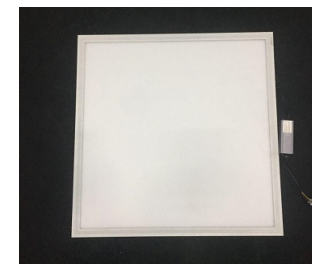
Verminderungsfaktor : 1.0



article code
Ecowat Co.

lamp(s)
1 x LED
total flux
4911 lm
LOR
100 %
tilt angle
0.0°

file
PANEL LIGHT_



gamma / °	C 0	C 15	C 30	C 45	C 60	C 75	C 90	C 105	C 120	C 135	C 150	C 165	C 180	C 195	C 210	C 225	C 240
0	341.6	341.6	341.6	341.6	341.6	341.6	341.6	341.6	341.6	341.6	341.6	341.6	341.6	341.6	341.6	341.6	341.6
5	340.7	340.6	340.5	340.3	339.9	339.6	339.9	339.6	339.9	340.3	340.5	340.6	340.7	340.3	340.8	341.3	341.3
10	337.6	337.4	336.9	336.5	335.9	335.6	334.7	335.6	335.9	336.5	336.9	337.4	337.6	337.6	337.8	338.2	339.1
15	330.8	330.7	330.6	328.8	330.3	330.2	330.0	330.2	330.3	328.8	330.6	330.7	330.8	331.4	331.4	333.4	332.0
20	320.5	320.6	318.9	320.6	320.5	320.2	320.6	320.2	320.5	320.6	318.9	320.6	320.5	321.0	323.7	321.4	321.8
25	307.8	307.5	306.5	308.0	307.1	307.1	306.8	307.1	307.1	308.0	306.5	307.5	307.8	308.5	309.1	309.1	308.8
30	292.5	291.4	292.2	291.6	291.8	291.3	292.3	291.3	291.8	291.6	292.2	291.4	292.5	292.2	293.1	292.9	292.6
35	273.6	273.2	273.6	274.1	273.5	274.1	274.1	274.1	273.5	274.1	273.6	273.2	273.6	275.1	274.5	274.3	274.6
40	253.6	251.1	253.6	253.4	253.2	253.1	254.2	253.1	253.2	253.4	253.6	251.1	253.6	257.1	254.1	254.5	254.8
45	231.4	227.9	230.7	231.0	231.0	231.1	230.3	231.1	231.0	231.0	230.7	227.9	231.4	234.4	231.9	231.6	231.7
50	206.9	203.7	206.8	206.8	206.8	206.7	207.1	206.7	206.8	206.8	206.8	203.7	206.9	208.8	207.2	207.3	207.5
55	180.6	178.9	180.1	180.4	180.7	181.0	181.1	181.0	180.7	180.4	180.1	178.9	180.6	181.9	181.1	181.4	181.6
60	153.6	152.5	153.2	153.6	153.5	153.8	153.8	153.8	153.5	153.6	153.2	152.5	153.6	154.4	153.6	154.0	154.5
65	125.2	124.9	125.2	125.6	125.6	125.7	125.9	125.7	125.6	125.6	125.2	124.9	125.2	126.1	126.1	126.2	126.4
70	97.0	96.4	96.9	97.3	97.5	97.7	97.5	97.7	97.5	97.3	96.9	96.4	97.0	97.5	97.6	97.9	98.4
75	69.3	69.0	69.2	69.6	70.0	70.0	70.2	70.0	70.0	69.6	69.2	69.0	69.3	69.9	69.9	70.4	70.7
80	43.1	42.8	43.0	43.3	43.5	43.8	43.8	43.8	43.5	43.3	43.0	42.8	43.1	43.5	43.7	44.0	44.3
85	19.3	19.0	19.1	19.3	19.4	19.6	19.6	19.6	19.4	19.3	19.1	19.0	19.3	19.7	19.8	20.0	20.2

article code

Ecowat Co.

lamp(s)

1 x LED

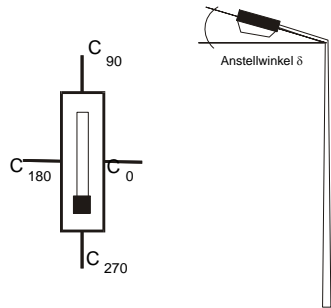
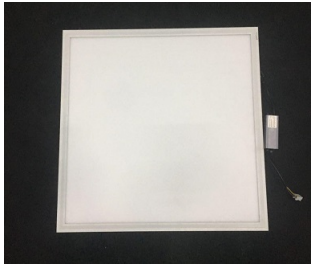
total flux
4911 lm

LOR
100 %

tilt angle
0.0 °

file

PANEL LIGHT_



gamma / °	C 255	C 270	C 285	C 300	C 315	C 330	C 345
0	341.6	341.6	341.6	341.6	341.6	341.6	341.6
5	341.5	341.4	341.5	341.3	341.3	340.8	340.3
10	339.7	339.9	339.7	339.1	338.2	337.8	337.6
15	331.5	331.7	331.5	332.0	333.4	331.4	331.4
20	321.5	321.7	321.5	321.8	321.4	323.7	321.0
25	308.9	308.4	308.9	308.8	309.1	309.1	308.5
30	293.8	292.9	293.8	292.6	292.9	293.1	292.2
35	275.6	275.6	275.6	274.6	274.3	274.5	275.1
40	255.1	254.6	255.1	254.8	254.5	254.1	257.1
45	232.4	232.9	232.4	231.7	231.6	231.9	234.4
50	207.7	208.6	207.7	207.5	207.3	207.2	208.8
55	181.9	181.5	181.9	181.6	181.4	181.1	181.9
60	154.9	154.6	154.9	154.5	154.0	153.6	154.4
65	126.7	127.0	126.7	126.4	126.2	126.1	126.1
70	98.6	98.8	98.6	98.4	97.9	97.6	97.5
75	70.8	71.1	70.8	70.7	70.4	69.9	69.9
80	44.5	44.5	44.5	44.3	44.0	43.7	43.5
85	20.3	20.3	20.3	20.2	20.0	19.8	19.7

article code

Ecowat Co.

lamp(s)

1 x LED

total flux

4911 lm

LOR

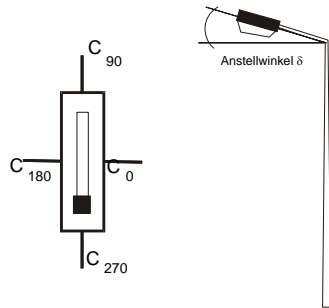
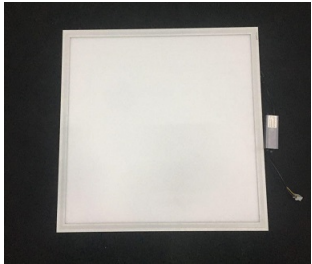
100 %

tilt angle

0.0 °

file

PANEL LIGHT_



tilt angle : 0.0°
swivel angle : 0.0°

orientation : 0.0°

light loss factor : 1.0

article code
Ecovat Co.

lamp(s)
1 x LED
total flux
4911 lm
LOR
100 %
tilt angle
0.0°

file
PANEL LIGHT_

