

file : LINELIGHT_LED_LN90-TH-4X2-W-NW_65W_4000K

meas. no. 00L1377
meas. date 6/8/2021
operator LightLab.

meas. conditions
 ambient temperature 25.0 °C
 voltage 230.00 V
 current 0.280 A
 power consumption 63.4 W
 Leistungsfaktor 0.980

meas. lamps lum. flux [lm]
 absolute measurement 5743.1 lm
 luminous efficacy 91 lm/w

dimensions of luminaire
 length 1170 mm
 width 110 mm
 height 90 mm

dimensions of luminous area
 length 1140 mm
 width 90 mm
 height C0 50 mm
 height C90 50 mm
 height C180 50 mm
 height C270 50 mm

reflector

cover

variant

measurement results

flux of luminaire 5743.1 lm
 classification / DIN A40
 lower flux fraction 99.99 %
 upper flux fraction 0.01 %
 intensity maximum 2068.2 cd
 in C-plane 175.0 °
 at gamma 2.5 °
 half value angle C0 : 56.2 °
 C90 : 53.5 °
 C180 : 56.0 °
 C270 : 55.0 °
 tenth value angle C0 : 80.6 °
 C90 : 79.1 °
 C180 : 80.1 °
 C270 : 80.4 °

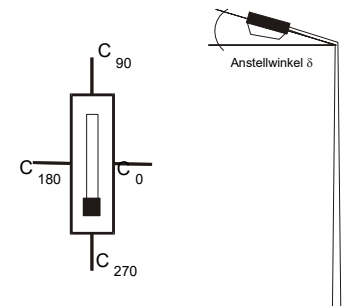
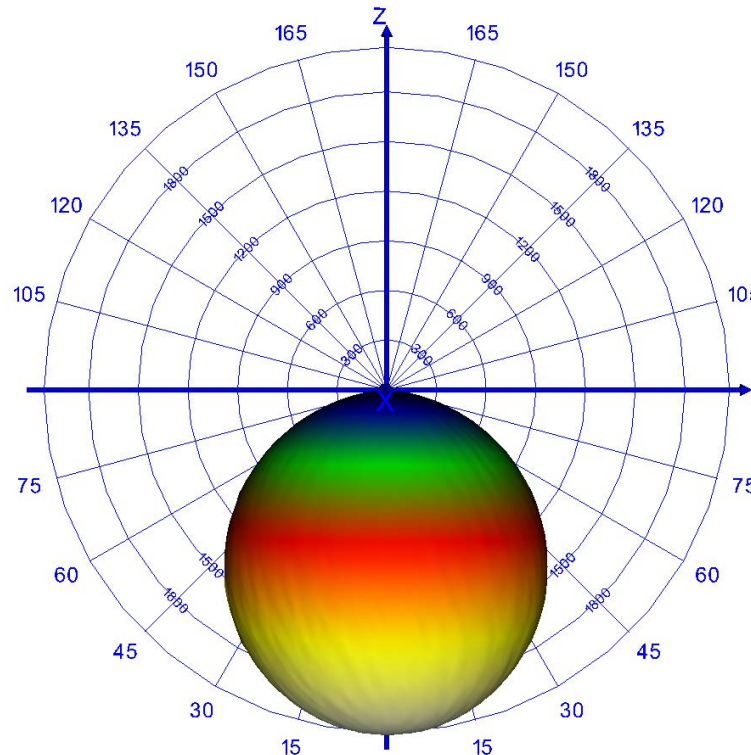
article code

Ecowat Co.

lamp(s)

1 x LED
 total flux 5743 lm
 LOR
 100 %
 tilt angle 0.0 °

remarks



article code

Ecowat Co.

lamp(s)

1 x LED

total flux

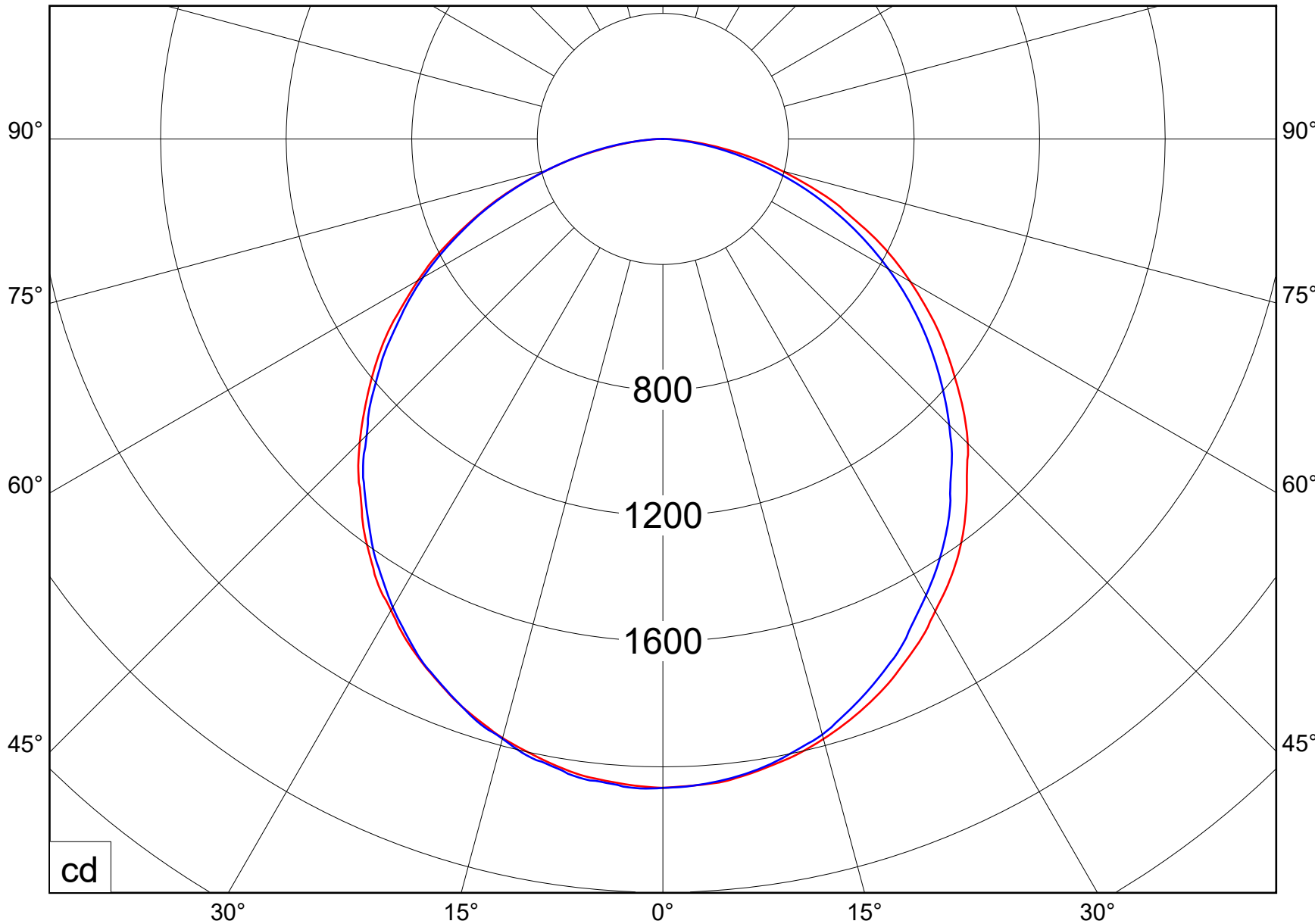
5743 lm

LOR

100 %

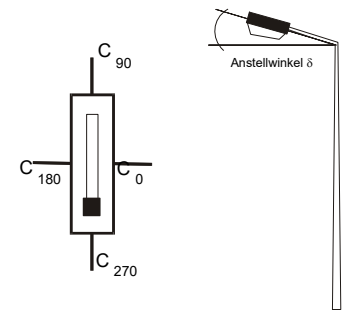
tilt angle

0.0 °



— C0.0-C180.0

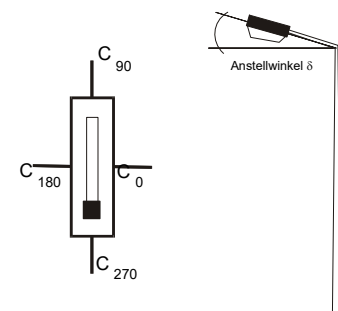
— C90.0-C270.0



distance [m]	cone diameter [m]	E [lx]	
1.0	2.99	E(0°) 2066 E(C0) 56.2° 575	
2.0	5.98	E(0°) 516 E(C0) 56.2° 144	
3.0	8.96	E(0°) 230 E(C0) 56.2° 64	
4.0	11.95	E(0°) 129 E(C0) 56.2° 36	
5.0	14.94	E(0°) 83 E(C0) 56.2° 23	

article code
Ecowat Co.

lamp(s)
1 x LED
total flux
5743 lm
LOR
100 %
tilt angle
0.0 °



half value angle 112.4°

article code

Ecowat Co.

lamp(s)

1 x LED

total flux

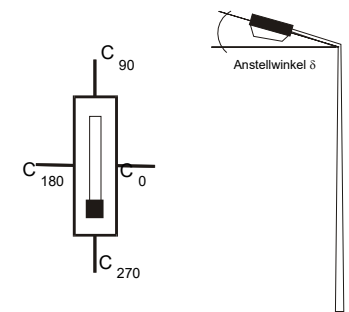
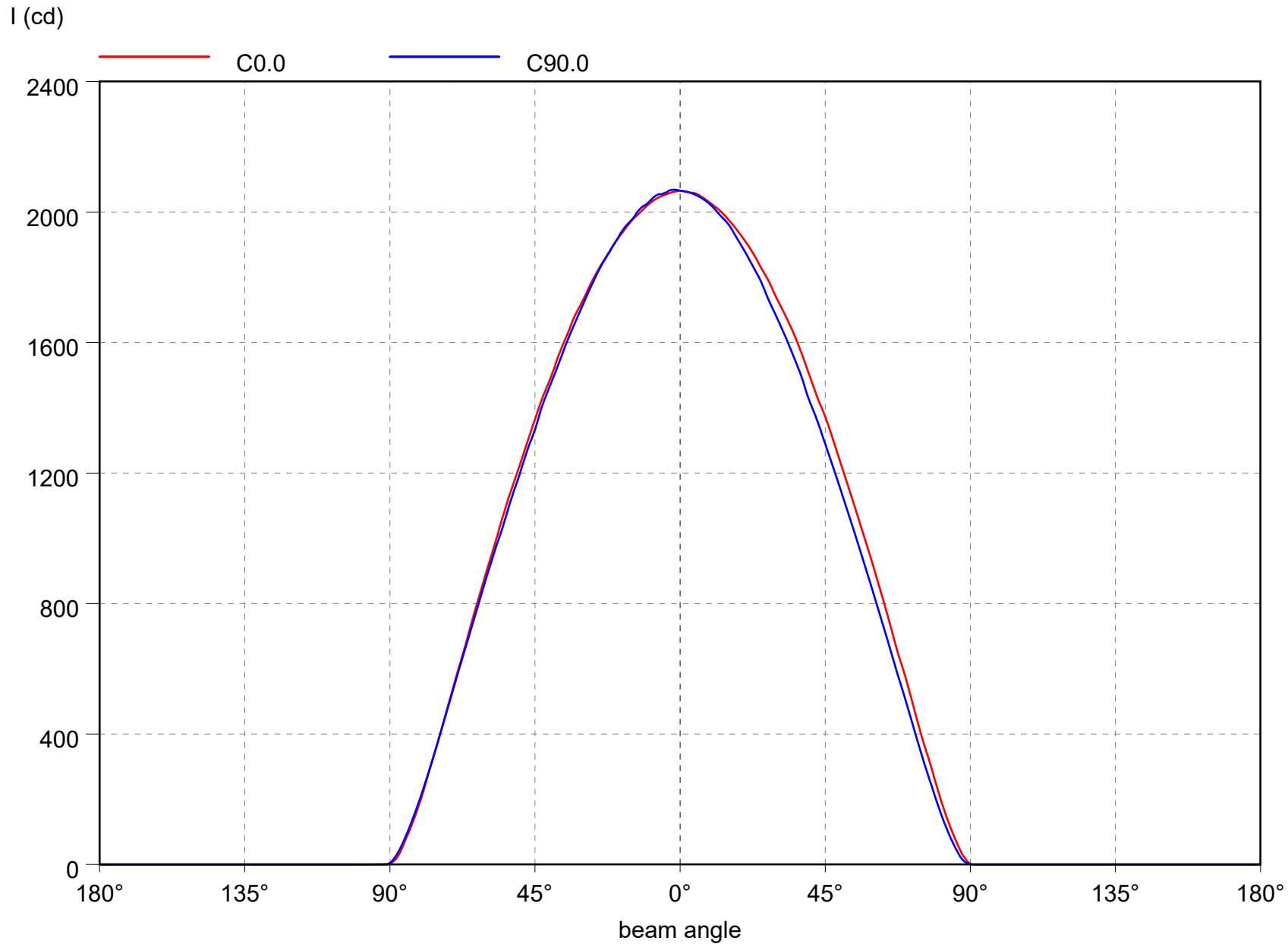
5743 lm

LOR

100 %

tilt angle

0.0 °



tilt angle : 0.0°
swivel angle : 0.0°

mounting height : 6.00 m
orientation : 0.0°

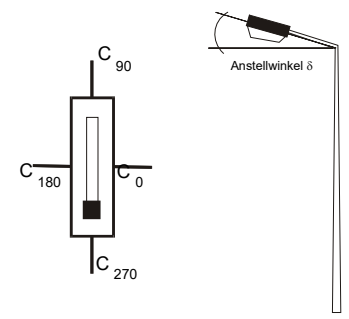
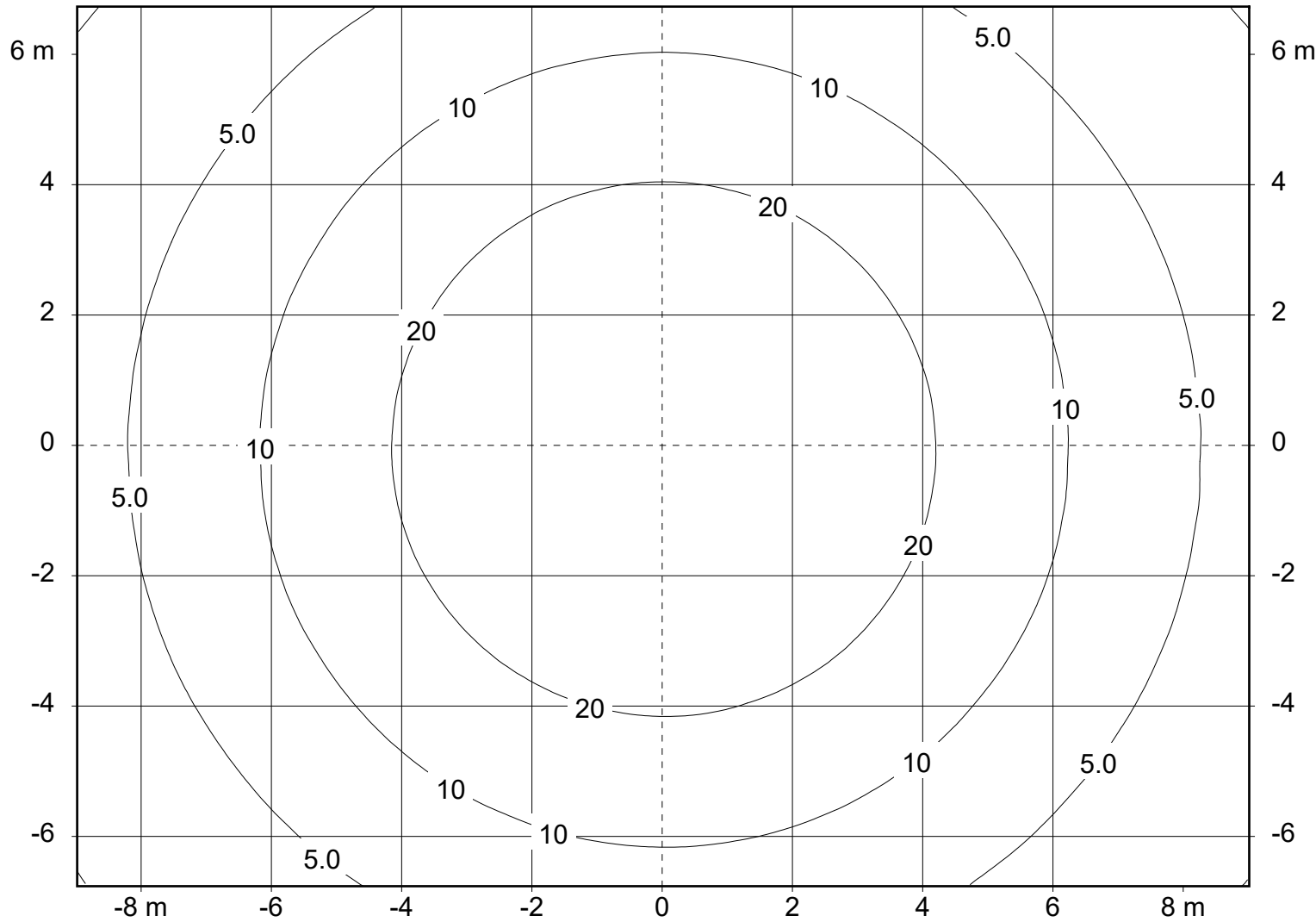
light loss factor : 0.8

article code

Ecowat Co.

lamp(s)

1 x LED
total flux
5743 lm
LOR
100 %
tilt angle
0.0°



luminaire : LineLight_LED_LN90-TH-4x2-W-NW_65W_4000K

file : LINELIGHT_LED_LN90-TH-4X2-W-NW_65W_4000K

gamma / °	C 0	C 15	C 30	C 45	C 60	C 75	C 90	C 105	C 120	C 135	C 150	C 165	C 180	C 195	C 210	C 225	C 240	C 255
0.0	359.7	359.7	359.7	359.7	359.7	359.7	359.7	359.7	359.7	359.7	359.7	359.7	359.7	359.7	359.7	359.7	359.7	359.7
2.5	358.8	358.4	358.4	358.9	359.2	359.1	358.9	358.8	358.6	358.6	358.7	358.7	358.8	359.1	359.5	359.6	359.6	360.0
5.0	358.0	357.8	357.1	357.0	357.0	357.0	357.3	357.1	357.1	357.3	357.1	357.1	357.2	357.5	357.5	358.5	358.4	358.0
7.5	355.5	355.0	355.4	354.7	355.1	354.7	354.8	354.5	355.0	355.2	355.6	355.3	355.4	355.6	356.5	356.6	356.8	356.8
10.0	352.3	352.2	352.0	351.8	351.0	350.9	351.2	351.5	351.6	352.1	352.9	352.0	351.9	352.9	353.6	353.5	353.0	353.4
12.5	348.9	348.3	347.8	346.2	346.9	346.5	346.5	346.9	347.8	347.9	347.9	348.5	347.9	349.2	349.7	349.7	349.1	350.1
15.0	344.3	344.1	343.6	342.6	341.3	341.3	341.7	341.1	342.2	342.8	343.7	344.0	343.7	344.9	344.6	344.5	344.9	344.2
17.5	338.9	338.0	337.6	336.3	335.5	334.8	334.7	335.7	335.8	337.1	337.8	338.4	338.3	339.0	339.8	339.9	338.7	339.3
20.0	333.3	332.1	331.5	329.5	328.9	328.1	327.5	327.6	329.4	329.8	331.2	332.4	332.5	332.3	332.6	332.8	332.1	332.8
22.5	326.6	325.3	324.0	322.1	321.5	319.6	319.6	320.4	321.1	322.8	324.4	325.4	325.6	325.9	325.7	326.0	325.9	325.8
25.0	319.0	317.5	315.7	315.0	313.0	311.7	311.5	311.7	313.5	315.0	316.1	317.4	318.6	318.7	317.3	317.8	317.5	316.4
27.5	311.3	309.1	307.8	306.1	304.1	302.4	301.2	303.4	305.0	306.0	307.4	309.3	310.8	311.5	310.1	309.9	308.9	308.7
30.0	302.1	301.0	298.4	295.6	295.3	294.0	291.9	292.7	295.9	297.0	298.0	300.6	301.6	301.0	301.4	300.8	299.5	299.0
32.5	293.7	292.1	289.6	286.2	285.0	283.2	282.4	282.0	284.7	286.7	289.1	291.1	293.4	292.1	292.2	290.5	289.1	289.1
35.0	284.3	281.9	279.2	275.6	273.0	272.4	272.0	271.6	274.6	276.4	278.7	280.2	282.9	282.0	281.6	280.7	278.9	278.5
37.5	273.7	272.0	269.1	264.8	262.2	261.0	261.0	261.1	263.5	265.3	268.5	269.7	272.5	271.1	270.5	268.7	268.7	267.8
40.0	261.8	259.3	257.5	254.0	251.3	249.3	248.1	249.9	251.6	254.1	257.1	259.6	260.5	260.2	260.4	259.2	256.4	256.3
42.5	249.6	248.4	246.4	242.4	239.0	238.3	237.1	238.1	240.1	242.0	245.4	247.6	249.9	248.8	249.1	247.3	245.4	244.7
45.0	239.1	237.6	233.6	230.9	227.7	225.1	224.5	226.0	227.2	230.7	231.9	235.5	237.6	236.8	236.9	235.1	233.3	233.4
47.5	226.6	224.2	221.1	218.3	214.8	212.9	211.9	212.9	214.9	218.2	220.0	223.0	224.8	225.2	223.0	222.7	221.5	220.2
50.0	213.1	211.6	208.6	205.1	201.7	199.9	198.6	200.2	200.7	204.3	207.6	210.6	211.9	210.8	212.1	209.8	208.3	207.5
52.5	199.9	198.8	196.1	191.7	188.6	187.0	185.9	187.1	188.1	191.2	193.9	198.1	199.2	198.4	198.4	196.2	195.3	193.4
55.0	186.8	185.5	180.9	178.0	175.2	172.6	172.3	173.4	174.4	177.5	179.8	182.8	185.7	185.6	184.4	182.9	180.9	179.8
57.5	172.6	170.1	168.4	164.2	161.6	159.1	158.6	159.2	160.8	162.7	167.1	168.8	170.6	170.7	169.8	169.6	168.0	167.1
60.0	158.5	156.2	154.8	150.1	147.8	145.8	144.6	145.4	146.2	148.8	152.6	155.7	156.5	156.6	156.8	155.6	153.6	152.5
62.5	144.4	142.7	139.0	136.3	133.6	131.5	130.0	131.2	132.3	135.0	136.9	140.3	142.4	142.8	142.2	140.8	139.1	138.4
65.0	129.2	126.9	124.0	122.4	118.2	116.3	115.9	116.4	118.0	121.0	122.9	124.4	126.7	127.0	126.0	126.4	124.6	124.2
67.5	113.3	111.7	110.3	106.4	103.0	102.0	101.4	102.1	103.7	104.5	108.5	110.3	111.6	111.4	111.9	110.6	110.0	109.6
70.0	99.6	98.0	94.2	91.2	89.0	87.5	87.3	87.3	88.3	89.5	91.3	95.0	97.1	97.3	97.1	95.7	95.9	94.9
72.5	83.2	81.2	78.4	77.5	75.0	73.3	72.6	73.0	73.4	75.4	76.9	78.9	81.0	81.3	81.5	81.9	80.4	80.5
75.0	68.1	66.1	65.5	63.0	61.0	59.1	58.0	58.8	59.1	60.8	63.5	64.4	66.1	66.4	67.1	66.7	65.5	66.3
77.5	54.1	52.3	51.0	47.6	46.6	45.3	44.5	44.9	45.3	45.9	47.8	49.8	51.8	51.8	51.4	51.3	52.0	52.1
80.0	39.4	37.7	35.7	34.2	33.0	32.1	31.5	31.5	32.3	33.2	34.0	35.0	36.9	37.3	37.1	38.1	38.8	38.2
82.5	26.0	24.4	23.3	22.5	21.0	20.2	19.9	19.7	20.5	21.3	22.1	23.0	24.4	24.9	25.5	26.0	25.4	25.5
85.0	14.9	13.9	12.6	11.7	10.7	10.3	10.1	9.9	10.0	10.6	11.5	12.4	13.6	13.7	14.5	14.4	14.3	14.9

article code

Ecowat Co.

lamp(s)

1 x LED

total flux

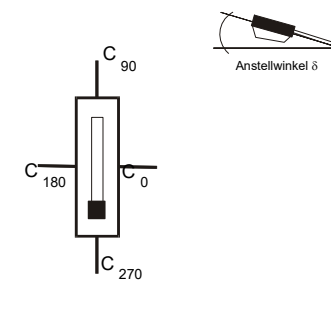
5743 lm

LOR

100 %

tilt angle

0.0 °



luminaire : LineLight_LED_LN90-TH-4x2-W-NW_65W_4000K

file : LINELIGHT_LED_LN90-TH-4X2-W-NW_65W_4000K

article code

Ecowat Co.

lamp(s)

1 x LED

total flux

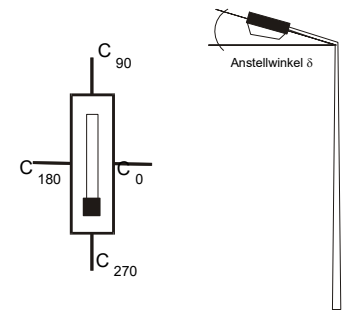
5743 lm

LOR

100 %

tilt angle

0.0 °



gamma / °	C 270	C 285	C 300	C 315	C 330	C 345
0.0	359.7	359.7	359.7	359.7	359.7	359.7
2.5	360.1	359.9	359.8	359.6	359.4	359.1
5.0	358.3	358.4	358.4	358.2	357.8	357.8
7.5	357.0	356.3	356.2	357.0	356.6	356.2
10.0	353.1	353.9	353.4	353.1	353.6	353.0
12.5	349.8	350.0	350.0	349.9	349.8	349.2
15.0	344.2	345.3	345.2	345.1	345.9	345.5
17.5	339.3	339.1	339.3	339.6	340.4	339.5
20.0	332.4	333.0	333.5	333.7	333.5	334.1
22.5	325.2	325.2	325.8	327.0	327.7	328.1
25.0	318.0	318.4	318.9	319.4	319.5	320.8
27.5	308.8	308.7	310.7	311.7	312.1	312.5
30.0	299.6	300.1	301.7	302.1	303.8	304.1
32.5	289.4	289.9	291.2	292.8	293.9	294.9
35.0	279.4	280.2	281.2	283.6	282.9	284.1
37.5	268.0	269.1	270.4	272.0	273.0	274.9
40.0	257.0	258.2	258.8	260.9	262.3	262.8
42.5	246.0	246.0	248.1	249.2	251.6	251.8
45.0	232.3	234.6	235.4	237.3	238.8	239.0
47.5	220.5	221.5	223.5	224.8	225.8	226.7
50.0	207.0	209.4	209.7	211.7	213.1	214.0
52.5	194.4	195.3	197.5	198.7	200.8	200.2
55.0	180.2	182.0	182.9	184.9	187.0	187.3
57.5	167.2	168.2	169.9	171.6	172.1	172.9
60.0	153.5	154.3	156.9	156.9	158.8	158.5
62.5	139.4	140.1	141.9	142.0	144.5	146.0
65.0	124.4	125.3	126.7	129.1	128.8	129.5
67.5	110.3	110.8	112.0	114.7	113.8	114.0
70.0	95.4	96.2	97.5	97.7	99.6	100.4
72.5	80.9	81.3	83.0	82.1	83.1	83.6
75.0	66.2	66.9	67.5	69.1	69.4	68.6
77.5	51.8	53.0	53.1	54.5	55.1	54.8
80.0	38.5	39.2	39.3	39.7	39.5	39.5
82.5	26.3	26.5	26.7	27.0	26.6	26.3
85.0	15.3	15.5	15.5	15.4	15.3	15.4

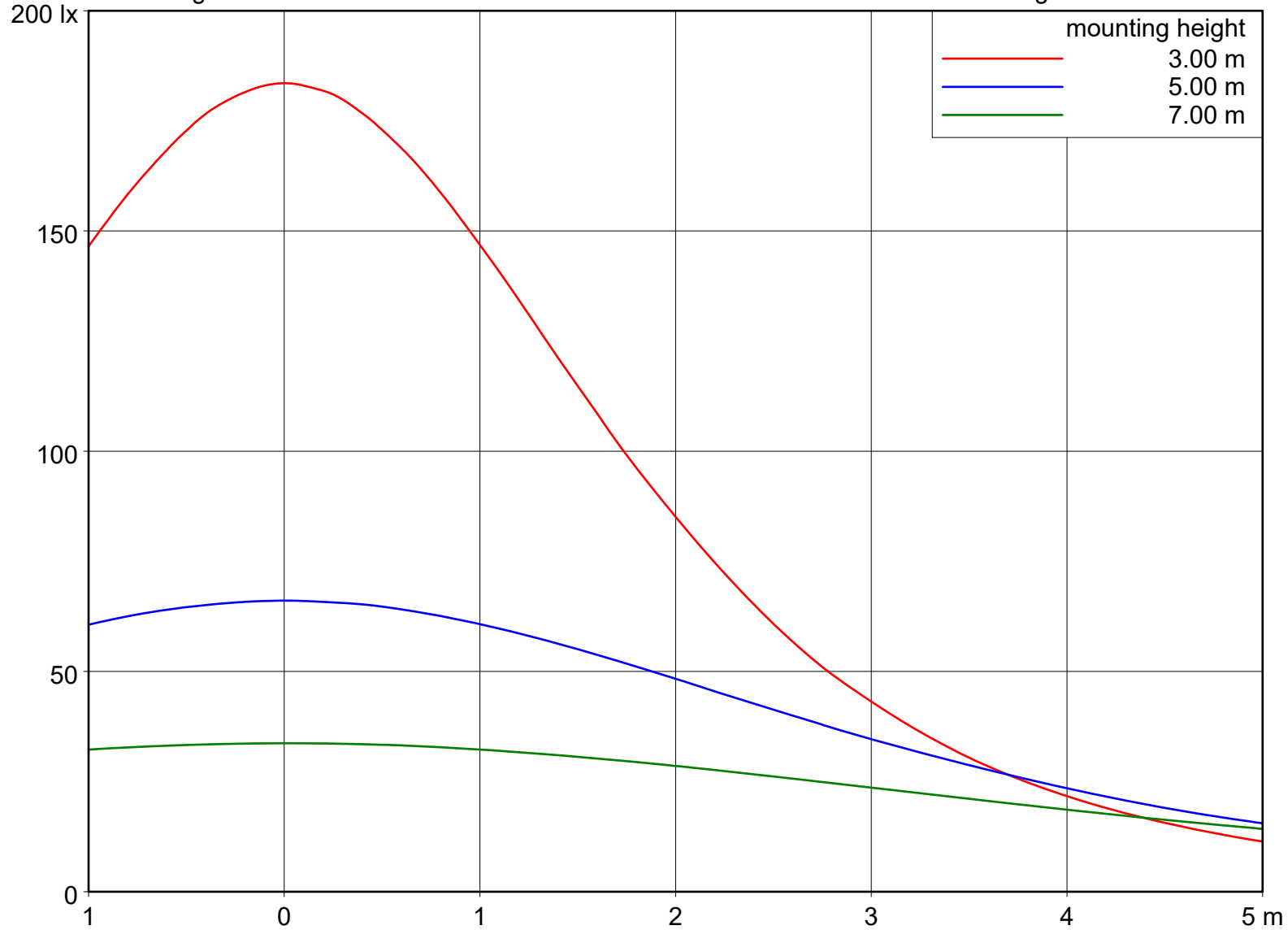


tilt angle : 0.0 °

swivel angle : 0.0 °

orientation : 0.0 °

light loss factor : 0.8



article code

Ecowat Co.

lamp(s)

1 x LED

total flux

5743 lm

LOR

100 %

tilt angle

0.0 °

