

file : LINELIGHT_LED_LN90-TH-4X1-W-NW_36W_4000K

meas. no. 00L1378
meas. date 6/8/2021
operator LightLab.

meas. conditions
 ambient temperature 25.0 °C
 voltage 230.00 V
 current 0.156 A
 power consumption 35.0 W
 Leistungsfaktor 0.975

meas. lamps lum. flux [lm]
 absolute measurement 3127.3 lm
 luminous efficacy 89 lm/w

measurement results
 flux of luminaire 3127.3 lm
 classification / DIN A40
 lower flux fraction 99.99 %
 upper flux fraction 0.01 %
 intensity maximum 1124.2 cd
 in C-plane 225.0 °
 at gamma 2.5 °
 half value angle C0 : 56.3 °
 C90 : 54.0 °
 C180 : 55.9 °
 C270 : 54.8 °
 tenth value angle C0 : 80.6 °
 C90 : 79.3 °
 C180 : 80.3 °
 C270 : 80.5 °

article code
 Ecowat Co.

lamp(s)
 1 x LED
 total flux 3127 lm
 LOR 100 %
 tilt angle 0.0 °

dimensions of luminaire
 length 1170 mm
 width 110 mm
 height 90 mm

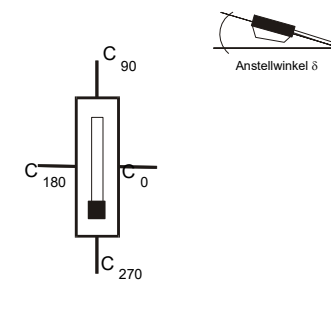
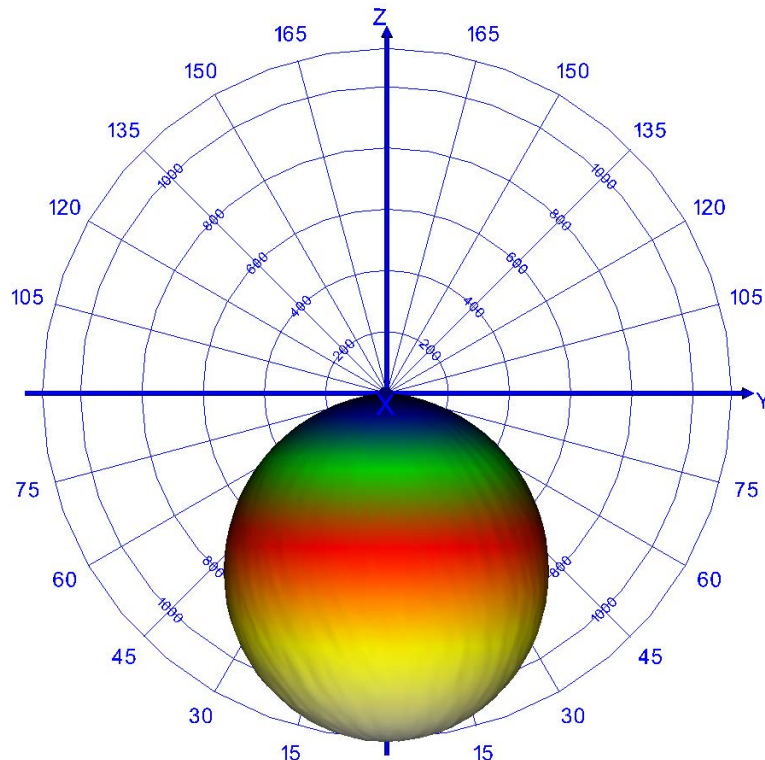
dimensions of luminous area
 length 1140 mm
 width 90 mm
 height C0 50 mm
 height C90 50 mm
 height C180 50 mm
 height C270 50 mm

reflector

cover

variant

remarks



article code

Ecowat Co.

lamp(s)

1 x LED

total flux

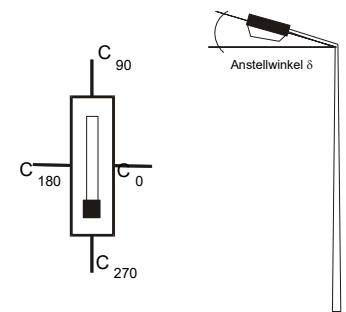
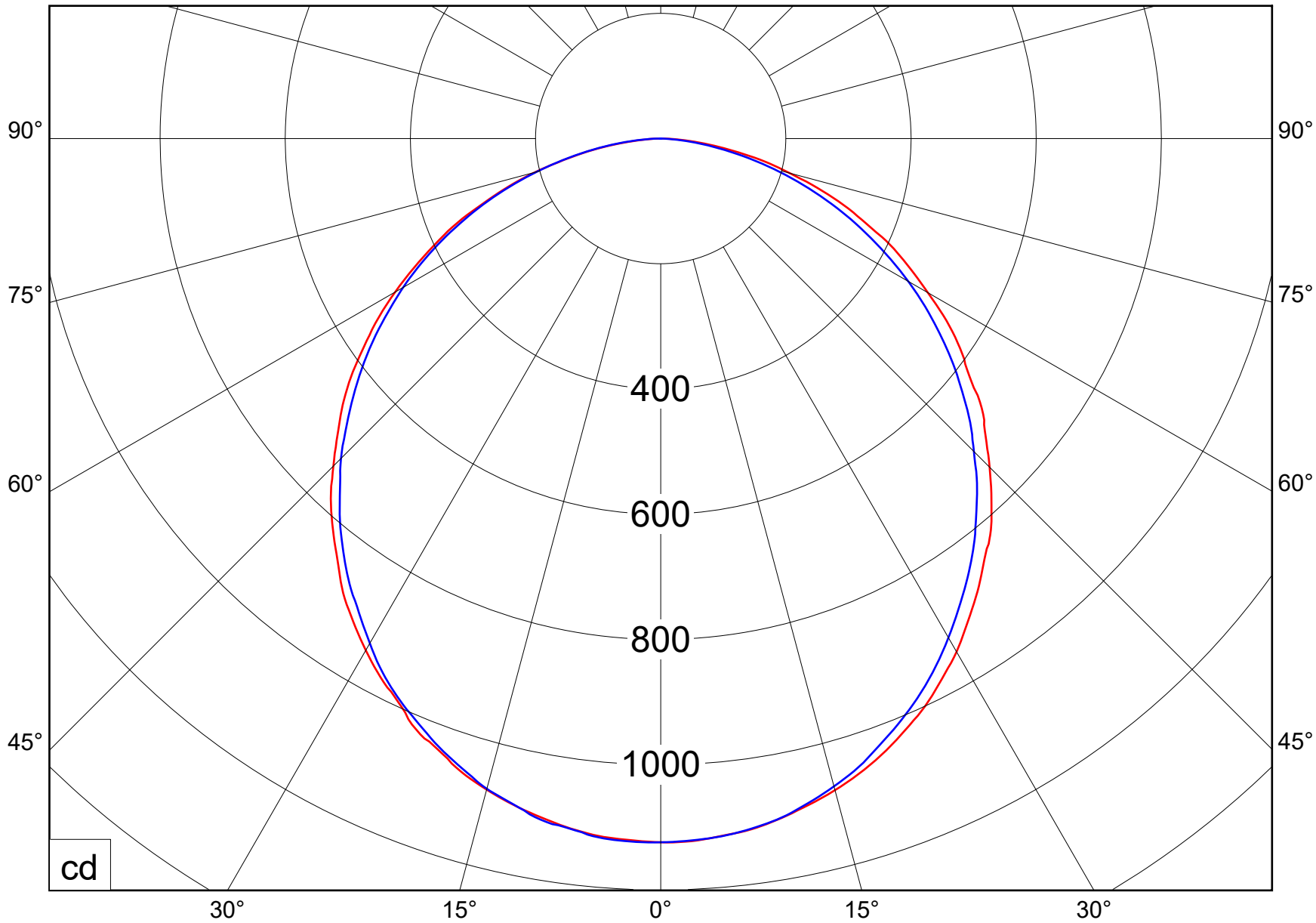
3127 lm

LOR

100 %

tilt angle

0.0 °



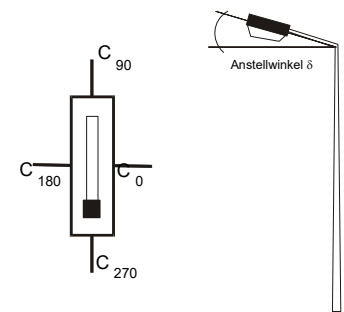
— C0.0-C180.0 — C90.0-C270.0



distance [m]	cone diameter [m]	E [lx]
1.0	3.00	E(0°) 1123 E(C0) 56.3° 312
2.0	6.00	E(0°) 281 E(C0) 56.3° 78
3.0	9.00	E(0°) 125 E(C0) 56.3° 35
4.0	12.00	E(0°) 70 E(C0) 56.3° 19
5.0	14.99	E(0°) 45 E(C0) 56.3° 12

article code
Ecawat Co.

lamp(s)
1 x LED
total flux
3127 lm
LOR
100 %
tilt angle
0.0 °



half value angle 112.6°

article code

Ecowat Co.

lamp(s)

1 x LED

total flux

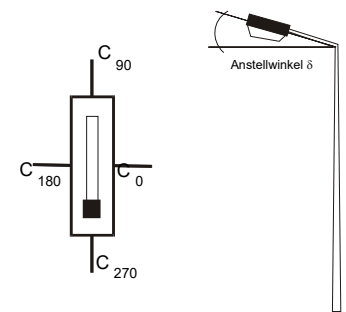
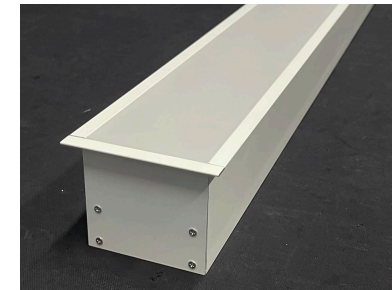
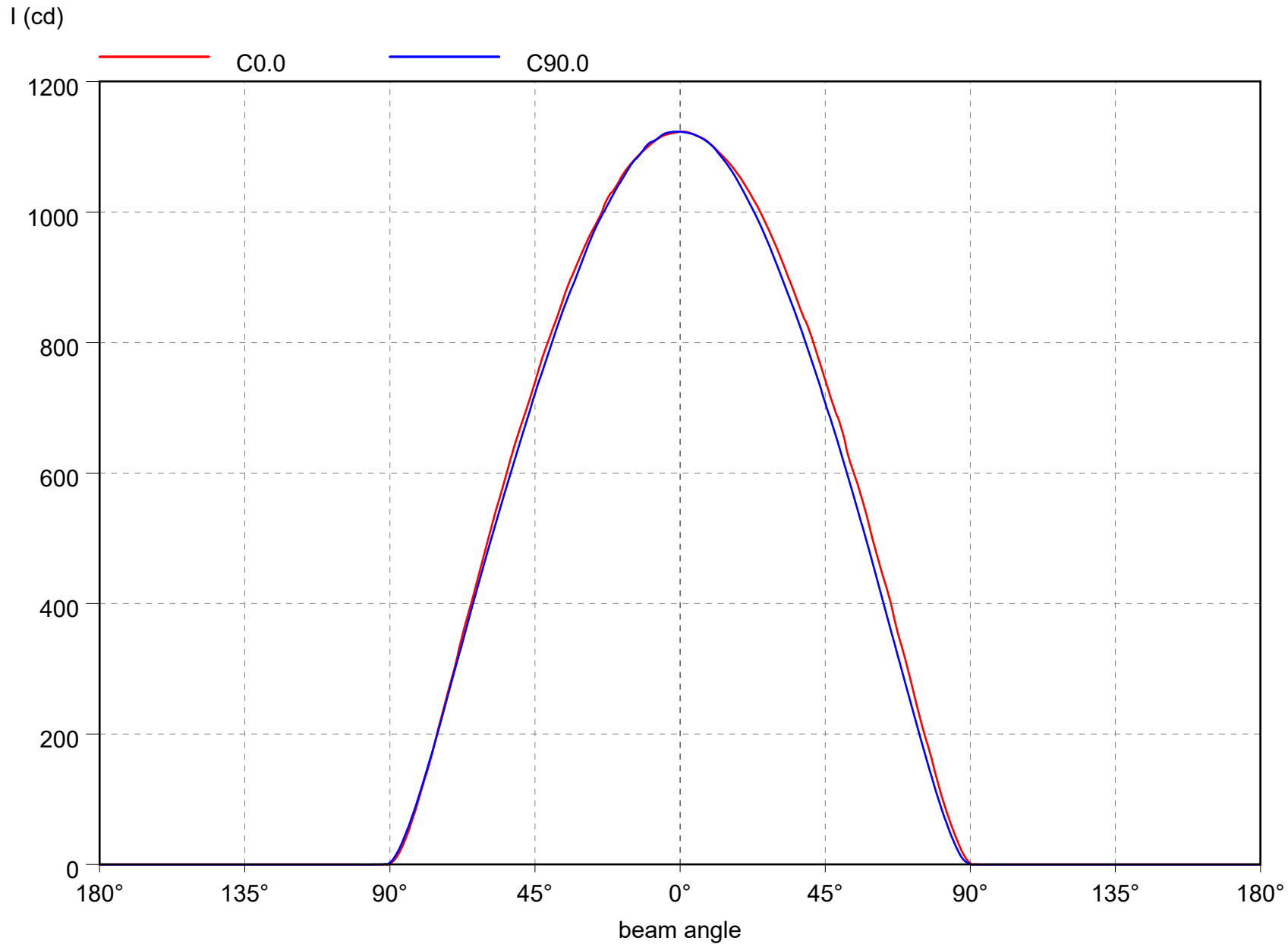
3127 lm

LOR

100 %

tilt angle

0.0 °



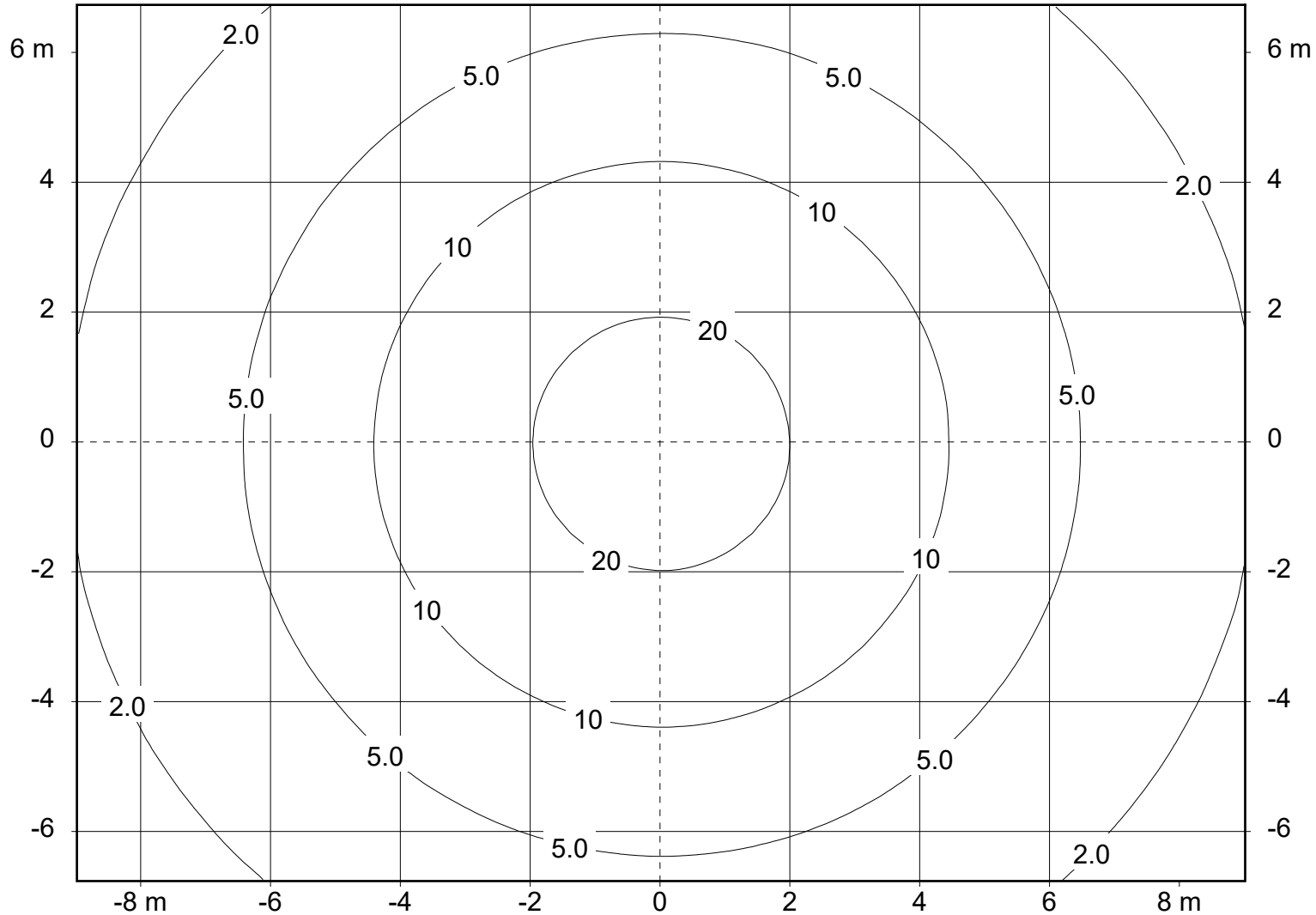
tilt angle : 0.0°

mounting height : 6.00 m

light loss factor : 0.8

swivel angle : 0.0°

orientation : 0.0°



article code

Ecowat Co.

lamp(s)

1 x LED

total flux

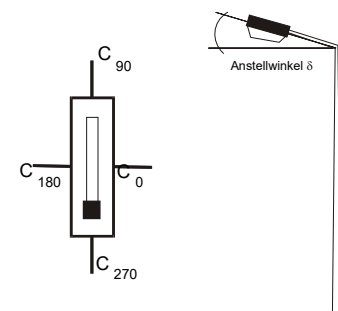
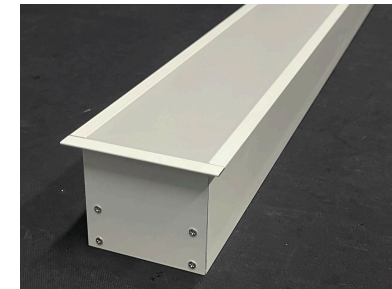
3127 lm

LOR

100 %

tilt angle

0.0°



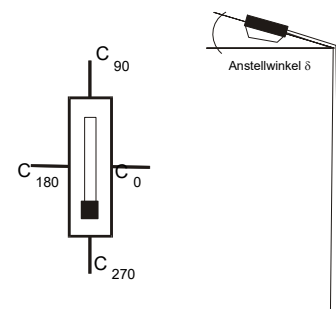
luminaire : LineLight_LED_LN90-TH-4x1-W-NW_36W_4000K

file : LINELIGHT_LED_LN90-TH-4X1-W-NW_36W_4000K

gamma / °	C 0	C 15	C 30	C 45	C 60	C 75	C 90	C 105	C 120	C 135	C 150	C 165	C 180	C 195	C 210	C 225	C 240	C 255
0.0	359.2	359.2	359.2	359.2	359.2	359.2	359.2	359.2	359.2	359.2	359.2	359.2	359.2	359.2	359.2	359.2	359.2	359.2
2.5	358.9	358.7	358.3	358.3	358.5	358.6	358.6	358.7	358.8	358.8	358.8	358.6	358.4	358.5	358.4	358.4	358.5	358.8
5.0	357.3	357.6	357.3	357.5	357.3	357.4	357.5	357.3	357.0	357.8	357.4	357.1	357.4	357.2	357.4	358.1	358.1	358.1
7.5	355.5	355.4	355.4	355.2	355.7	354.8	355.2	355.6	354.9	355.2	355.3	355.3	355.0	355.6	355.4	355.8	356.1	355.8
10.0	352.4	352.3	352.4	352.1	351.6	351.4	352.2	351.5	351.8	352.3	352.5	352.8	351.8	352.5	352.9	353.1	352.2	352.1
12.5	348.4	348.7	347.8	348.1	347.1	347.6	347.5	347.8	348.0	348.2	348.5	349.0	348.2	348.6	349.0	348.6	348.6	348.8
15.0	344.3	344.0	343.9	343.0	342.5	342.5	342.2	342.3	342.8	343.5	343.5	343.7	343.9	344.8	344.2	343.6	343.5	343.1
17.5	339.3	338.9	337.5	337.1	336.3	336.1	336.3	336.6	337.3	337.5	338.3	338.4	338.9	338.8	338.3	338.3	338.1	337.5
20.0	333.5	331.6	332.0	330.5	329.7	329.2	328.7	329.9	329.7	331.0	332.2	332.8	332.1	332.3	332.2	331.8	330.7	331.0
22.5	326.6	325.2	324.3	323.8	322.9	321.7	321.2	321.7	323.2	323.4	325.3	324.9	326.5	326.1	325.5	324.9	324.4	323.6
25.0	319.6	318.2	315.7	315.5	314.0	313.4	313.1	313.4	314.8	315.8	316.7	318.5	317.3	318.5	317.3	316.6	315.3	315.4
27.5	311.0	310.5	307.9	306.8	305.3	304.9	304.0	304.2	306.1	307.3	308.2	310.1	309.9	310.4	309.5	308.0	307.7	307.8
30.0	302.3	300.3	299.1	297.7	296.2	294.2	294.0	294.5	297.2	297.4	300.2	300.5	301.4	301.8	299.8	299.1	297.7	297.4
32.5	292.1	292.8	289.6	288.4	286.0	285.1	283.6	284.4	286.5	289.0	289.6	290.5	292.3	290.7	290.0	289.8	288.9	286.5
35.0	282.1	282.8	279.9	278.7	275.2	273.5	273.3	274.1	275.7	277.4	279.2	281.3	282.8	281.6	280.8	278.4	277.7	276.6
37.5	271.4	271.9	269.4	266.5	265.0	262.9	262.5	263.4	265.3	267.6	268.3	270.9	271.2	270.7	269.6	268.6	267.7	265.6
40.0	262.1	260.7	258.2	256.4	253.8	252.3	250.7	252.1	253.6	254.9	258.4	259.6	260.5	260.8	258.4	257.7	255.5	254.7
42.5	250.1	248.3	247.1	243.0	241.2	239.4	239.1	240.2	241.8	243.7	246.6	247.7	249.4	248.9	248.2	245.5	244.1	242.4
45.0	237.5	237.3	233.7	231.8	229.2	227.7	226.2	227.0	227.9	230.9	233.3	235.9	236.5	236.3	235.7	234.1	231.6	229.8
47.5	225.1	225.2	222.3	219.5	216.8	214.7	214.3	214.6	216.3	218.7	220.7	222.9	223.9	224.2	223.4	221.6	219.0	218.1
50.0	214.0	211.8	210.2	206.1	203.2	201.4	201.0	201.8	202.1	205.0	207.9	210.2	212.1	212.1	210.9	208.8	206.4	205.7
52.5	198.6	198.3	196.0	193.0	190.2	188.0	187.9	188.3	189.9	192.6	194.9	197.5	199.2	197.5	196.9	195.4	193.4	192.4
55.0	186.6	185.8	182.2	179.6	176.1	174.9	174.1	174.9	176.7	178.3	181.0	183.7	185.0	184.6	183.7	181.9	180.5	179.4
57.5	173.0	171.1	169.4	164.8	163.4	161.1	160.3	161.3	162.6	164.9	167.0	168.7	171.3	171.1	170.5	168.1	167.2	165.5
60.0	157.7	156.9	154.7	150.4	148.7	147.2	146.2	147.3	148.2	151.1	152.9	155.0	156.7	156.6	154.9	155.2	152.8	152.2
62.5	143.6	142.6	139.2	137.9	134.3	132.7	131.3	132.6	133.5	135.9	138.0	140.4	141.4	141.4	141.3	140.6	138.4	137.2
65.0	130.0	127.4	125.2	123.2	119.9	117.6	117.0	117.7	118.6	119.6	123.6	125.7	126.9	127.8	127.2	124.6	123.9	123.1
67.5	113.8	111.9	111.0	107.4	104.8	103.6	102.5	103.2	104.5	104.9	107.9	110.1	112.5	111.8	110.3	109.3	109.4	108.7
70.0	99.5	98.2	94.3	91.9	90.3	88.7	87.9	88.8	89.3	91.6	92.5	94.9	96.1	95.9	95.6	95.9	94.6	94.5
72.5	83.9	81.6	79.1	77.6	75.5	74.5	73.6	74.0	74.1	76.6	78.6	79.7	81.4	82.1	82.7	82.1	80.0	80.0
75.0	68.1	66.6	66.3	63.4	61.3	59.9	59.4	59.4	60.2	61.1	62.7	63.7	66.4	65.8	66.8	65.8	65.4	65.4
77.5	54.7	53.0	51.1	48.6	48.0	46.0	45.6	45.3	46.2	46.5	47.3	49.7	50.8	50.6	50.7	51.1	52.0	51.3
80.0	39.7	37.6	36.7	35.6	34.3	33.2	32.5	32.4	32.9	33.6	34.6	36.5	37.7	38.5	37.4	37.8	37.9	38.3
82.5	26.6	25.1	24.2	23.3	21.8	21.2	20.9	20.7	20.8	21.5	22.5	22.4	24.5	24.3	25.1	25.4	25.4	25.7
85.0	15.5	14.4	13.4	12.4	11.6	11.0	10.7	10.6	10.7	10.9	11.3	12.0	13.1	12.9	13.9	14.2	14.6	14.9

article code
Ecowat Co.

lamp(s)
1 x LED
total flux
3127 lm
LOR
100 %
tilt angle
0.0 °



luminaire : LineLight_LED_LN90-TH-4x1-W-NW_36W_4000K

file : LINELIGHT_LED_LN90-TH-4X1-W-NW_36W_4000K

article code

Ecowat Co.

lamp(s)

1 x LED

total flux

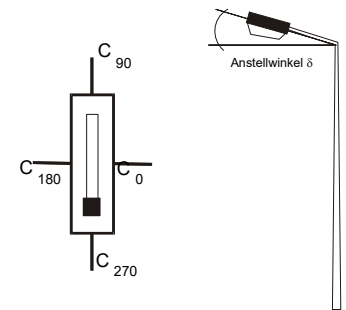
3127 lm

LOR

100 %

tilt angle

0.0 °



gamma / °	C 270	C 285	C 300	C 315	C 330	C 345
0.0	359.2	359.2	359.2	359.2	359.2	359.2
2.5	359.1	359.2	359.3	359.5	359.3	359.0
5.0	358.1	357.8	357.9	357.7	358.0	357.5
7.5	355.3	355.6	355.5	355.5	355.7	355.8
10.0	353.0	352.5	352.3	352.7	353.0	353.1
12.5	348.0	349.4	348.8	349.5	348.5	348.9
15.0	343.5	343.5	344.3	343.8	344.9	343.8
17.5	337.1	337.5	337.7	339.0	339.0	339.1
20.0	330.6	330.7	331.4	333.1	332.5	333.2
22.5	323.2	324.2	324.5	325.3	326.1	326.8
25.0	315.9	314.7	317.2	317.6	317.3	319.3
27.5	307.5	306.6	307.6	310.0	310.3	312.2
30.0	297.3	297.2	299.2	300.3	301.8	302.5
32.5	286.8	288.0	288.8	290.8	292.0	293.3
35.0	277.2	277.8	278.9	280.6	282.9	284.0
37.5	266.2	266.7	268.5	270.3	272.1	273.6
40.0	254.8	256.2	256.1	258.9	261.4	261.4
42.5	242.5	244.1	245.7	247.5	249.4	250.6
45.0	230.9	231.6	234.4	235.3	236.8	238.4
47.5	217.8	219.8	220.8	222.4	224.7	226.7
50.0	205.1	206.9	208.6	209.5	212.6	213.4
52.5	192.3	193.3	195.2	196.2	199.1	200.1
55.0	179.0	180.1	181.7	183.6	184.9	186.6
57.5	165.2	166.0	168.4	170.3	171.5	173.5
60.0	151.9	152.9	154.2	155.0	158.5	158.0
62.5	137.8	138.7	139.5	139.5	142.6	144.2
65.0	123.5	123.9	125.7	126.9	127.8	129.9
67.5	108.8	109.7	111.4	113.3	114.0	113.4
70.0	94.7	94.9	96.6	97.8	98.9	99.4
72.5	79.8	80.8	81.4	82.3	83.4	84.7
75.0	65.6	66.4	67.1	68.3	69.0	67.8
77.5	51.8	52.7	53.2	53.2	53.1	54.5
80.0	38.6	39.1	40.0	39.9	39.8	40.4
82.5	26.3	26.4	26.7	27.1	27.6	26.5
85.0	15.4	15.4	15.5	16.0	15.8	15.4

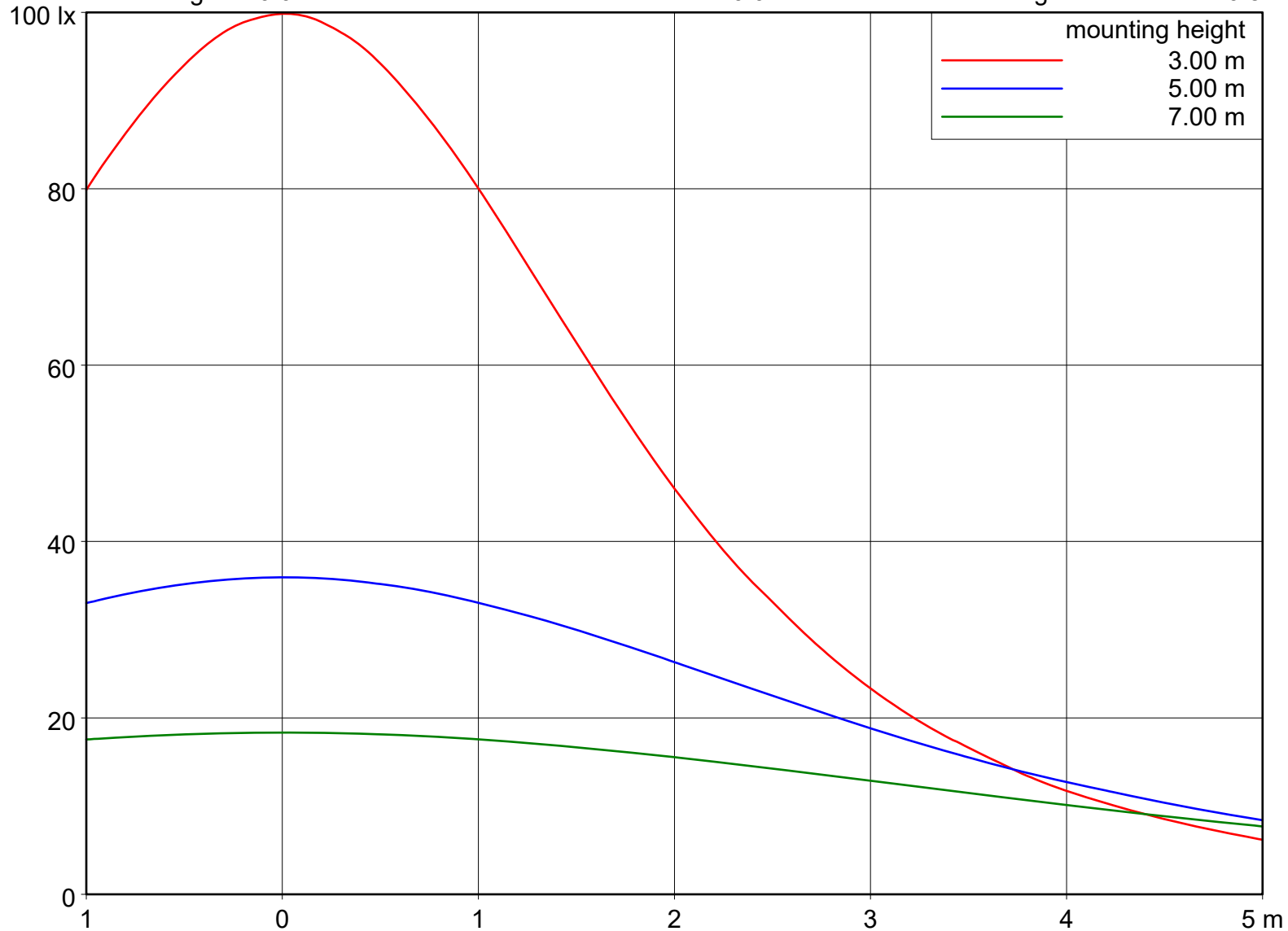


tilt angle : 0.0 °

swivel angle : 0.0 °

orientation : 0.0 °

light loss factor : 0.8



article code

Ecowat Co.

lamp(s)

1 x LED

total flux

3127 lm

LOR

100 %

tilt angle

0.0 °

