

file : LINELIGHT_LED_LN90-TH-2X2-W-NW_36W_4000K

meas. no. 00L1380
meas. date 6/15/2021
operator LightLab.

meas. conditions
 ambient temperature 25.0 °C
 voltage 230.00 V
 current 0.152 A
 power consumption 33.3 W
 Leistungsfaktor 0.950

meas. lamps lum. flux [lm]
 absolute measurement 2938.0 lm
 luminous efficacy 88 lm/w

dimensions of luminaire
 length 610 mm
 width 110 mm
 height 90 mm

dimensions of luminous area
 length 580 mm
 width 90 mm
 height C0 50 mm
 height C90 50 mm
 height C180 50 mm
 height C270 50 mm

reflector

cover

variant

measurement results

flux of luminaire 2938.0 lm
 classification / DIN A40
 lower flux fraction 99.99 %
 upper flux fraction 0.01 %
 intensity maximum 1066.2 cd
 in C-plane 175.0 °
 at gamma 2.5 °
 half value angle C0 : 55.6 °
 C90 : 53.6 °
 C180 : 54.6 °
 C270 : 55.2 °
 tenth value angle C0 : 80.7 °
 C90 : 78.9 °
 C180 : 79.8 °
 C270 : 80.8 °

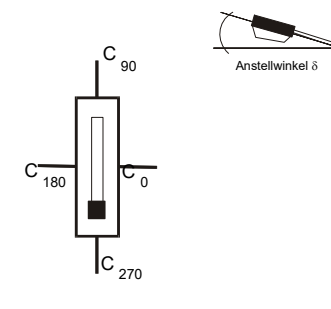
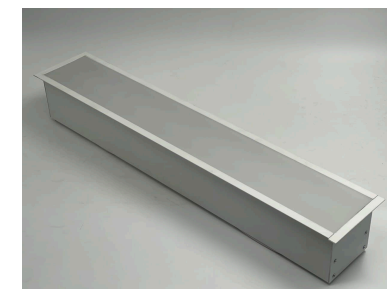
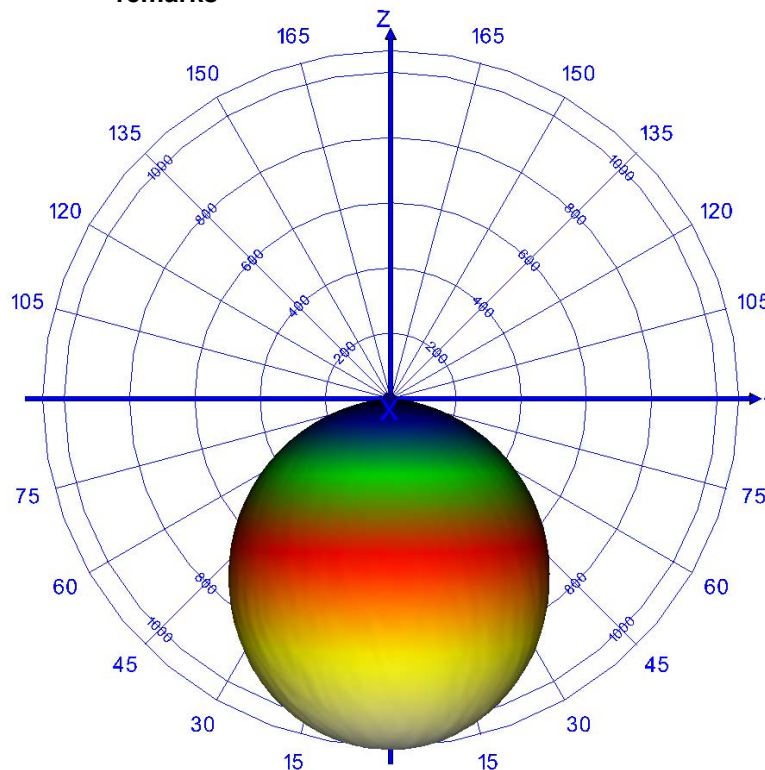
article code

Ecowat Co.

lamp(s)

1 x LED
 total flux 2938 lm
 LOR
 100 %
 tilt angle 0.0 °

remarks



article code

Ecowat Co.

lamp(s)

1 x LED

total flux

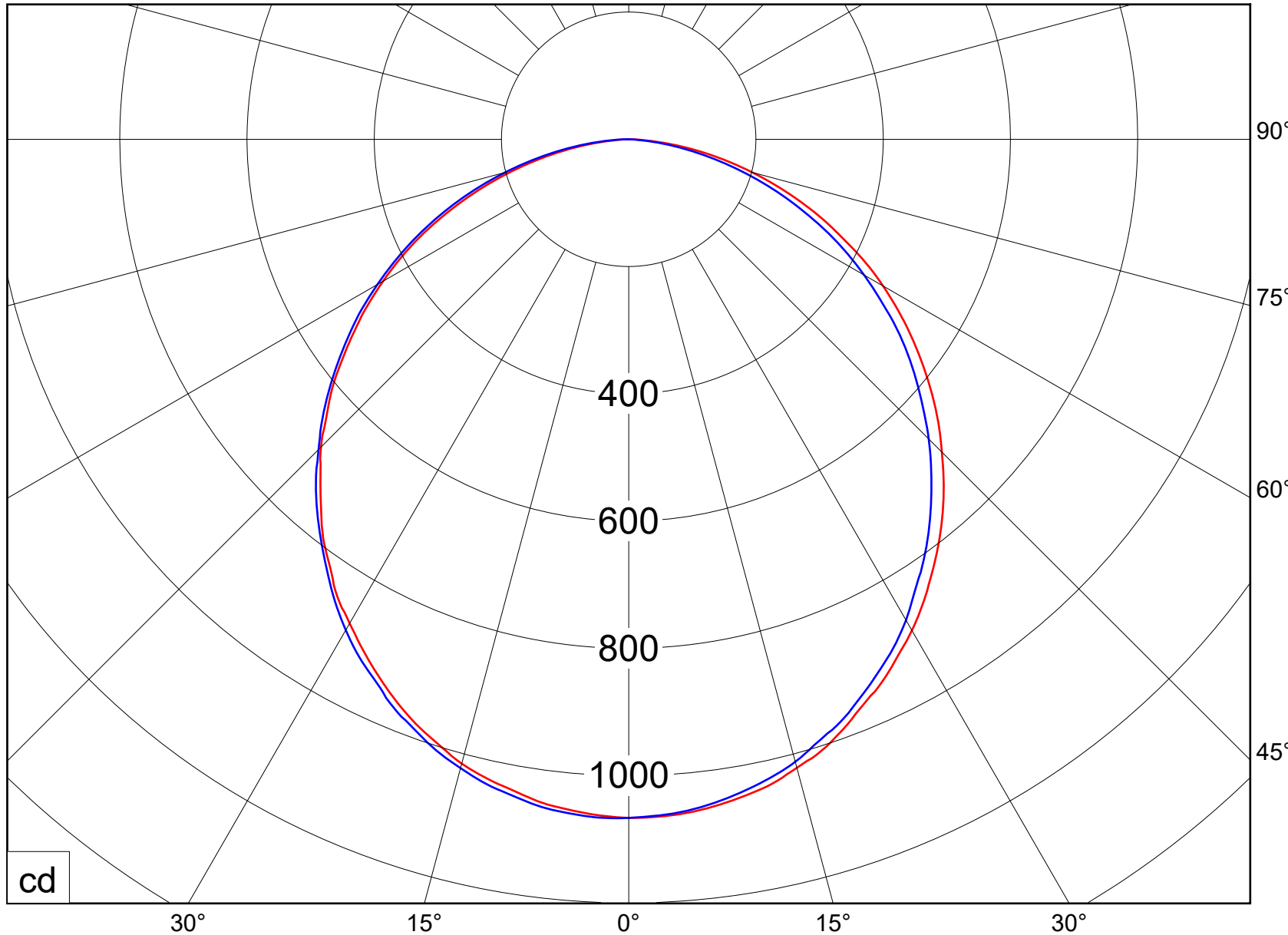
2938 lm

LOR

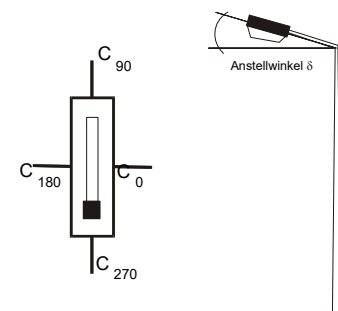
100 %

tilt angle

0.0 °



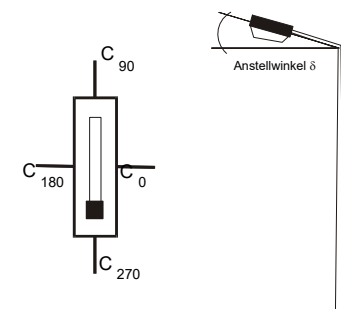
— C0.0-C180.0 — C90.0-C270.0



distance [m]	cone diameter [m]	E [lx]
1.0	2.92	E(0°) 1065 E(C0) 55.6° 301
2.0	5.84	E(0°) 266 E(C0) 55.6° 75
3.0	8.76	E(0°) 118 E(C0) 55.6° 33
4.0	11.68	E(0°) 67 E(C0) 55.6° 19
5.0	14.60	E(0°) 43 E(C0) 55.6° 12

article code
Ecowat Co.

lamp(s)
1 x LED
total flux
2938 lm
LOR
100 %
tilt angle
0.0 °



half value angle 111.2°

article code

Ecowat Co.

lamp(s)

1 x LED

total flux

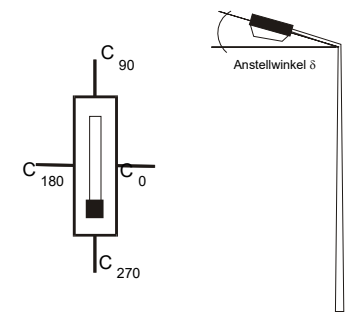
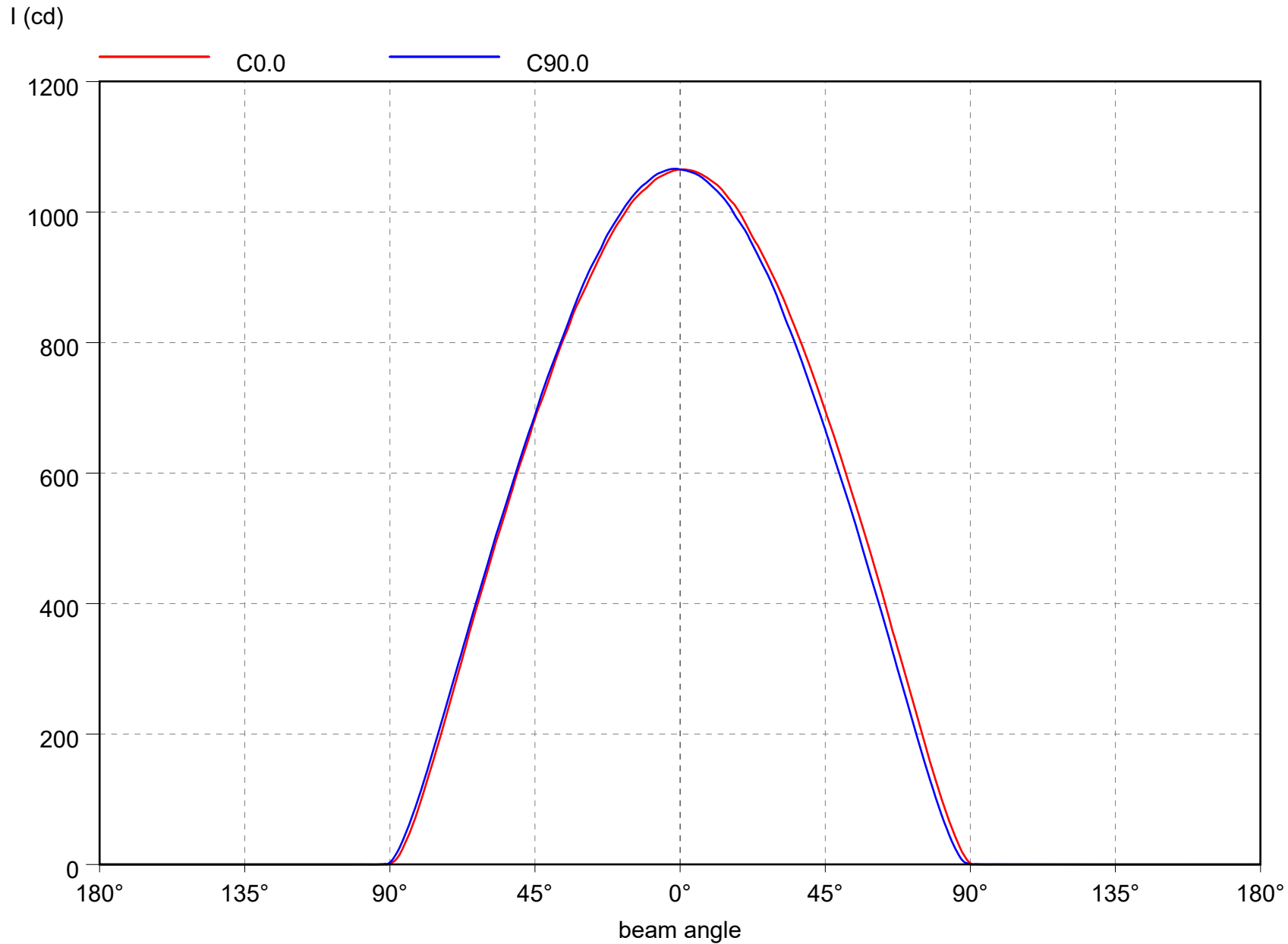
2938 lm

LOR

100 %

tilt angle

0.0 °



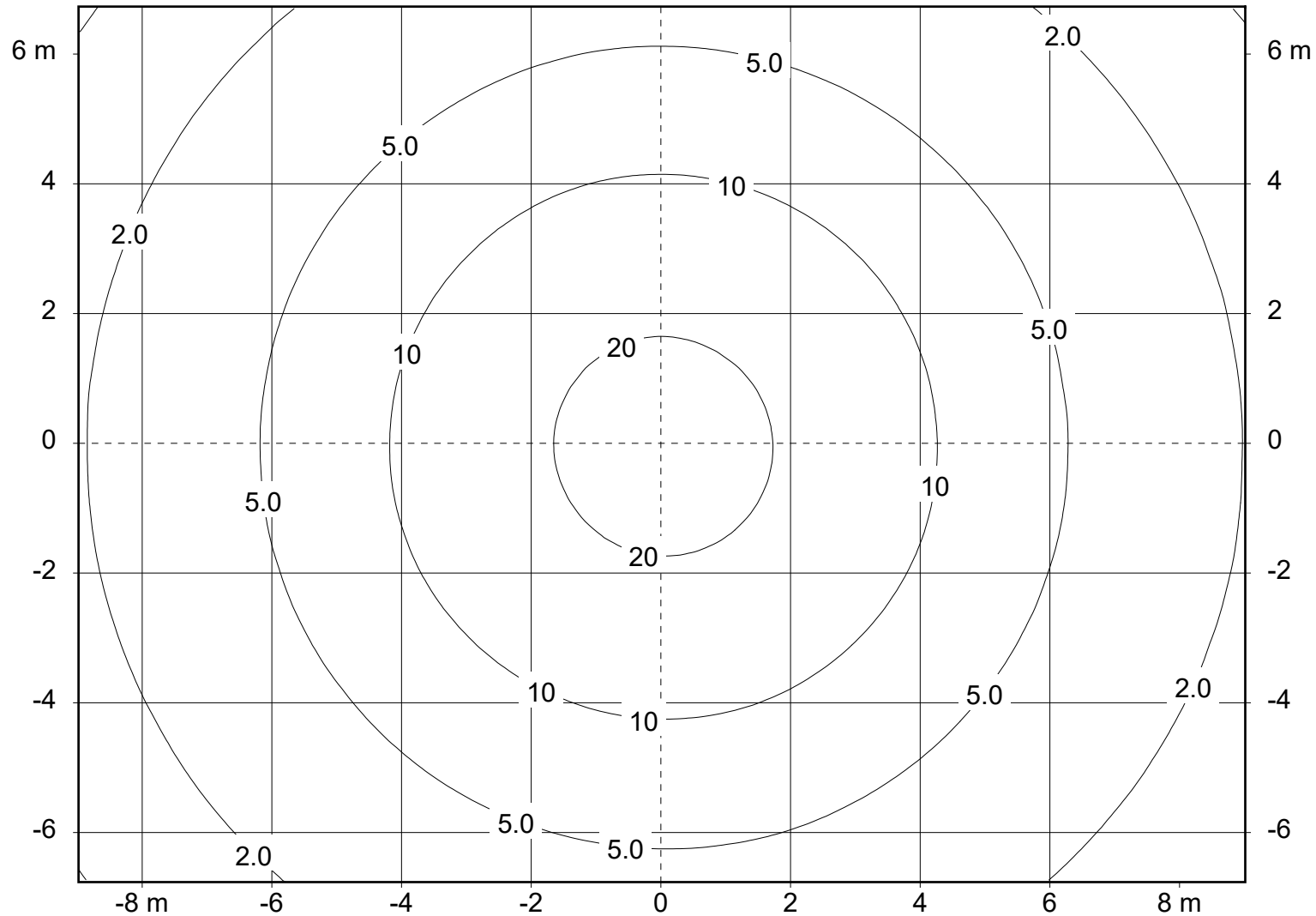
tilt angle : 0.0°

mounting height : 6.00 m

light loss factor : 0.8

swivel angle : 0.0°

orientation : 0.0°

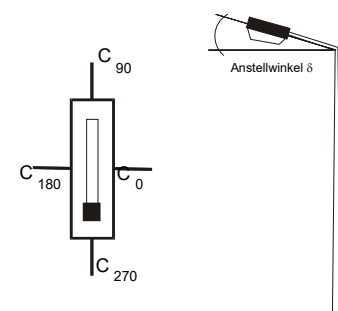


article code

Ecowat Co.

lamp(s)

1 x LED
 total flux
 2938 lm
 LOR
 100 %
 tilt angle
 0.0°



luminaire : LineLight_LED_LN90-TH-2x2-W-NW_36W_4000K

file : LINELIGHT_LED_LN90-TH-2X2-W-NW_36W_4000K

gamma / °	C 0	C 15	C 30	C 45	C 60	C 75	C 90	C 105	C 120	C 135	C 150	C 165	C 180	C 195	C 210	C 225	C 240	C 255
0.0	362.7	362.7	362.7	362.7	362.7	362.7	362.7	362.7	362.7	362.7	362.7	362.7	362.7	362.7	362.7	362.7	362.7	362.7
2.5	362.4	362.2	361.8	361.8	361.9	361.9	361.7	361.7	362.0	362.0	362.0	361.9	361.7	362.0	362.5	362.7	362.7	362.8
5.0	361.4	360.8	360.9	360.5	360.3	360.0	360.2	360.4	360.5	360.6	360.2	360.3	359.9	360.4	360.9	361.2	361.3	361.7
7.5	359.2	358.9	358.7	358.0	358.3	357.5	357.5	357.6	357.8	358.1	357.8	357.4	357.5	358.4	358.5	359.0	359.0	359.9
10.0	356.4	356.0	354.7	354.7	354.2	353.9	353.7	354.6	354.3	354.5	355.2	354.7	353.6	354.4	354.6	355.5	356.1	356.1
12.5	353.0	351.7	351.1	350.0	349.5	349.9	349.6	349.6	349.7	350.2	350.1	350.2	350.0	349.9	350.0	350.9	351.7	352.5
15.0	347.7	347.0	345.8	345.2	344.6	344.6	344.4	344.3	344.9	345.4	344.8	345.8	345.4	345.5	345.6	345.6	346.0	347.3
17.5	342.7	341.4	340.6	339.1	338.3	338.4	337.5	338.1	338.4	338.0	338.9	339.5	339.0	339.0	339.6	340.3	339.9	341.5
20.0	335.5	334.3	334.0	333.0	331.0	331.1	331.3	331.2	331.6	332.3	333.0	332.5	332.6	333.1	333.3	333.7	333.4	334.9
22.5	327.3	327.7	325.8	324.7	323.8	323.5	323.2	323.8	323.6	324.0	324.6	325.6	325.0	325.5	325.1	326.0	325.7	327.1
25.0	320.2	319.7	318.2	316.9	315.5	314.8	314.9	315.1	316.1	316.0	316.6	317.5	316.6	316.9	318.4	318.1	317.7	319.4
27.5	311.5	312.2	309.5	307.9	306.6	304.6	306.5	306.2	306.4	306.8	308.4	308.2	307.8	308.8	308.9	308.8	309.5	310.8
30.0	303.0	301.6	300.6	298.6	296.9	295.9	296.6	297.0	297.0	297.8	298.4	299.3	298.5	299.5	300.7	299.6	299.9	300.3
32.5	293.3	292.6	290.8	288.5	286.5	285.4	285.3	286.3	285.9	286.5	288.0	288.6	289.9	289.2	289.5	290.8	290.1	291.0
35.0	282.7	281.5	279.3	278.5	275.9	274.6	274.9	275.3	275.4	276.2	276.8	278.6	278.7	278.6	279.5	279.6	279.9	280.0
37.5	272.2	271.1	269.2	268.5	264.5	263.3	263.6	264.3	265.0	264.9	266.0	267.1	268.4	268.7	268.9	269.0	268.8	268.4
40.0	261.2	260.0	257.0	255.2	252.8	251.9	251.6	252.6	252.2	253.4	254.4	255.6	256.1	256.9	257.1	257.0	256.8	257.3
42.5	249.2	247.4	245.6	243.7	241.3	239.8	239.3	240.4	240.6	240.4	242.0	243.5	243.9	245.4	245.4	245.3	246.1	246.0
45.0	236.8	235.5	233.3	231.1	229.1	227.6	226.9	227.2	228.0	228.4	230.0	231.2	232.7	233.1	233.6	233.3	233.7	233.4
47.5	224.6	222.9	220.8	218.3	216.8	213.8	213.7	214.5	215.4	215.6	217.3	219.1	219.2	220.3	221.2	220.4	221.4	220.8
50.0	211.7	210.0	207.9	205.8	203.1	201.5	200.8	201.7	202.4	202.9	204.4	205.2	206.9	207.3	208.4	208.3	208.4	207.7
52.5	198.2	197.0	194.1	191.7	189.4	187.6	187.9	188.1	188.2	188.6	190.6	192.2	193.0	193.9	194.9	194.2	194.8	194.6
55.0	184.9	183.4	180.4	178.4	176.3	174.4	174.1	174.3	174.7	174.8	176.8	178.3	179.2	180.1	180.1	180.9	181.6	181.2
57.5	171.0	169.4	166.9	164.7	161.8	160.0	159.4	160.2	160.4	161.4	162.8	163.5	165.9	166.7	167.1	167.1	167.7	167.7
60.0	157.2	155.1	152.9	149.8	147.7	146.0	145.4	145.7	146.1	146.8	148.8	149.6	151.5	151.8	153.2	152.8	153.5	153.9
62.5	142.8	140.4	138.5	135.9	133.6	131.8	131.3	131.4	131.5	132.6	133.6	135.4	137.6	137.6	138.9	138.5	139.2	139.7
65.0	127.2	126.0	124.2	121.1	119.2	117.1	116.8	116.6	116.8	118.5	119.2	121.0	122.9	122.9	124.4	124.5	124.7	125.7
67.5	112.8	110.9	109.3	105.9	104.2	102.5	101.7	101.9	102.0	103.1	104.1	106.1	107.6	108.3	109.2	110.0	110.2	110.9
70.0	98.1	96.1	93.3	91.4	89.5	87.8	87.1	87.0	87.2	88.1	89.1	90.7	92.5	93.4	94.0	95.3	95.6	96.4
72.5	83.3	80.9	78.7	76.8	74.7	73.2	72.4	72.3	72.4	73.3	74.6	75.6	77.7	78.6	79.1	80.3	81.0	81.8
75.0	68.6	66.2	64.0	62.2	60.4	58.9	57.9	57.7	58.0	58.5	60.2	60.8	62.9	63.3	64.7	65.8	66.3	67.0
77.5	53.7	51.8	49.7	48.1	46.3	44.9	44.2	43.9	44.1	44.2	46.3	46.7	49.0	49.0	50.7	51.6	52.1	53.0
80.0	40.0	38.2	36.6	34.8	33.1	32.1	31.2	30.9	31.0	31.3	32.3	33.7	35.3	35.6	37.3	38.0	38.6	39.5
82.5	27.3	25.4	24.1	22.5	21.0	20.3	19.6	19.2	19.2	19.7	20.1	21.4	22.5	23.2	24.9	25.2	26.2	27.1
85.0	15.9	14.0	12.9	12.1	10.7	10.0	9.5	9.4	9.3	9.7	9.9	10.7	12.1	12.4	13.6	14.3	15.2	15.9

article code

Ecowat Co.

lamp(s)

1 x LED

total flux

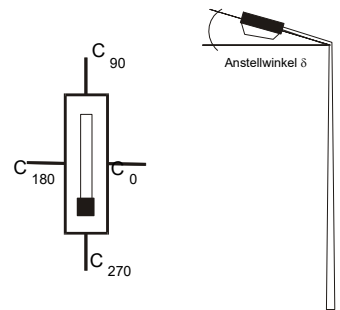
2938 lm

LOR

100 %

tilt angle

0.0 °



luminaire : LineLight_LED_LN90-TH-2x2-W-NW_36W_4000K

file : LINELIGHT_LED_LN90-TH-2X2-W-NW_36W_4000K

gamma / °	C 270	C 285	C 300	C 315	C 330	C 345
0.0	362.7	362.7	362.7	362.7	362.7	362.7
2.5	362.9	362.7	362.4	362.5	362.5	362.4
5.0	361.7	361.9	362.3	361.8	362.2	361.8
7.5	359.8	360.4	360.4	360.5	360.4	360.3
10.0	356.3	357.3	357.8	357.5	357.8	357.4
12.5	352.8	353.5	353.6	353.8	354.0	353.6
15.0	347.9	348.7	349.1	349.3	349.1	348.5
17.5	342.4	343.4	343.3	343.8	343.3	342.9
20.0	335.5	335.5	337.1	337.7	337.3	336.7
22.5	328.7	329.4	330.9	330.1	330.5	329.0
25.0	319.9	321.5	322.1	322.9	322.0	321.8
27.5	312.0	312.6	313.4	314.0	313.7	313.6
30.0	302.8	301.9	304.0	304.0	304.2	304.2
32.5	292.4	293.4	293.8	294.1	294.3	294.0
35.0	281.3	282.3	283.9	283.5	283.7	284.0
37.5	270.2	272.6	272.8	273.7	273.3	272.8
40.0	259.2	261.1	261.3	262.0	262.3	262.5
42.5	247.6	249.1	250.2	250.2	251.1	250.0
45.0	234.5	236.6	237.8	238.5	238.3	238.0
47.5	222.4	223.8	224.3	225.8	226.0	225.4
50.0	209.4	211.7	212.1	212.3	212.6	212.2
52.5	195.9	198.1	198.5	198.2	199.7	199.4
55.0	182.7	184.3	185.1	185.1	186.0	185.9
57.5	169.4	171.1	171.3	171.6	172.3	171.7
60.0	155.1	156.6	157.1	157.6	158.0	157.4
62.5	140.9	142.2	142.9	143.6	143.9	142.7
65.0	126.7	127.9	128.4	129.1	128.7	128.3
67.5	112.1	113.5	113.6	114.3	114.1	113.5
70.0	97.4	98.7	98.7	99.2	99.1	98.9
72.5	83.0	84.1	84.3	84.5	84.8	83.6
75.0	68.6	69.2	69.6	69.7	70.0	68.4
77.5	54.1	54.9	55.5	54.8	55.0	54.1
80.0	40.5	41.4	41.8	41.2	41.6	40.3
82.5	27.9	28.5	28.6	28.6	28.4	27.6
85.0	16.6	17.1	17.0	17.2	16.6	16.1

article code

Ecowat Co.

lamp(s)

1 x LED

total flux

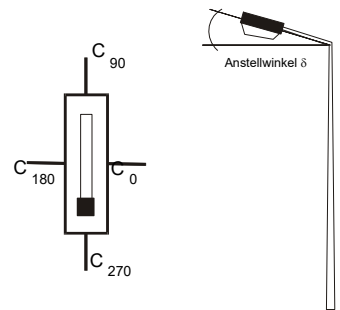
2938 lm

LOR

100 %

tilt angle

0.0 °

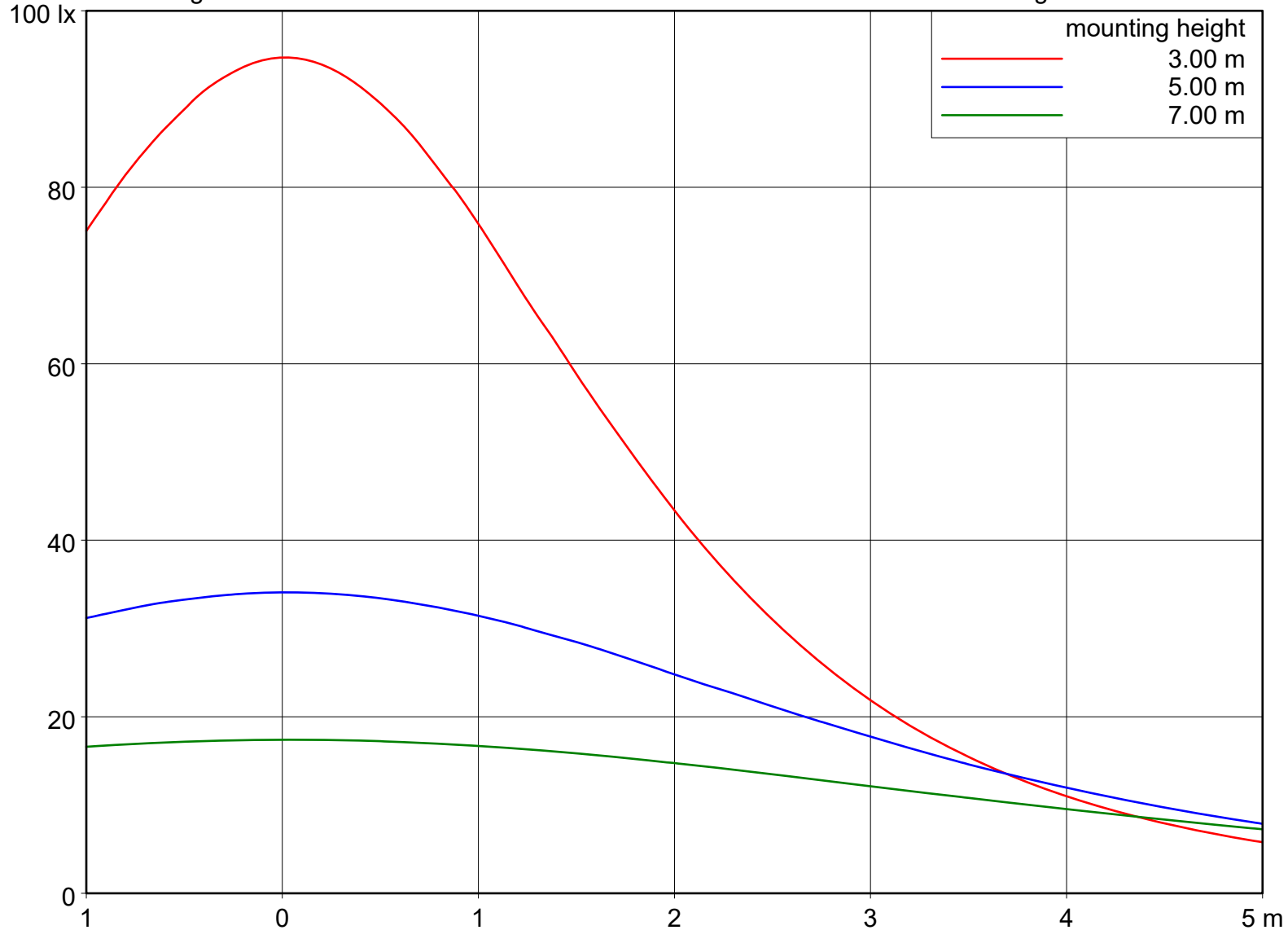


tilt angle : 0.0 °

swivel angle : 0.0 °

orientation : 0.0 °

light loss factor : 0.8



article code

Ecowat Co.

lamp(s)

1 x LED

total flux

2938 lm

LOR

100 %

tilt angle

0.0 °

