

file : LINELIGHT\_LED\_LN90-TH-2X1-W-NW\_18W\_4000K

**meas. no.** 00L1381  
**meas. date** 6/15/2021  
**operator** LightLab.

**meas. conditions**  
 ambient temperature 25.0 °C  
 voltage 230.00 V  
 current 0.077 A  
 power consumption 17.3 W  
 Leistungsfaktor 0.974

**meas. lamps** lum. flux [lm]  
 absolute measurement 1488.7 lm  
 luminous efficacy 86 lm/w

**dimensions of luminaire**  
 length 610 mm  
 width 110 mm  
 height 90 mm

**dimensions of luminous area**  
 length 580 mm  
 width 90 mm  
 height C0 50 mm  
 height C90 50 mm  
 height C180 50 mm  
 height C270 50 mm

**reflector**

**cover**

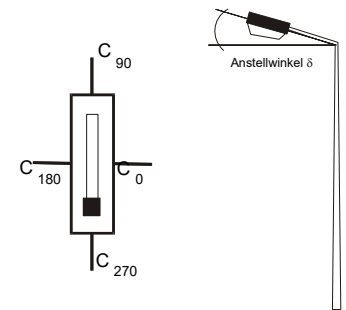
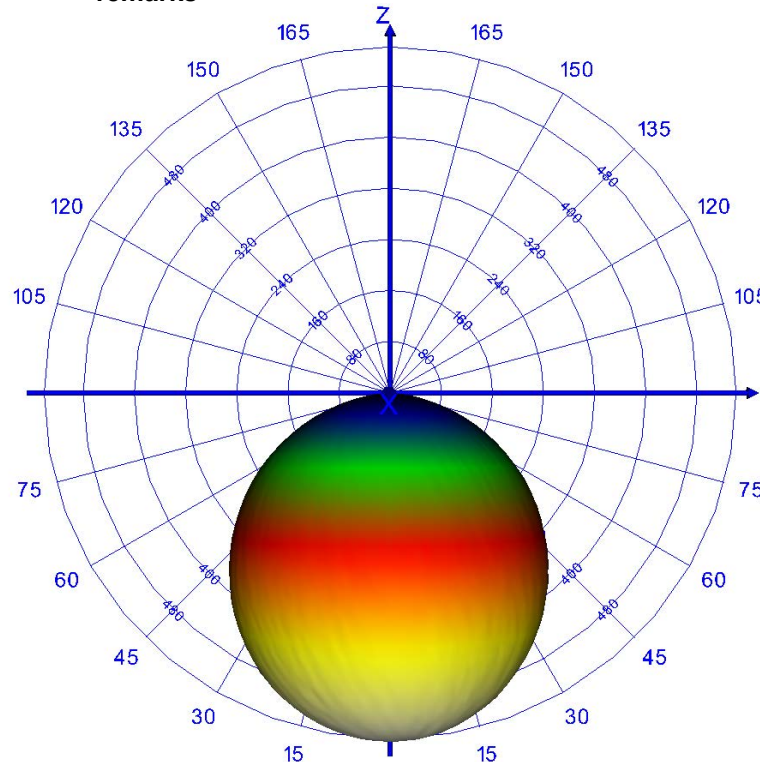
**variant**

**measurement results**  
 flux of luminaire 1488.7 lm  
 classification / DIN A40  
 lower flux fraction 99.99 %  
 upper flux fraction 0.01 %  
 intensity maximum 541.0 cd  
 in C-plane 177.5 °  
 at gamma 2.5 °  
 half value angle C0 : 55.5 °  
 C90 : 53.3 °  
 C180 : 54.8 °  
 C270 : 55.3 °  
 tenth value angle C0 : 80.5 °  
 C90 : 78.8 °  
 C180 : 79.8 °  
 C270 : 80.7 °

**article code**  
 Ecowat Co.

**lamp(s)**  
 1 x LED  
 total flux 1489 lm  
 LOR  
 100 %  
 tilt angle 0.0 °

**remarks**



**article code**

Ecowat Co.

**lamp(s)**

1 x LED

total flux

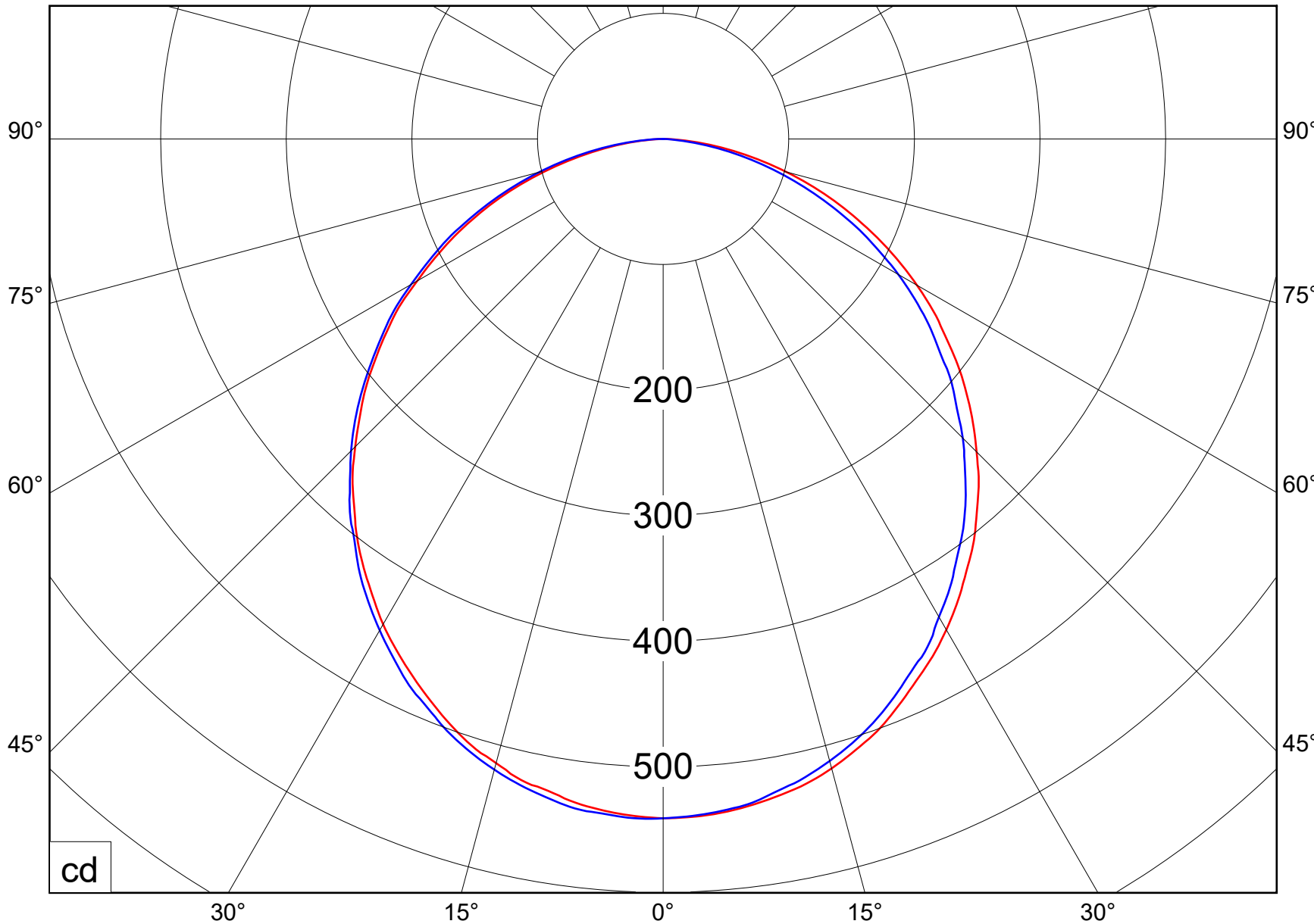
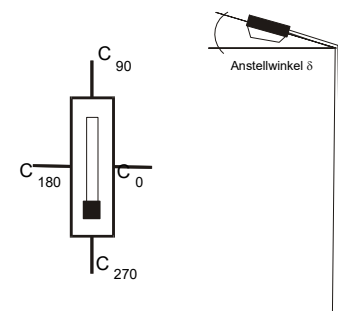
1489 lm

LOR

100 %

tilt angle

0.0 °



cd

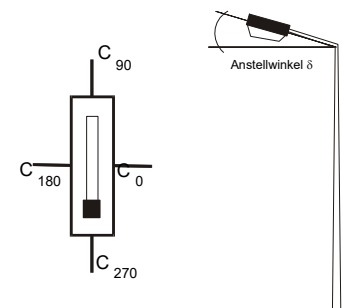
— C0.0-C180.0

— C90.0-C270.0

distance [m]	cone diameter [m]	E [lx]
1.0	2.91	E(0°) 541 E(C0) 55.5° 153
2.0	5.82	E(0°) 135 E(C0) 55.5° 38
3.0	8.73	E(0°) 60 E(C0) 55.5° 17
4.0	11.64	E(0°) 34 E(C0) 55.5° 10
5.0	14.55	E(0°) 22 E(C0) 55.5° 6

article code  
Ecowat Co.

lamp(s)  
1 x LED  
total flux  
1489 lm  
LOR  
100 %  
tilt angle  
0.0 °



half value angle 111.0°

article code

Ecowat Co.

lamp(s)

1 x LED

total flux

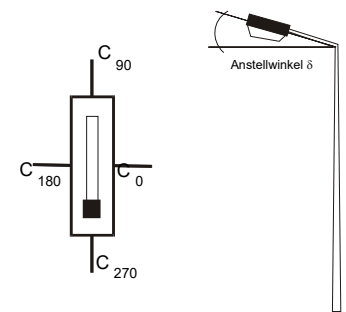
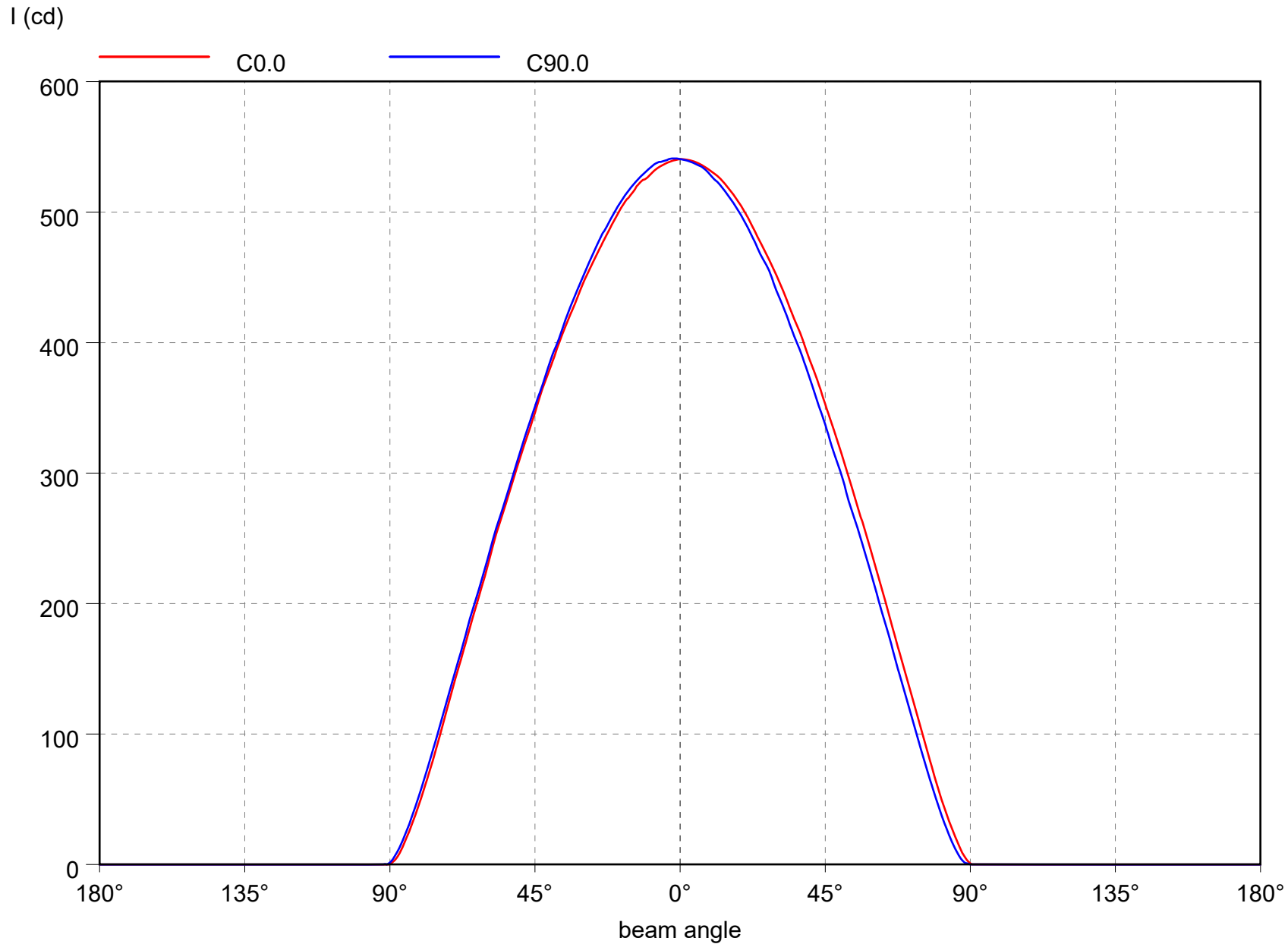
1489 lm

LOR

100 %

tilt angle

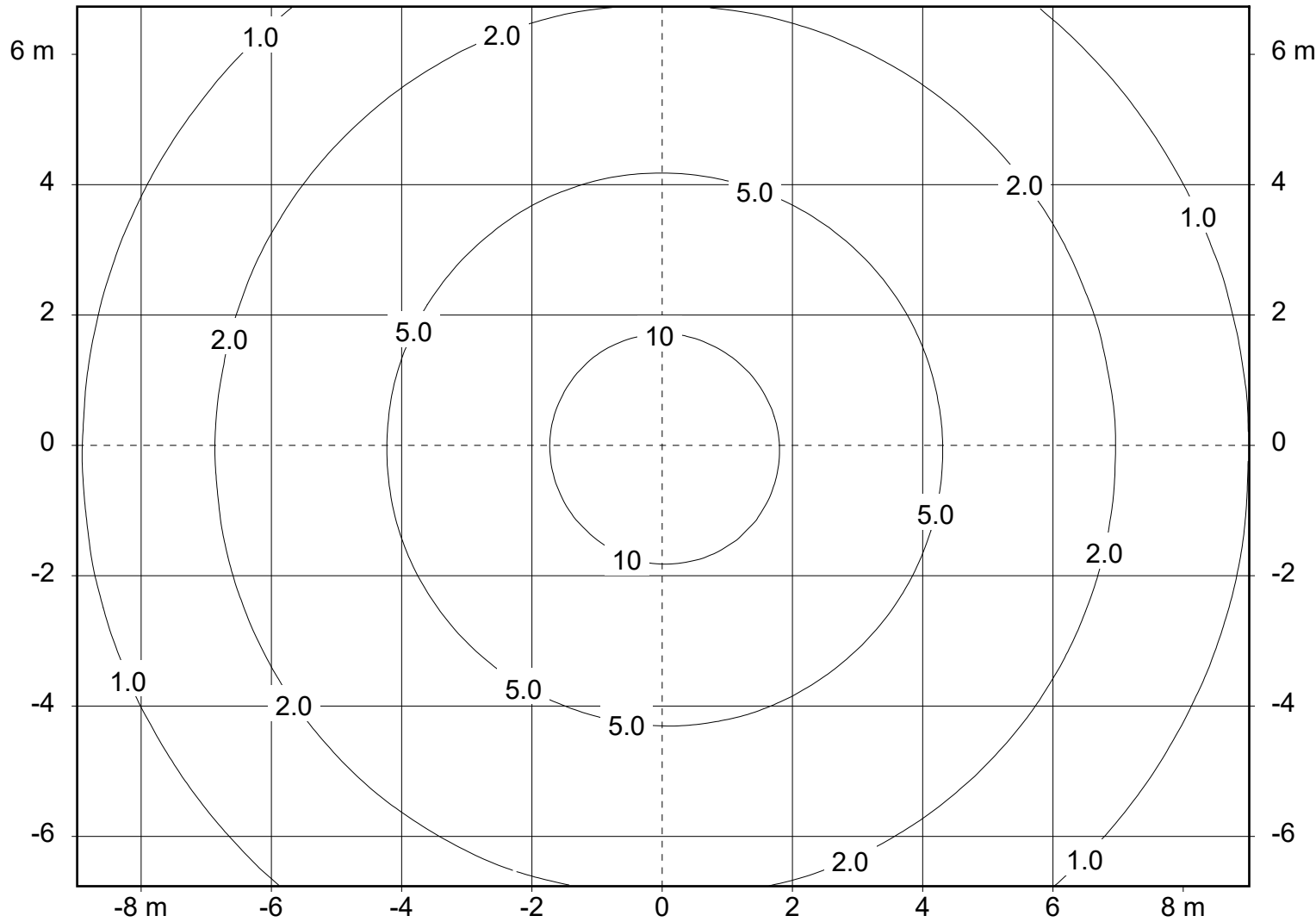
0.0 °



tilt angle : 0.0°  
swivel angle : 0.0°

mounting height : 6.00 m  
orientation : 0.0°

light loss factor : 0.8

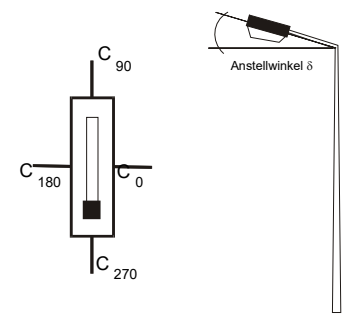


**article code**

Ecowat Co.

**lamp(s)**

1 x LED  
total flux  
1489 lm  
LOR  
100 %  
tilt angle  
0.0°



luminaire : LineLight\_LED\_LN90-TH-2x1-W-NW\_18W\_4000K

file : LINELIGHT\_LED\_LN90-TH-2X1-W-NW\_18W\_4000K

gamma / °	C 0	C 15	C 30	C 45	C 60	C 75	C 90	C 105	C 120	C 135	C 150	C 165	C 180	C 195	C 210	C 225	C 240	C 255
0.0	363.1	363.1	363.1	363.1	363.1	363.1	363.1	363.1	363.1	363.1	363.1	363.1	363.1	363.1	363.1	363.1	363.1	363.1
2.5	362.6	362.6	362.4	362.2	362.2	362.2	362.1	362.2	362.2	362.2	362.1	362.2	362.1	362.1	362.4	362.7	363.1	363.3
5.0	361.4	361.3	361.2	360.9	360.4	360.3	360.5	360.5	360.3	360.7	360.6	360.3	360.4	360.8	361.4	361.7	361.8	362.1
7.5	359.2	358.8	358.6	358.4	357.7	357.8	358.1	357.7	358.3	358.3	358.5	358.1	357.8	358.1	358.6	359.6	359.8	360.2
10.0	356.4	355.7	355.0	354.6	354.5	354.1	353.8	354.2	354.5	355.3	355.2	355.3	353.9	354.1	355.2	355.6	356.6	356.9
12.5	353.0	351.7	350.7	349.8	349.5	349.0	349.6	350.0	349.9	350.3	350.5	350.8	350.9	350.3	350.2	350.6	352.4	353.4
15.0	348.2	346.9	345.9	344.8	343.8	344.2	344.0	344.4	344.7	345.3	345.3	345.5	345.3	345.6	345.7	346.0	346.6	348.5
17.5	342.4	340.9	339.7	338.5	337.5	338.0	338.1	338.1	338.9	339.0	338.8	339.8	340.1	340.0	339.7	339.6	341.1	342.5
20.0	336.1	334.5	333.4	331.7	330.7	330.9	330.9	331.5	332.1	332.3	333.0	333.5	332.9	333.6	333.3	332.8	333.0	335.5
22.5	328.1	328.0	326.0	324.8	322.9	322.5	322.7	323.0	323.9	324.1	325.0	324.9	325.0	325.5	325.6	326.1	326.4	328.1
25.0	319.7	319.0	318.1	316.3	314.5	313.7	313.9	315.4	315.3	315.1	316.8	316.6	316.8	318.6	317.9	318.8	318.4	320.6
27.5	311.8	310.9	308.7	307.6	305.3	304.5	306.0	306.7	307.0	307.0	308.0	309.0	308.3	308.9	309.9	309.7	310.1	310.7
30.0	302.7	301.6	300.1	298.1	296.6	294.8	294.9	295.9	296.2	296.7	298.3	298.9	299.4	299.9	300.4	300.6	300.2	301.2
32.5	293.0	291.9	289.4	287.7	286.1	285.5	284.9	286.5	286.5	285.8	288.5	288.9	289.2	290.3	290.5	290.5	290.3	290.9
35.0	282.4	280.8	280.1	276.8	275.5	273.8	273.6	274.8	275.5	276.3	277.0	278.7	279.2	280.5	280.5	280.1	280.1	280.6
37.5	272.3	270.0	268.1	266.8	264.5	261.9	263.2	264.3	264.1	264.7	266.6	267.1	268.6	268.7	269.4	269.1	269.9	269.8
40.0	260.7	259.7	256.6	254.7	252.4	250.1	251.4	252.0	252.7	252.9	255.1	256.0	256.9	257.6	258.1	258.2	257.9	257.3
42.5	249.6	247.9	245.6	242.1	240.8	238.8	238.7	240.1	241.1	241.4	242.4	243.8	245.7	245.6	246.5	246.4	246.1	245.5
45.0	236.9	235.5	233.1	230.3	227.9	225.2	226.4	227.5	227.7	228.3	229.6	231.7	232.7	233.1	233.5	233.8	234.2	233.5
47.5	224.5	222.7	220.2	217.4	214.9	214.0	212.9	214.5	215.0	215.5	217.2	219.5	219.9	221.0	221.0	221.9	221.1	221.3
50.0	211.7	210.4	207.3	204.0	201.7	200.0	200.6	201.3	201.3	202.5	203.9	205.4	207.5	207.5	209.1	209.0	208.3	207.6
52.5	198.4	196.3	194.6	191.3	188.5	186.7	186.1	187.9	187.9	189.2	191.4	192.5	194.0	195.0	195.3	195.3	195.7	195.2
55.0	184.3	182.8	179.9	177.4	174.4	172.8	173.3	173.9	174.2	175.5	176.9	179.1	180.7	180.7	181.6	181.8	181.3	181.4
57.5	171.2	168.3	165.7	163.5	161.2	159.3	159.4	159.9	160.3	161.1	163.3	164.5	167.3	167.1	167.4	168.2	168.3	167.7
60.0	156.7	154.5	151.8	149.1	146.8	145.4	145.3	146.1	146.4	146.8	148.2	150.6	151.8	153.3	153.0	153.8	154.4	153.7
62.5	142.2	140.0	137.0	135.0	132.1	130.5	130.4	131.0	131.5	132.5	133.7	135.8	137.3	138.2	138.8	139.3	139.8	140.0
65.0	127.4	124.9	122.7	120.4	117.8	116.2	116.3	116.3	116.7	117.7	119.5	120.5	123.0	123.4	124.3	124.6	125.3	125.3
67.5	112.3	110.3	108.0	105.9	103.1	101.5	101.1	101.4	101.8	102.8	105.1	105.9	108.2	108.4	110.1	110.3	110.5	111.1
70.0	97.7	95.4	93.1	90.9	88.7	87.0	86.6	86.7	87.0	87.9	90.1	91.2	93.7	93.9	95.8	95.3	95.7	96.7
72.5	83.0	80.3	78.3	75.6	73.7	72.3	72.0	72.0	72.4	73.0	74.8	76.6	78.7	79.2	80.5	80.8	81.0	82.1
75.0	68.2	65.5	64.0	60.9	59.2	58.1	57.6	57.7	57.8	58.5	59.6	61.8	63.3	64.5	65.0	66.0	66.4	67.5
77.5	53.4	50.6	49.1	47.3	45.5	44.4	43.6	43.8	43.8	44.5	45.4	47.4	49.0	49.6	50.4	51.8	52.4	53.5
80.0	39.2	37.2	35.3	34.2	32.5	31.3	30.7	30.7	30.6	31.7	32.6	33.5	35.8	35.9	36.9	38.3	39.0	39.6
82.5	26.5	24.9	23.4	22.2	20.7	19.7	19.1	19.1	19.2	20.2	20.6	21.5	23.7	23.9	25.0	25.9	26.5	27.0
85.0	15.6	13.8	12.8	11.7	10.5	9.7	9.1	9.3	9.5	10.1	10.8	11.4	13.0	13.2	14.2	15.0	15.5	15.9

article code

Ecowat Co.

lamp(s)

1 x LED

total flux

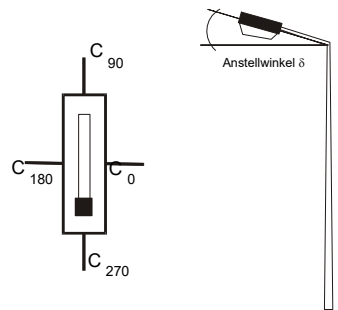
1489 lm

LOR

100 %

tilt angle

0.0 °



luminaire : LineLight\_LED\_LN90-TH-2x1-W-NW\_18W\_4000K

file : LINELIGHT\_LED\_LN90-TH-2X1-W-NW\_18W\_4000K

article code

Ecowat Co.

lamp(s)

1 x LED

total flux

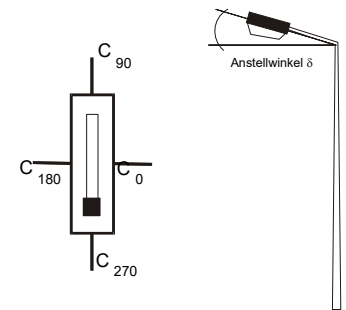
1489 lm

LOR

100 %

tilt angle

0.0 °



gamma / °	C 270	C 285	C 300	C 315	C 330	C 345
0.0	363.1	363.1	363.1	363.1	363.1	363.1
2.5	363.4	363.3	363.1	363.1	363.1	362.8
5.0	362.1	362.3	362.4	362.7	362.5	362.0
7.5	360.9	361.0	360.8	360.8	360.8	360.5
10.0	357.5	358.2	358.5	358.3	358.3	357.2
12.5	353.6	354.6	354.6	355.1	354.3	353.8
15.0	348.9	349.8	349.8	350.0	350.1	348.9
17.5	343.4	344.1	344.5	345.1	344.0	343.4
20.0	336.9	337.5	338.5	338.2	337.6	337.0
22.5	329.1	330.0	331.6	331.2	330.4	329.8
25.0	321.7	322.7	323.8	322.5	323.1	322.2
27.5	312.4	313.2	314.5	314.6	314.5	313.3
30.0	303.1	305.7	305.3	305.5	305.7	304.2
32.5	293.2	294.2	295.3	295.9	295.1	295.0
35.0	282.8	284.8	285.5	285.1	284.5	284.8
37.5	271.0	273.3	273.8	273.6	274.0	274.0
40.0	260.3	262.1	262.5	262.5	262.7	262.3
42.5	247.7	250.6	250.4	250.3	250.5	250.4
45.0	235.8	238.2	238.2	237.8	238.2	238.5
47.5	223.3	225.6	225.2	226.2	226.2	224.9
50.0	210.3	212.7	212.7	213.2	212.7	212.7
52.5	196.6	198.8	199.5	200.2	199.9	199.0
55.0	183.5	186.1	185.7	186.1	185.8	186.3
57.5	170.3	171.1	172.1	171.6	172.0	171.7
60.0	155.5	157.0	157.9	157.2	158.4	157.5
62.5	141.1	143.1	143.3	142.8	143.9	142.3
65.0	127.4	128.4	128.5	128.6	128.9	127.5
67.5	112.2	113.6	113.7	113.8	114.2	112.9
70.0	97.7	98.7	99.2	99.3	99.1	98.6
72.5	83.2	83.9	84.2	84.6	84.0	83.7
75.0	68.4	69.4	69.3	69.4	69.0	68.2
77.5	54.2	55.0	54.9	54.8	54.5	53.3
80.0	40.5	41.2	41.4	40.8	40.4	39.6
82.5	27.8	28.4	28.7	28.4	27.9	26.9
85.0	16.5	16.9	17.1	16.8	16.7	15.9

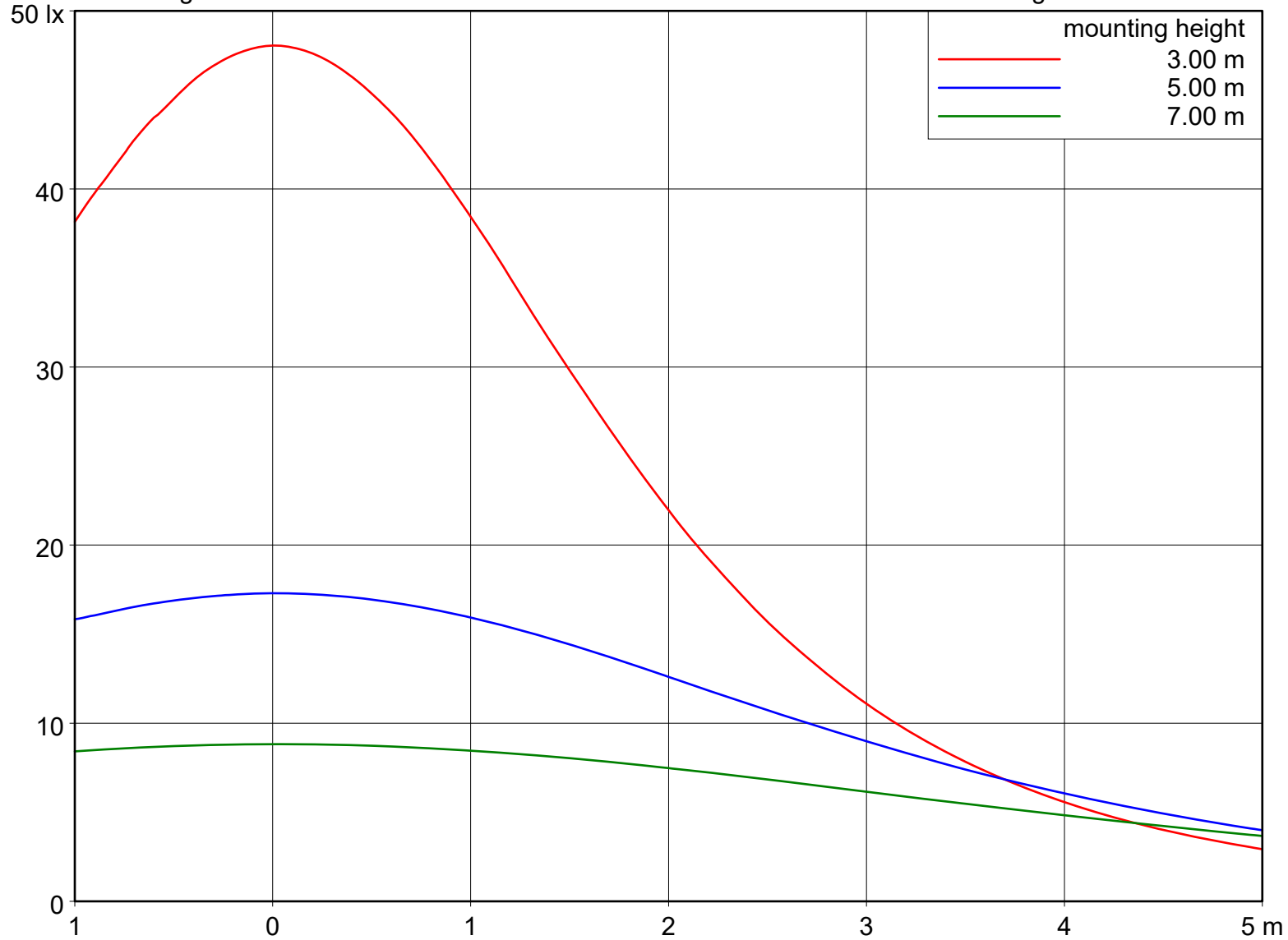


tilt angle : 0.0 °

swivel angle : 0.0 °

orientation : 0.0 °

light loss factor : 0.8



**article code**

Ecowat Co.

**lamp(s)**

1 x LED

total flux

1489 lm

LOR

100 %

tilt angle

0.0 °

