

file : LINELIGHT_LED_LN60-SM-2X1-W-NW_18W_4000K

meas. no. 00L1382
meas. date 6/19/2021
operator LightLab.

meas. conditions
ambient temperature 25.0 °C
voltage 230.00 V
current 0.078 A
power consumption 17.6 W
Leistungsfaktor 0.975

meas. lamps lum. flux [lm]
absolute measurement 1362.5 lm
luminous efficacy 76 lm/w

measurement results
flux of luminaire 1362.5 lm
classification / DIN A40
lower flux fraction 99.99 %
upper flux fraction 0.01 %
intensity maximum 498.1 cd
in C-plane 207.5 °
at gamma 2.5 °
half value angle C0 : 55.1 °
C90 : 52.5 °
C180 : 54.9 °
C270 : 55.4 °
tenth value angle C0 : 80.2 °
C90 : 78.7 °
C180 : 80.1 °
C270 : 80.8 °

article code
Ecowat Co.

lamp(s)
1 x LED
total flux 1363 lm
LOR
100 %
tilt angle 0.0 °

dimensions of luminaire
length 595 mm
width 65 mm
height 90 mm

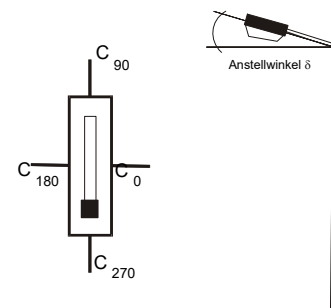
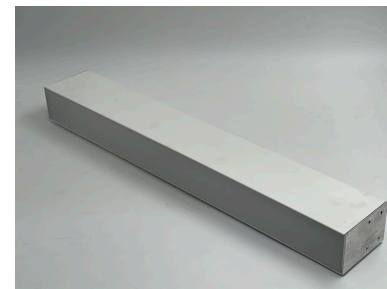
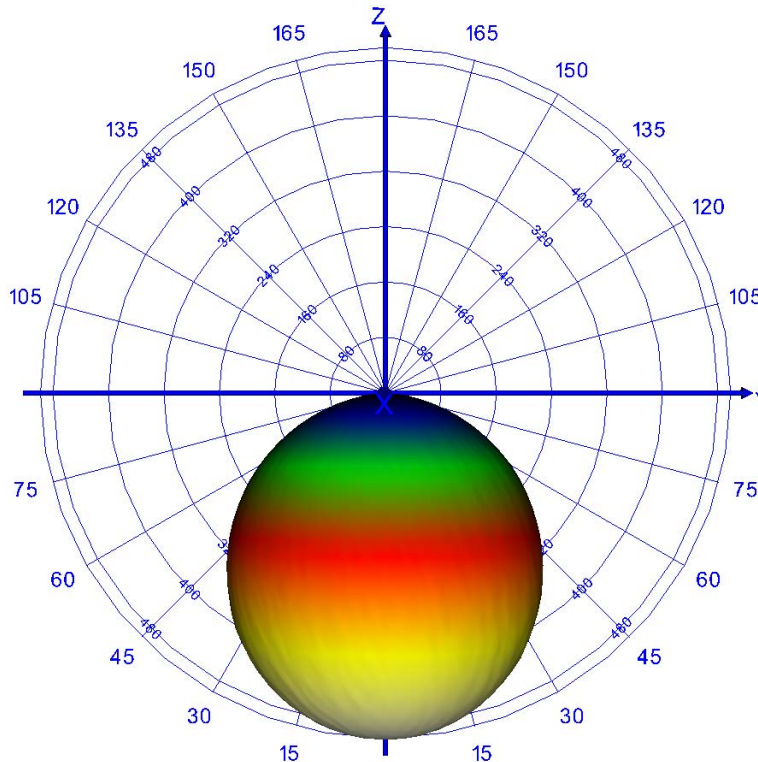
dimensions of luminous area
length 587 mm
width 60 mm
height C0 50 mm
height C90 50 mm
height C180 50 mm
height C270 50 mm

reflector

cover

variant

remarks



article code

Ecowat Co.

lamp(s)

1 x LED

total flux

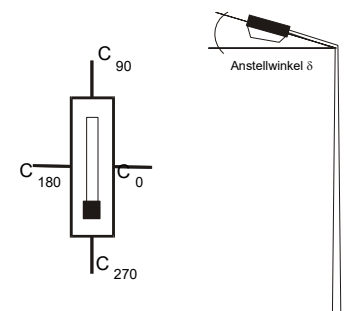
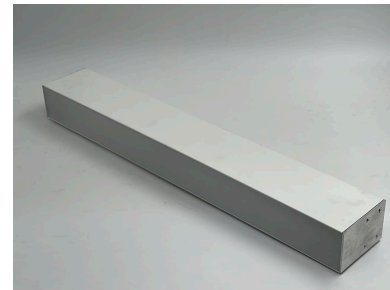
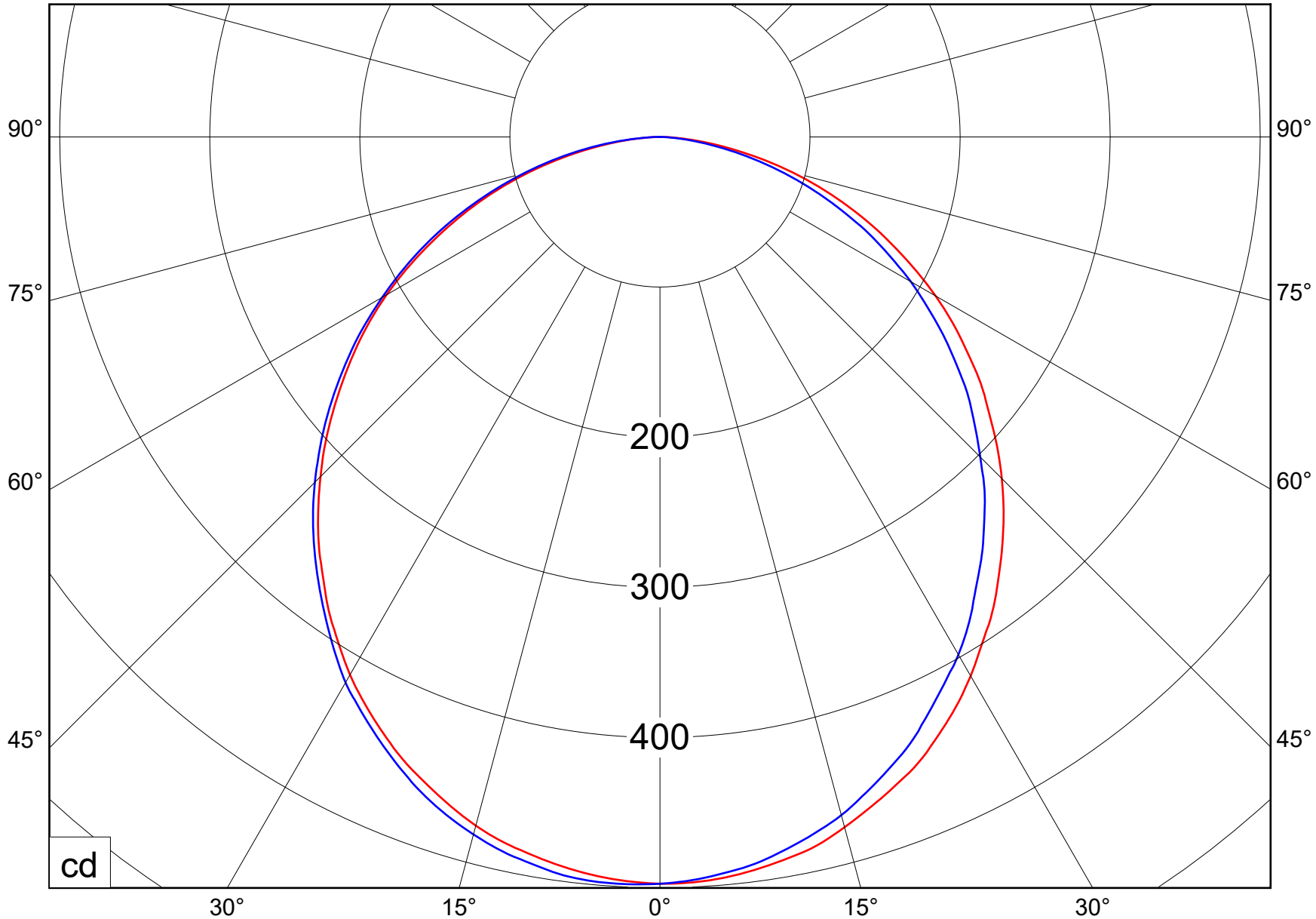
1363 lm

LOR

100 %

tilt angle

0.0 °



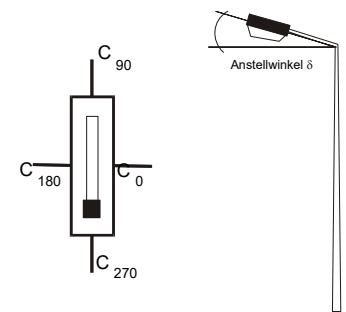
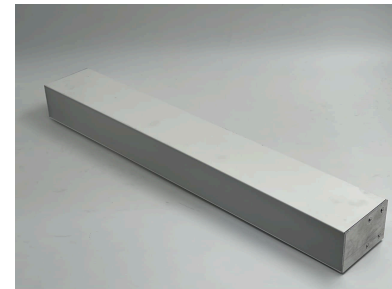
— C0.0-C180.0 — C90.0-C270.0



distance [m]	cone diameter [m]	E [lx]
1.0	2.87	E(0°) 497 E(C0) 55.1° 143
2.0	5.73	E(0°) 124 E(C0) 55.1° 36
3.0	8.60	E(0°) 55 E(C0) 55.1° 16
4.0	11.47	E(0°) 31 E(C0) 55.1° 9
5.0	14.33	E(0°) 20 E(C0) 55.1° 6

article code
Ecawat Co.

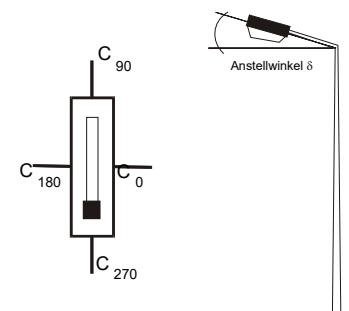
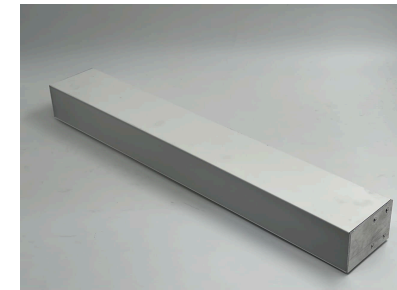
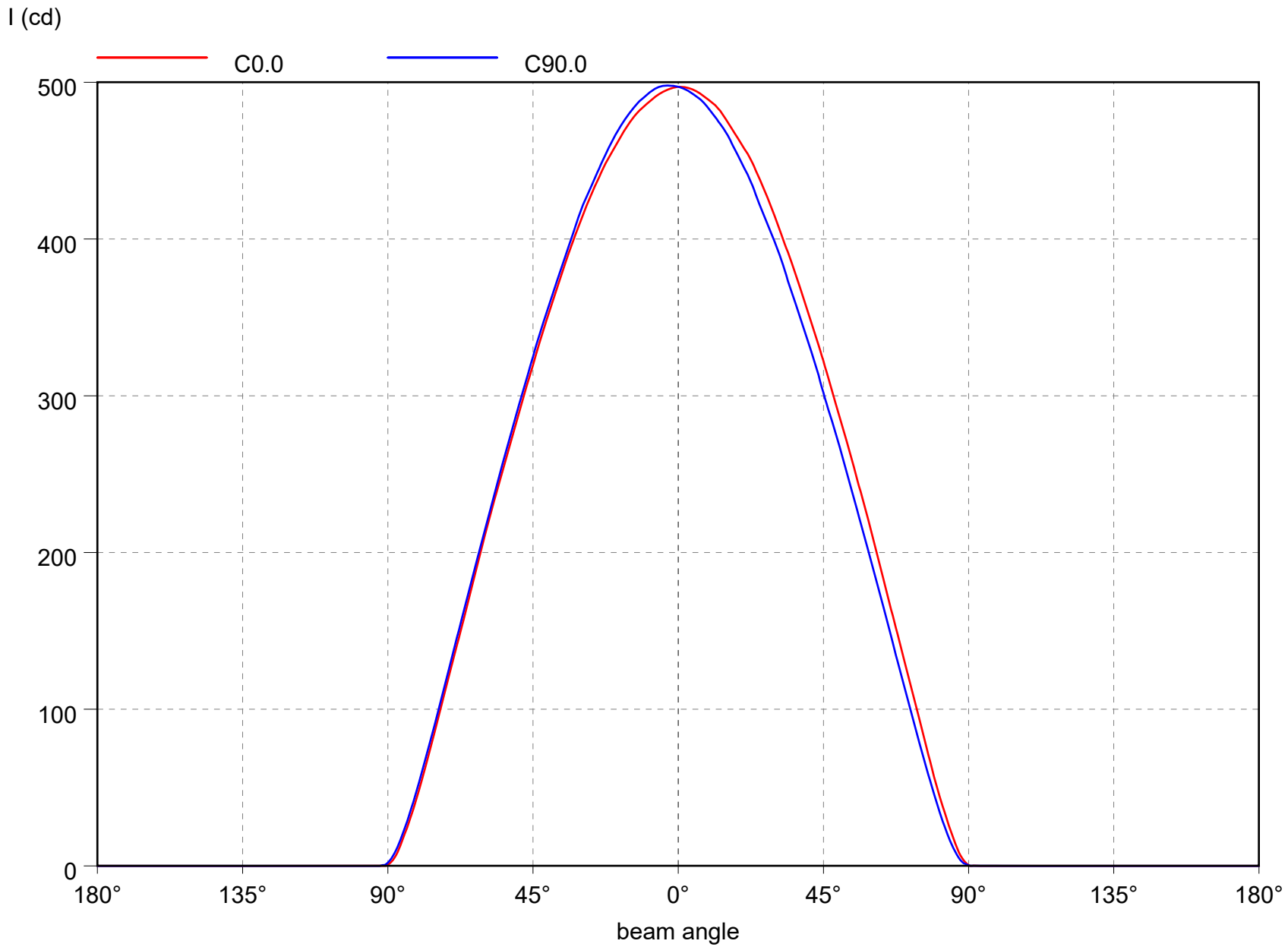
lamp(s)
1 x LED
total flux
1363 lm
LOR
100 %
tilt angle
0.0 °



half value angle 110.2°

article code
Ecowat Co.

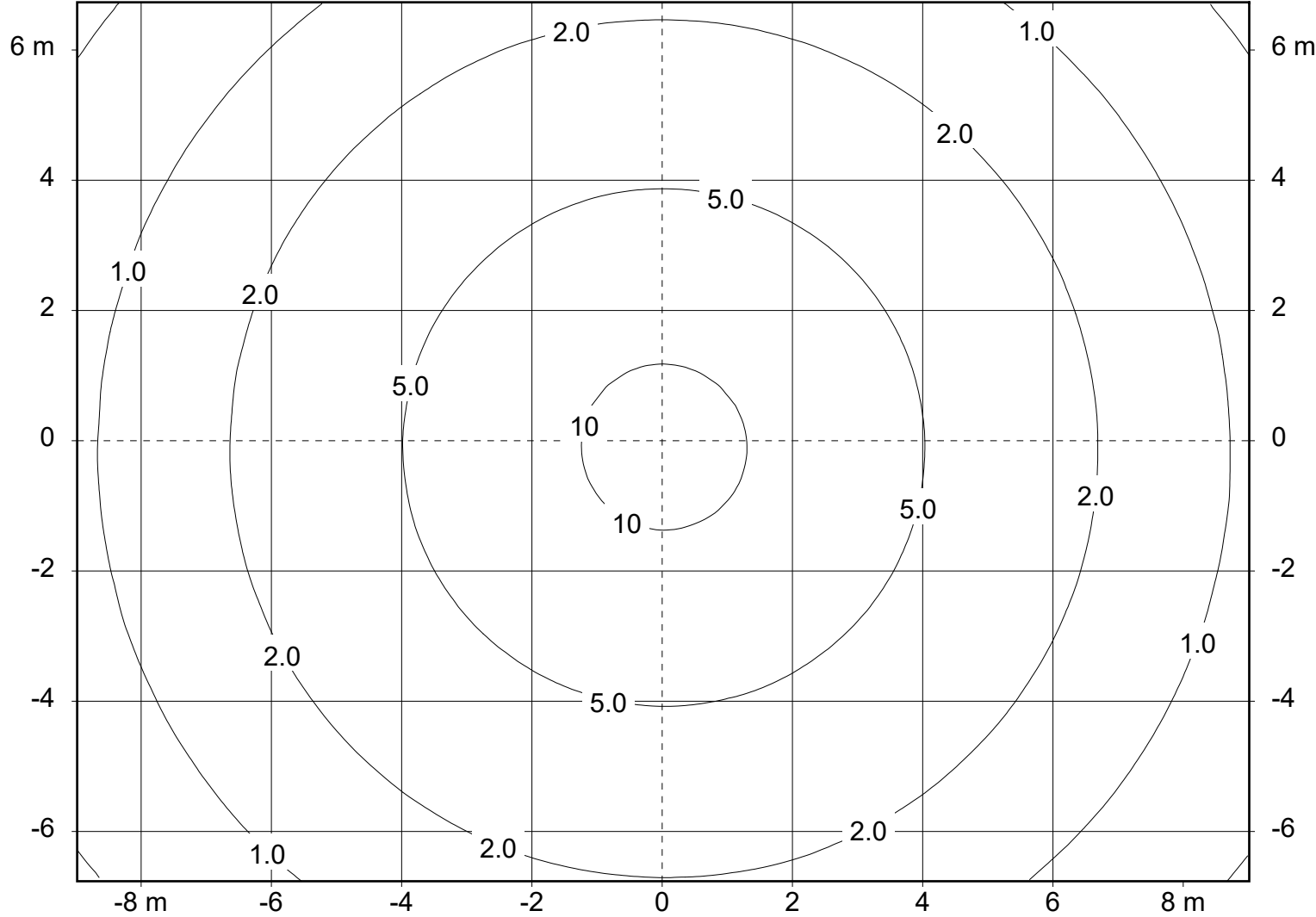
lamp(s)
1 x LED
total flux
1363 lm
LOR
100 %
tilt angle
0.0 °



tilt angle : 0.0°
swivel angle : 0.0°

mounting height : 6.00 m
orientation : 0.0°

light loss factor : 0.8

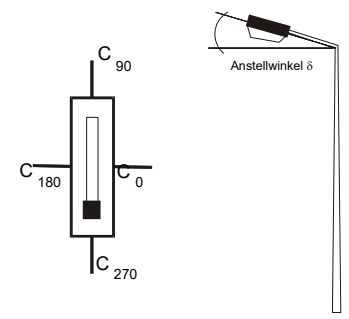
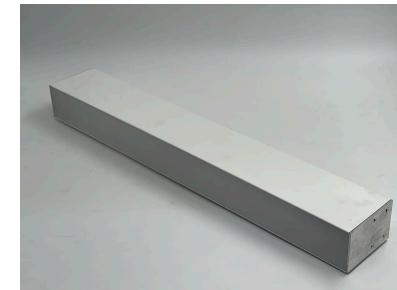


article code

Ecowat Co.

lamp(s)

1 x LED
total flux
1363 lm
LOR
100 %
tilt angle
0.0°



luminaire : LineLight_LED_LN60-SM-2x1-W-NW_18W_4000K

file : LINELIGHT_LED_LN60-SM-2X1-W-NW_18W_4000K

gamma / °	C 0	C 15	C 30	C 45	C 60	C 75	C 90	C 105	C 120	C 135	C 150	C 165	C 180	C 195	C 210	C 225	C 240	C 255
0.0	364.8	364.8	364.8	364.8	364.8	364.8	364.8	364.8	364.8	364.8	364.8	364.8	364.8	364.8	364.8	364.8	364.8	364.8
2.5	364.4	363.8	363.4	363.3	363.4	363.3	363.3	363.4	363.4	363.5	363.5	363.5	363.9	364.3	364.7	365.1	365.5	365.5
5.0	363.1	362.4	362.4	361.9	361.3	361.1	360.9	361.3	361.3	361.8	362.2	362.1	362.1	363.0	363.7	364.3	364.7	365.1
7.5	360.8	360.0	359.6	358.6	358.3	357.9	357.9	358.0	358.8	358.7	359.0	359.8	359.7	361.1	361.7	362.5	363.2	363.3
10.0	357.9	357.1	356.6	354.4	354.1	353.8	353.5	354.2	354.6	355.2	355.7	356.4	356.4	357.6	358.6	359.9	360.0	360.8
12.5	354.4	352.5	350.9	349.9	349.6	348.5	348.5	348.6	349.5	350.5	350.9	352.1	352.9	353.6	354.6	355.0	356.3	356.8
15.0	349.0	347.0	346.5	344.7	343.8	342.9	342.9	342.6	343.2	344.4	345.9	347.0	348.2	348.8	349.3	350.2	351.2	352.4
17.5	343.0	341.7	339.5	337.8	336.4	335.5	335.6	336.3	337.3	338.0	339.4	340.9	342.2	343.5	343.9	344.5	345.6	347.0
20.0	337.0	334.8	333.1	331.0	329.0	328.4	328.1	328.8	329.5	330.3	331.9	334.1	335.7	336.2	337.2	338.0	339.2	341.0
22.5	330.6	327.1	325.1	322.8	321.2	320.9	320.3	320.6	321.2	322.0	325.0	326.0	328.9	329.4	330.8	331.2	331.5	332.5
25.0	322.2	318.8	316.4	313.8	312.3	310.6	310.5	311.5	312.3	313.8	316.8	317.9	320.8	321.1	322.6	323.0	324.1	324.9
27.5	313.6	309.5	307.4	305.1	302.9	301.8	301.0	302.0	303.7	304.6	306.7	309.0	312.3	312.8	313.8	314.6	315.4	316.2
30.0	303.8	300.2	298.1	295.5	293.7	292.1	291.9	292.1	292.8	295.0	297.7	299.2	303.1	303.0	304.2	305.1	305.9	306.1
32.5	293.2	290.3	287.3	285.6	282.6	281.0	281.2	282.1	282.9	284.3	287.6	288.7	292.7	292.3	294.7	295.9	295.4	296.8
35.0	283.2	279.8	277.1	274.9	271.8	270.3	269.2	270.3	271.6	273.3	275.7	278.7	282.3	283.2	284.2	285.8	286.6	285.0
37.5	271.8	268.6	266.3	262.5	260.8	257.7	258.2	259.2	260.6	262.3	265.6	268.0	270.6	271.7	273.3	275.6	274.1	274.1
40.0	260.3	257.0	254.5	251.2	248.2	247.1	246.5	246.6	248.8	250.0	253.3	255.9	259.5	260.8	262.5	262.3	263.0	262.5
42.5	248.6	245.1	242.2	239.9	236.4	234.4	234.8	234.7	236.0	238.4	241.7	244.5	247.2	248.1	249.9	250.1	250.5	250.6
45.0	236.3	232.8	230.5	227.3	224.6	222.3	221.4	222.6	224.6	225.9	229.5	231.7	234.6	236.8	237.9	238.6	238.3	237.4
47.5	223.4	220.6	217.5	214.7	211.5	208.9	208.8	209.4	211.7	213.5	216.1	218.6	222.0	223.9	224.4	225.8	225.5	225.3
50.0	210.1	207.3	204.8	201.1	198.2	196.4	196.5	196.5	197.9	200.3	203.9	205.6	208.6	210.7	211.4	212.6	212.2	212.5
52.5	197.5	193.3	190.8	187.8	184.6	183.7	182.7	183.7	184.9	186.9	190.2	192.4	195.2	196.8	198.5	199.3	199.0	198.5
55.0	183.5	180.1	177.7	174.3	171.6	169.4	169.2	170.0	170.6	173.9	176.5	178.7	182.0	182.9	185.0	185.5	185.2	184.5
57.5	169.9	166.1	163.4	160.6	157.1	156.0	155.2	156.0	157.3	159.1	161.9	165.1	168.3	169.0	171.0	170.8	171.1	171.1
60.0	155.7	152.1	148.5	146.0	144.1	141.8	141.6	142.0	142.9	145.5	147.6	151.1	154.4	155.6	157.1	156.2	157.1	156.5
62.5	140.8	137.9	134.1	131.7	129.0	127.9	127.2	128.0	128.9	131.4	133.6	137.1	139.5	140.8	142.3	141.5	142.9	142.6
65.0	125.9	122.9	119.8	117.5	115.0	113.4	113.4	113.7	114.7	117.2	118.8	121.5	124.4	125.5	127.0	127.2	128.6	127.7
67.5	111.4	107.8	105.5	102.6	100.9	99.3	98.6	99.3	100.2	102.5	104.7	106.8	109.6	110.1	112.4	112.1	112.8	113.0
70.0	96.5	93.0	91.2	88.2	86.5	84.7	84.4	84.9	85.7	87.9	90.1	91.9	95.1	95.8	96.8	98.0	97.4	98.1
72.5	81.8	78.0	76.7	73.9	71.9	70.8	70.2	70.5	71.3	73.0	75.8	77.8	80.3	80.8	81.9	83.2	82.6	82.9
75.0	67.2	63.5	62.0	59.7	57.5	56.6	56.3	56.5	57.4	58.4	61.1	63.0	65.8	66.6	67.3	68.2	68.3	68.8
77.5	52.2	49.5	46.9	46.0	43.9	43.3	42.8	43.2	43.8	44.7	46.8	48.9	51.1	52.0	52.8	53.7	54.0	54.4
80.0	37.8	35.6	33.3	32.8	31.3	30.4	30.1	30.5	31.0	32.4	33.3	34.8	37.3	37.3	39.0	39.8	40.3	40.6
82.5	25.5	22.9	21.7	20.6	19.8	18.8	18.7	19.1	19.6	20.6	21.5	22.6	24.7	24.8	26.5	26.9	27.7	27.7
85.0	14.0	12.0	11.4	10.4	9.8	9.6	9.2	9.4	9.7	10.3	11.1	12.1	13.9	14.2	15.1	15.9	16.1	16.3

article code

Ecowat Co.

lamp(s)

1 x LED

total flux

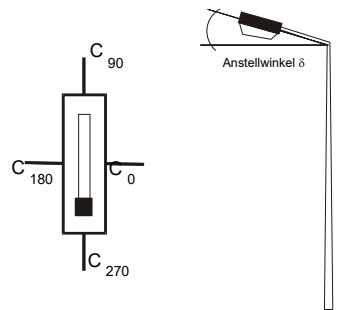
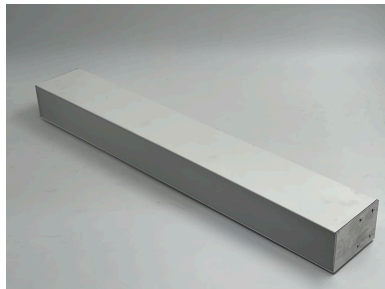
1363 lm

LOR

100 %

tilt angle

0.0 °



luminaire : LineLight_LED_LN60-SM-2x1-W-NW_18W_4000K

file : LINELIGHT_LED_LN60-SM-2X1-W-NW_18W_4000K

gamma / °	C 270	C 285	C 300	C 315	C 330	C 345
0.0	364.8	364.8	364.8	364.8	364.8	364.8
2.5	365.3	365.5	365.6	365.3	365.0	364.8
5.0	365.1	364.9	364.7	364.6	364.3	364.1
7.5	363.6	363.5	363.5	363.4	362.9	361.8
10.0	360.6	361.0	361.2	360.4	360.0	359.5
12.5	357.2	357.8	357.6	356.9	356.7	355.1
15.0	352.6	352.7	352.9	352.8	351.9	350.6
17.5	347.2	346.4	347.8	346.8	345.9	344.3
20.0	340.8	340.7	340.7	340.3	339.5	338.4
22.5	333.1	333.2	333.9	333.3	332.8	331.4
25.0	324.9	326.0	326.2	325.6	324.4	323.1
27.5	316.3	316.2	316.8	317.5	315.8	314.0
30.0	307.5	308.5	308.0	306.6	306.1	305.0
32.5	296.6	297.6	297.0	297.2	296.5	295.1
35.0	285.4	287.2	287.4	286.8	286.0	284.7
37.5	274.1	275.7	276.0	275.5	274.8	273.9
40.0	262.8	264.5	264.0	264.6	263.4	262.0
42.5	251.0	252.5	252.6	251.8	251.9	250.1
45.0	238.6	239.7	239.8	239.1	239.6	238.7
47.5	225.4	226.9	226.9	226.8	226.8	225.1
50.0	212.5	213.9	213.7	213.2	213.7	211.7
52.5	198.7	200.5	199.7	200.4	200.1	198.1
55.0	185.2	186.0	186.3	186.6	186.4	184.8
57.5	171.3	172.1	171.9	173.1	172.3	170.8
60.0	156.6	157.7	157.9	157.9	158.2	156.3
62.5	142.5	143.3	143.4	143.4	142.5	142.0
65.0	128.0	128.8	129.4	128.6	128.2	126.9
67.5	113.2	113.8	114.5	113.2	113.6	111.4
70.0	98.5	99.0	99.1	98.1	98.9	96.4
72.5	83.5	84.4	83.8	83.1	84.2	81.5
75.0	69.0	69.3	68.7	69.0	69.0	67.2
77.5	54.8	54.9	54.5	54.5	53.6	52.8
80.0	40.9	41.1	40.5	40.3	39.0	38.3
82.5	28.0	28.0	27.7	27.2	26.7	25.2
85.0	16.6	16.6	16.5	15.8	14.8	13.8

article code

Ecowat Co.

lamp(s)

1 x LED

total flux

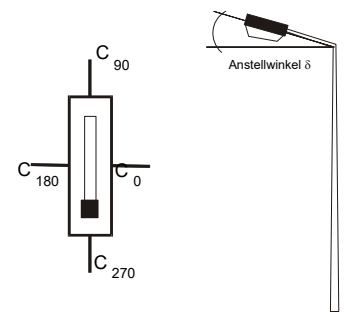
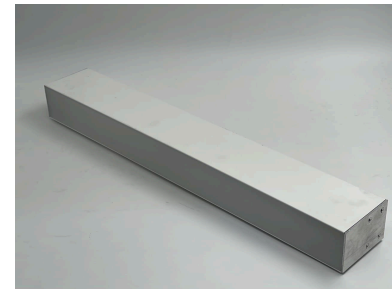
1363 lm

LOR

100 %

tilt angle

0.0 °

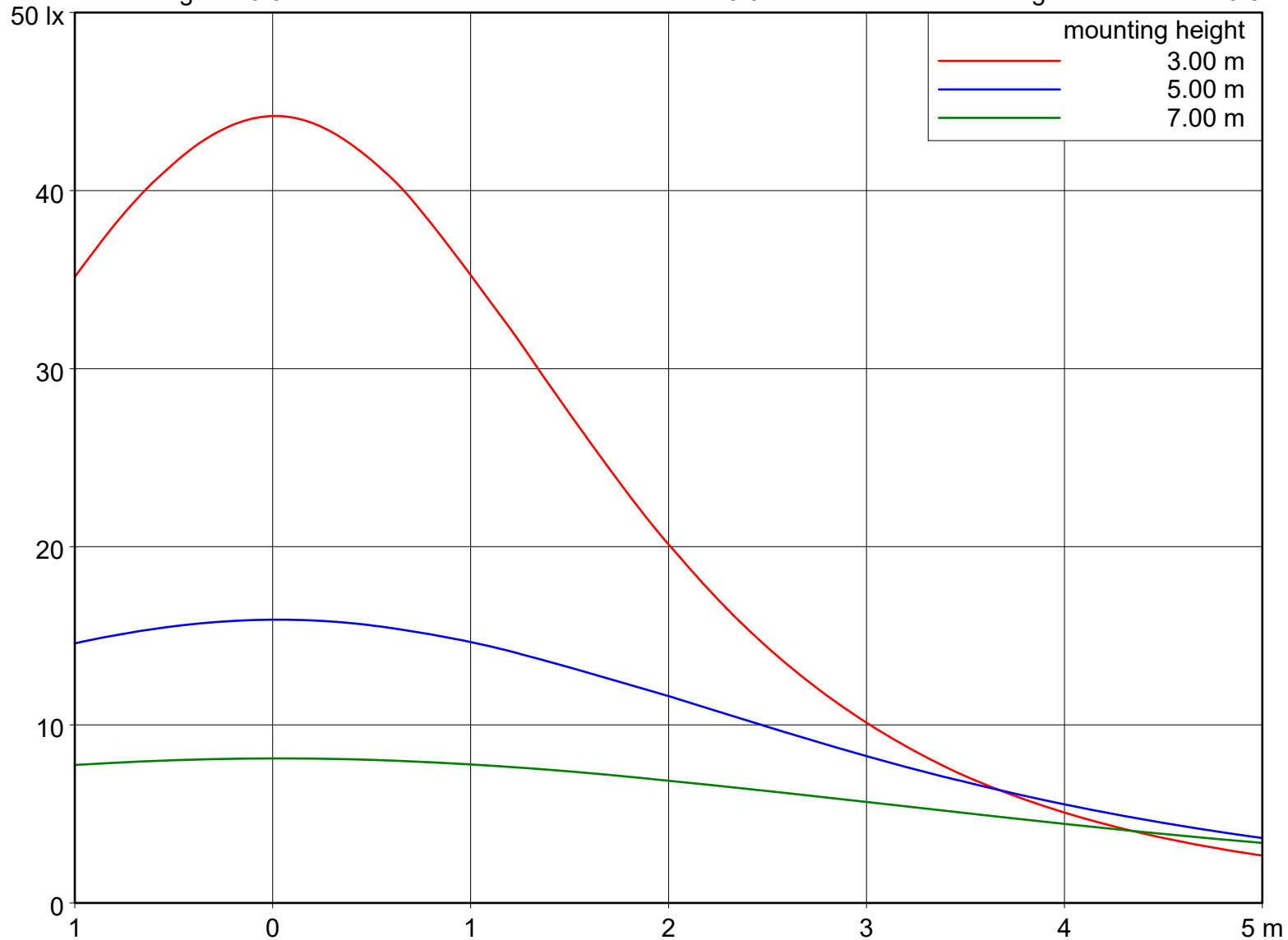


tilt angle : 0.0 °

swivel angle : 0.0 °

orientation : 0.0 °

light loss factor : 0.8



article code

Ecowat Co.

lamp(s)

1 x LED

total flux

1363 lm

LOR

100 %

tilt angle

0.0 °

