

meas. no. 96L668
meas. date 10/4/2017
operator LightLab

meas. conditions
 ambient temperature 25.0 °C
 voltage 230.00 V
 current 0.498 A
 power consumption 111.2 W

meas. lamps lum. flux [lm]
 1 10295.0 lm

measurement results
 flux of luminaire 10295.6 lm
 classification / DIN A60
 lower flux fraction 99.30 %
 upper flux fraction 0.70 %
 intensity maximum 650.3 cd/klm
 in C-plane 177.5 °
 at gamma 5.0 °
 half value angle C0 : 43.5 °
 C90 : 41.2 °
 C270 : 41.1 °
 tenth value angle C0 : 58.6 °
 C90 : 47.0 °
 C270 : 46.9 °

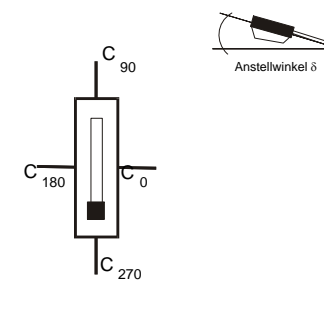
article code
 Ecowat Co.

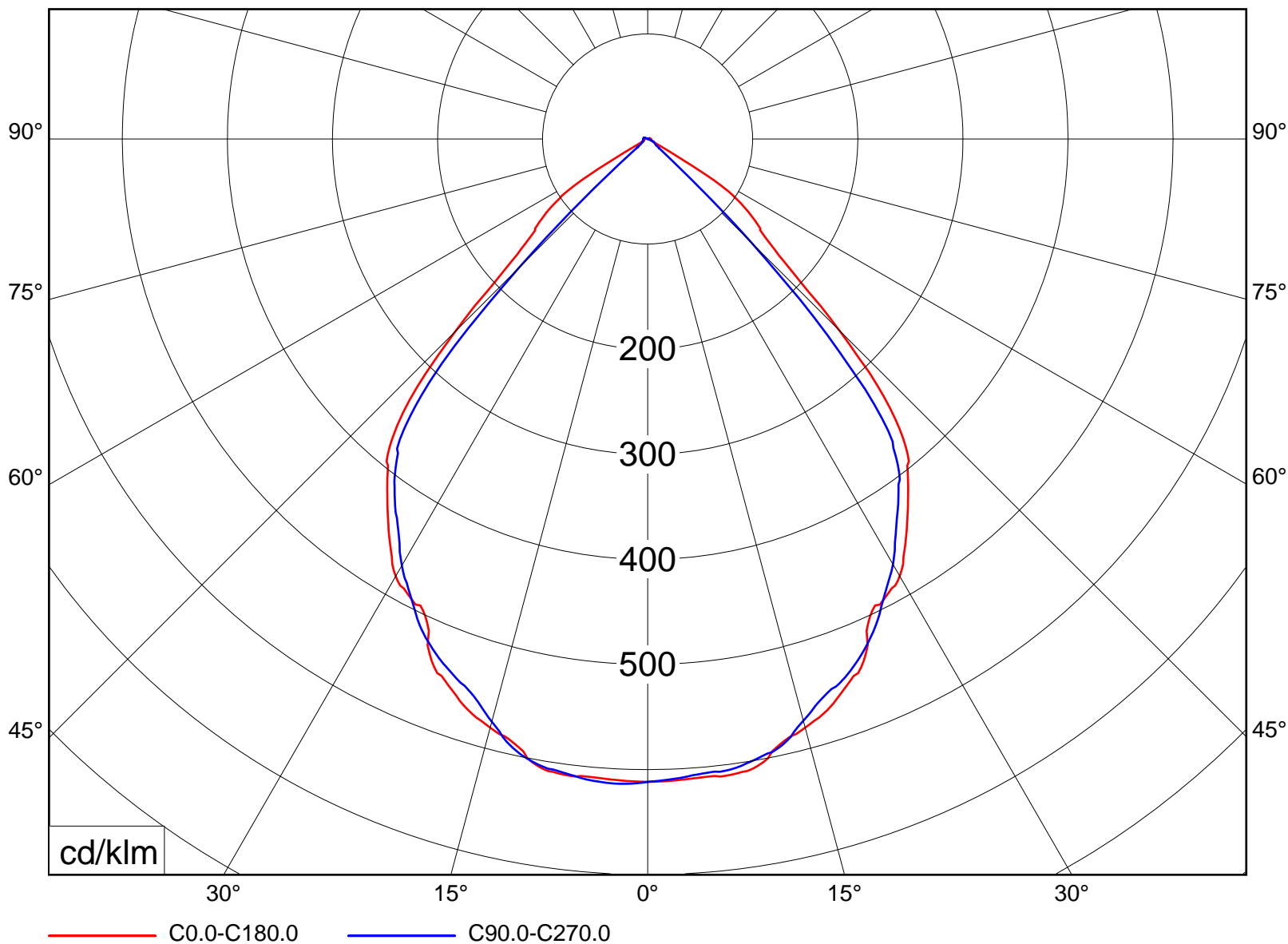
lamp(s)
 1 x LED
 total flux 10295 lm
 LOR
 100 %
 tilt angle 0.0 °

file
 FLOODLIGHT_L

dimensions of luminaire
 length 285 mm
 width 260 mm
 height 120 mm

dimensions of luminous area
 length 190 mm
 width 130 mm
 height C0 90 mm
 height C90 90 mm
 height C180 90 mm
 height C270 90 mm





article code

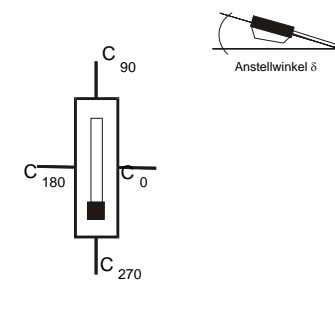
Ecowat Co.

lamp(s)

1 x LED
total flux
10295 lm
LOR
100 %
tilt angle
0.0 °

file

FLOODLIGHT_L



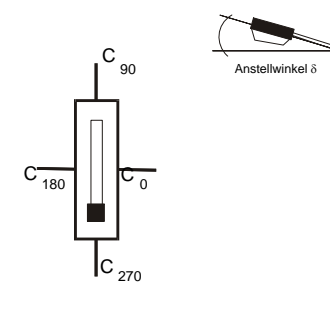
distance [m]	cone diameter [m]	E [lx]
1.0	1.90	E(0°) 6296 E(C0) 43.5° 2287
2.0	3.80	E(0°) 1574 E(C0) 43.5° 572
3.0	5.69	E(0°) 700 E(C0) 43.5° 254
4.0	7.59	E(0°) 394 E(C0) 43.5° 143
5.0	9.49	E(0°) 252 E(C0) 43.5° 91
6.0	11.39	E(0°) 175 E(C0) 43.5° 64

half value angle 87.0°

article code
Ecowat Co.

lamp(s)
1 x LED
total flux
10295 lm
LOR
100 %
tilt angle
0.0 °

file
FLOODLIGHT_L



article code

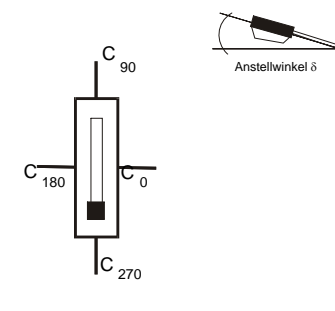
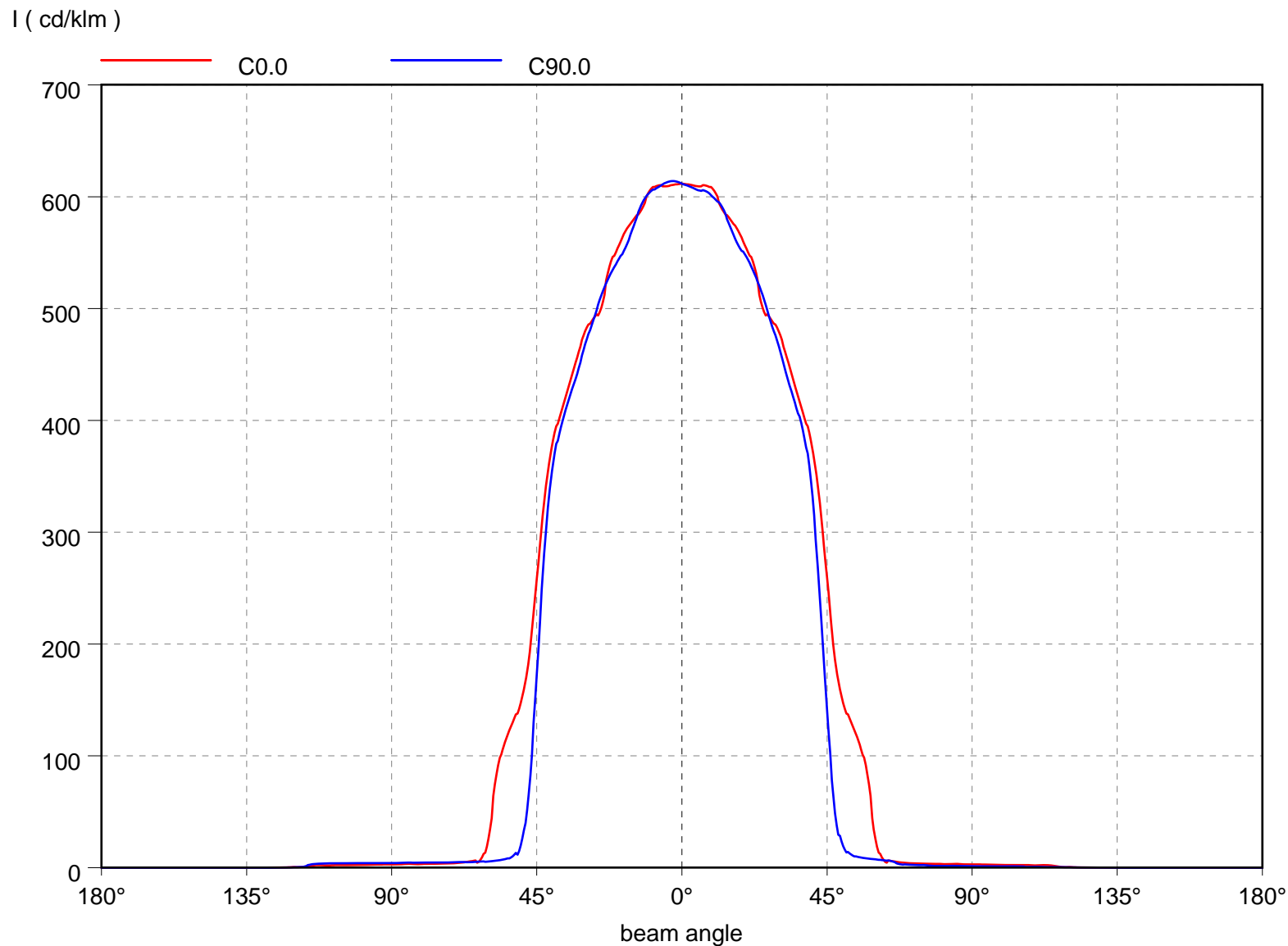
Ecowat Co.

lamp(s)

1 x LED
 total flux
 10295 lm
 LOR
 100 %
 tilt angle
 0.0 °

file

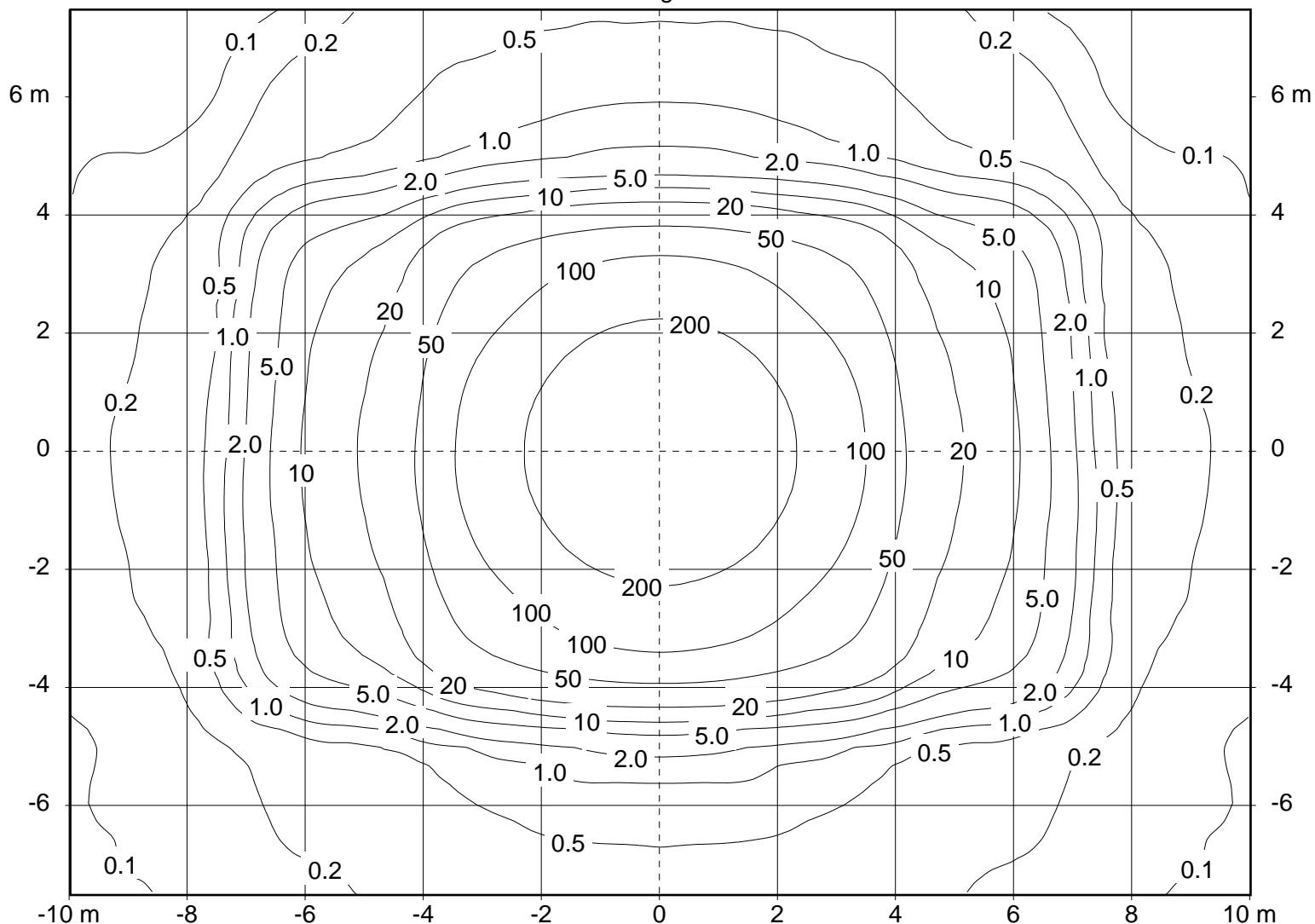
FLOODLIGHT_L



tilt angle : 0.0°
Schwenkwinkel : 0.0°

Lichtpunkthöhe : 4.0 m
Orientierung : 0.0°

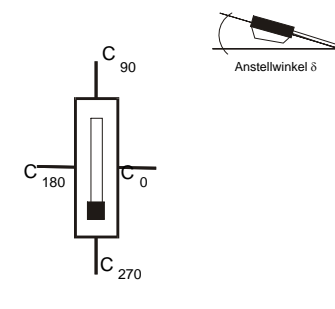
Verminderungsfaktor : 1.0



article code
Ecowat Co.

lamp(s)
1 x LED
total flux
10295 lm
LOR
100 %
tilt angle
0.0°

file
FLOODLIGHT_L



gamma / °	C 0	C 15	C 30	C 45	C 60	C 75	C 90	C 105	C 120	C 135	C 150	C 165	C 180	C 195	C 210	C 225	C 240
0	611.6	611.6	611.6	611.6	611.6	611.6	611.6	611.6	611.6	611.6	611.6	611.6	611.6	611.6	611.6	611.6	611.6
5	609.4	614.3	609.0	607.9	606.3	605.6	605.9	605.6	606.3	607.9	609.0	614.3	609.4	609.8	608.8	609.9	610.8
10	605.4	604.3	600.8	598.0	598.3	599.6	598.7	599.6	598.3	598.0	600.8	604.3	605.4	605.8	606.2	605.1	603.7
15	579.7	579.5	579.6	577.5	573.7	571.2	572.8	571.2	573.7	577.5	579.6	579.5	579.7	584.8	585.8	584.3	577.2
20	553.6	545.3	545.5	546.7	542.3	542.0	546.2	542.0	542.3	546.7	545.5	545.3	553.6	551.9	546.1	540.8	534.2
25	500.9	513.5	513.2	513.0	513.6	511.4	512.2	511.4	513.6	513.0	513.2	513.5	500.9	517.3	513.8	511.0	508.1
30	479.9	482.6	474.9	481.3	475.0	466.5	466.8	466.5	475.0	481.3	474.9	482.6	479.9	487.0	475.4	478.0	470.8
35	431.5	433.8	429.2	416.1	416.2	419.1	416.0	419.1	416.2	416.1	429.2	433.8	431.5	432.3	427.1	421.3	418.5
40	382.0	381.1	374.5	357.7	364.1	359.5	346.8	359.5	364.1	357.7	374.5	381.1	382.0	380.8	378.3	365.8	369.8
45	258.8	271.5	310.5	308.9	282.2	179.6	141.1	179.6	282.2	308.9	310.5	271.5	258.8	280.6	315.5	312.3	298.0
50	147.2	150.6	178.4	235.8	86.3	24.5	19.3	24.5	86.3	235.8	178.4	150.6	147.2	151.8	187.9	251.6	109.7
55	111.1	112.2	109.5	63.9	10.7	9.7	9.3	9.7	10.7	63.9	109.5	112.2	111.1	111.7	111.1	75.1	8.8
60	25.7	40.0	71.1	8.2	7.9	7.4	7.4	7.4	7.9	8.2	71.1	40.0	25.7	43.5	76.8	5.6	5.3

gamma / °	C 255	C 270	C 285	C 300	C 315	C 330	C 345
0	612	612	612	612	612	612	612
5	612	613	612	611	610	609	610
10	601	604	601	604	605	606	606
15	574	574	574	577	584	586	585
20	539	542	539	534	541	546	552
25	505	512	505	508	511	514	517
30	471	468	471	471	478	475	487
35	419	420	419	419	421	427	432
40	366	361	366	370	366	378	381
45	213	174	213	298	312	316	281
50	27	20	27	110	252	188	152
55	8	7	8	9	75	111	112
60	6	5	6	5	6	77	44

article code

Ecowat Co.

lamp(s)

1 x LED

total flux

10295 lm

LOR

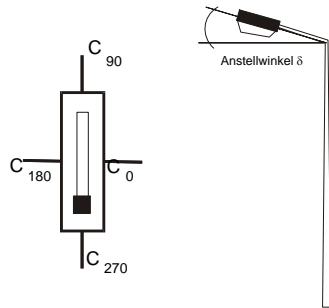
100 %

tilt angle

0.0 °

file

FLOODLIGHT_L

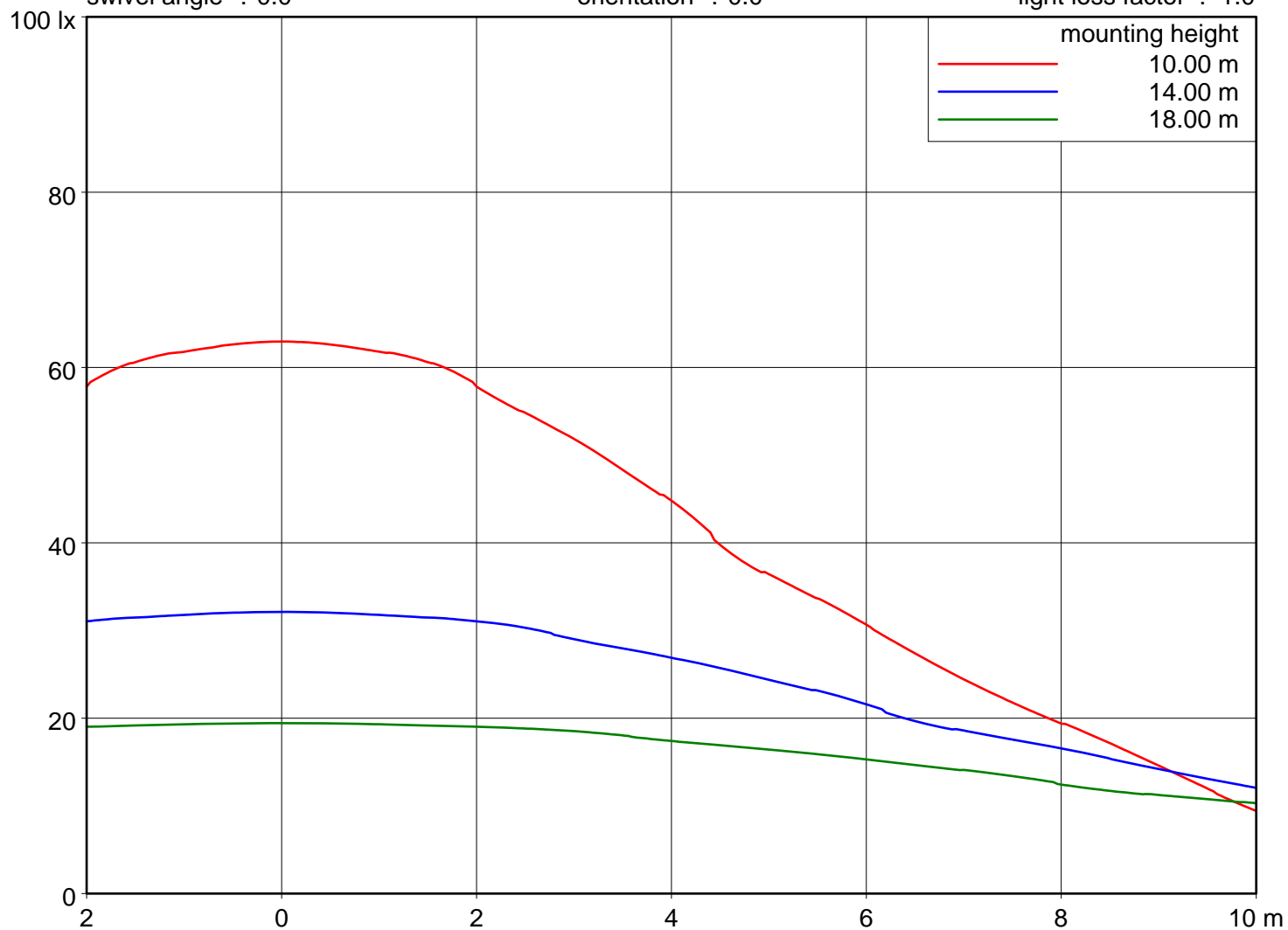


tilt angle : 0.0 °

swivel angle : 0.0 °

orientation : 0.0 °

light loss factor : 1.0



article code

Ecowat Co.

lamp(s)

1 x LED
 total flux
 10295 lm
 LOR
 100 %
 tilt angle
 0.0 °

file

FLOODLIGHT_L

