

file : DOWNLIGHT\_LED\_35W\_4000K

**meas. no.** 00L1496  
**meas. date** 2/26/2022  
**operator** LightLab.

**meas. conditions**  
 ambient temperature 25.0 °C  
 voltage 230.00 V  
 current 0.142 A  
 power consumption 31.5 W  
 Leistungsfaktor 0.963

**meas. lamps** lum. flux [lm]  
 absolute measurement 2600.3 lm  
 luminous efficacy 82 lm/w

**measurement results**  
 flux of luminaire 2600.3 lm  
 classification / DIN A50  
 lower flux fraction 100.00 %  
 upper flux fraction 0.00 %  
 intensity maximum 1365.7 cd  
 in C-plane 27.5 °  
 at gamma 2.5 °  
 half value angle C0 : 39.0 °  
 C90 : 39.3 °  
 C180 : 40.8 °  
 C270 : 40.1 °  
 tenth value angle C0 : 67.6 °  
 C90 : 67.4 °  
 C180 : 68.1 °  
 C270 : 68.4 °

**article code**  
 Ecowat Co.

**lamp(s)**  
 1 x LED  
 total flux 2600 lm  
 LOR 100 %  
 tilt angle 0.0 °

**dimensions of luminaire**  
 diameter 220 mm  
 height 60 mm

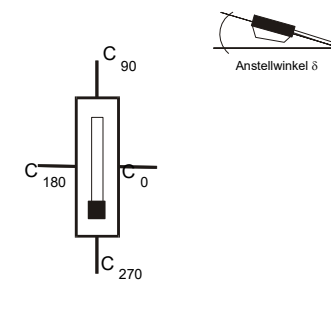
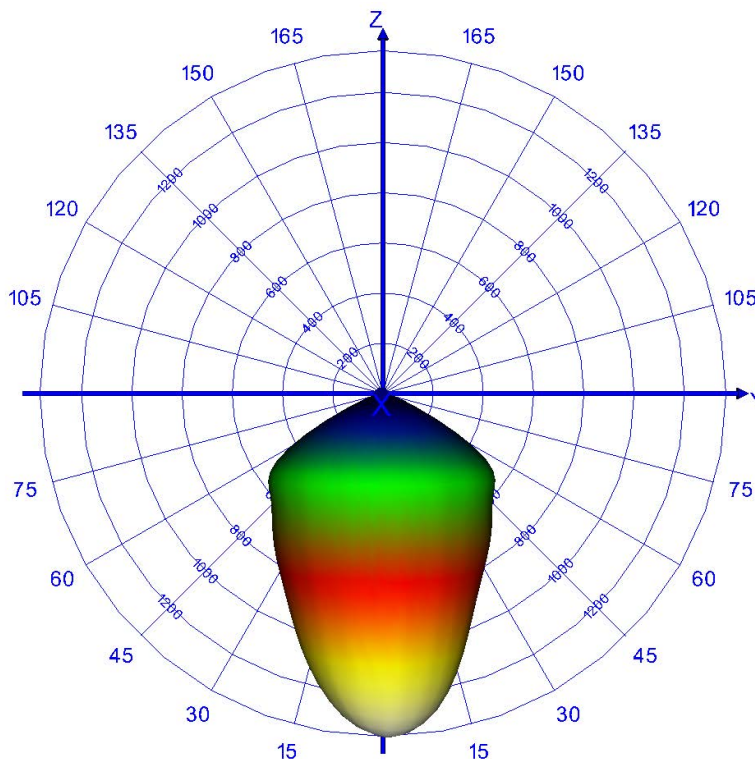
**dimensions of luminous area**  
 diameter 150 mm  
 height C0 50 mm  
 height C90 50 mm  
 height C180 50 mm  
 height C270 50 mm

**reflector**

**cover**

**variant**

**remarks**



article code

Ecowat Co.

lamp(s)

1 x LED

total flux

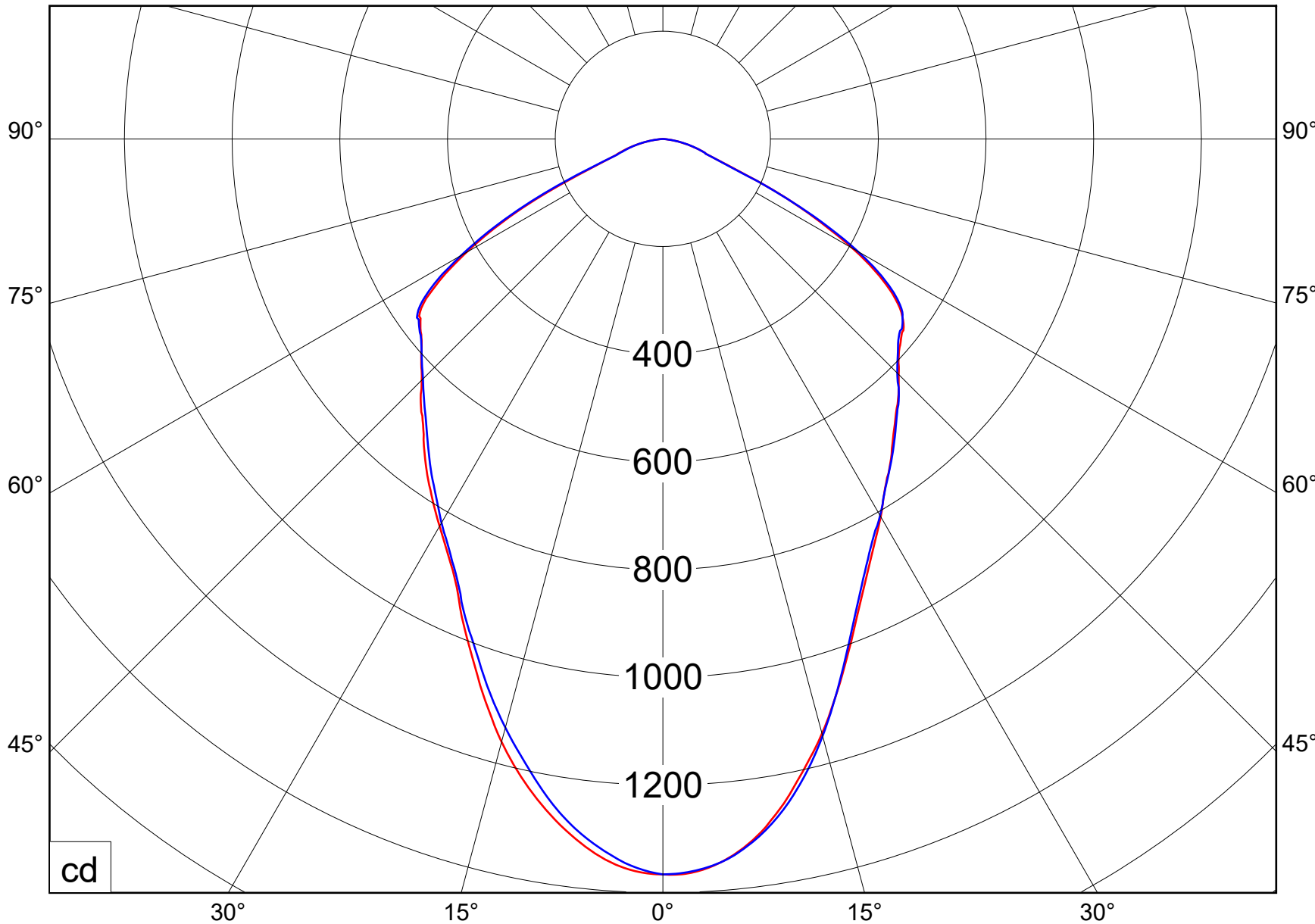
2600 lm

LOR

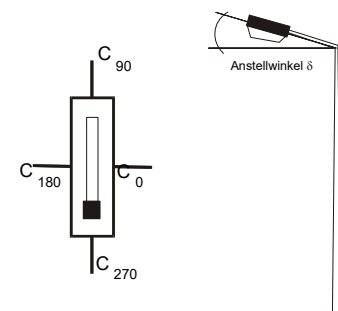
100 %

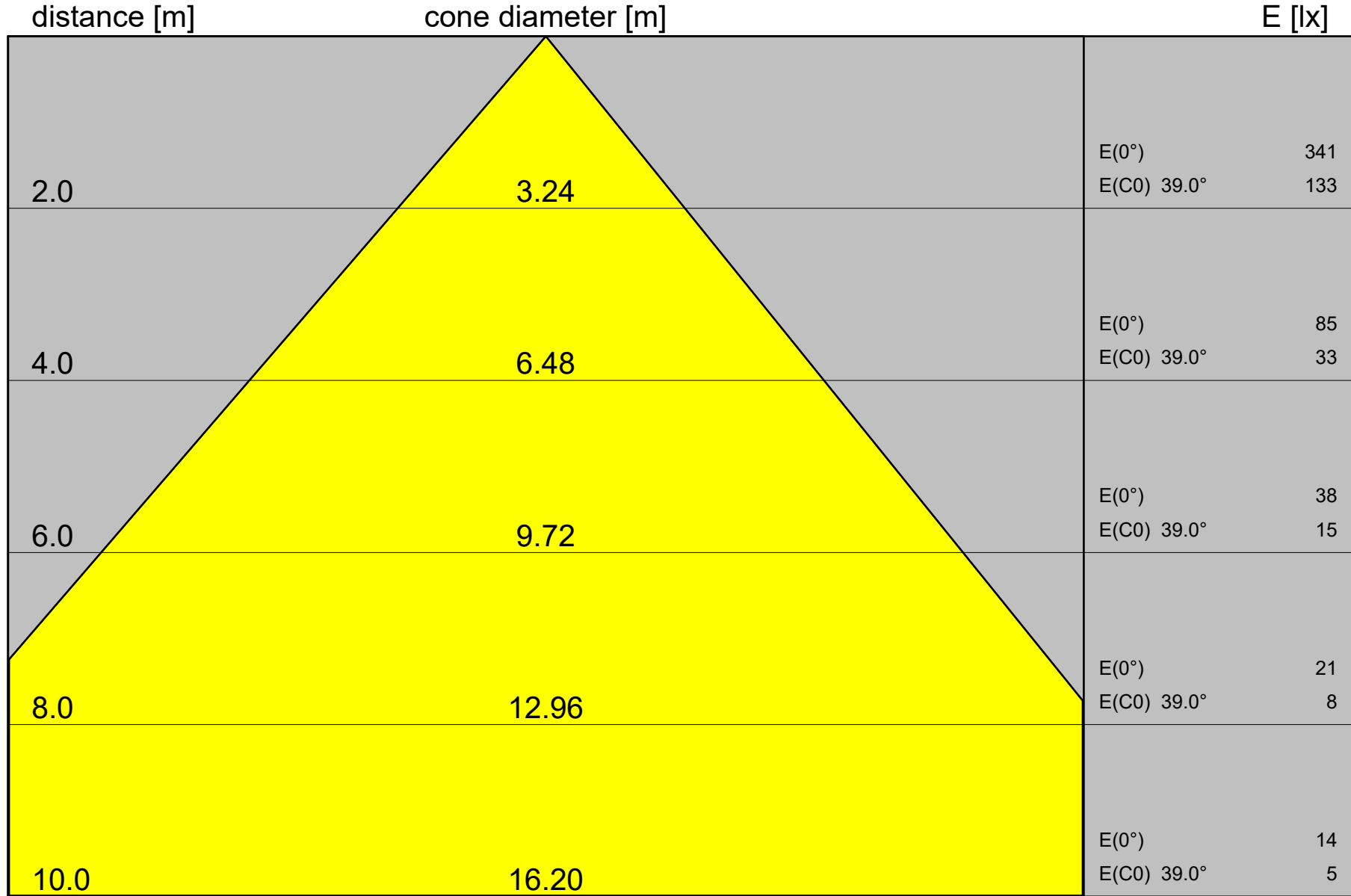
tilt angle

0.0 °



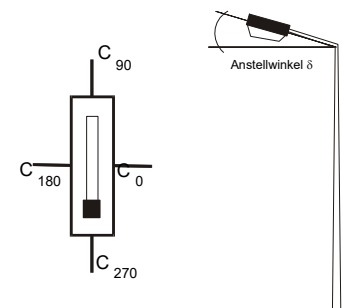
— C0.0-C180.0      — C90.0-C270.0





article code  
Ecowat Co.

lamp(s)  
1 x LED  
total flux  
2600 lm  
LOR  
100 %  
tilt angle  
0.0 °



half value angle 78.0°

article code

Ecowat Co.

lamp(s)

1 x LED

total flux

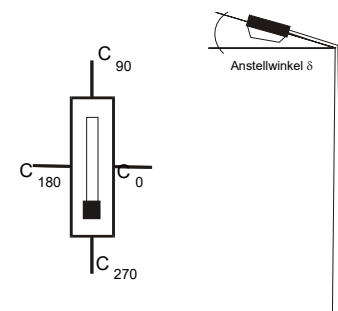
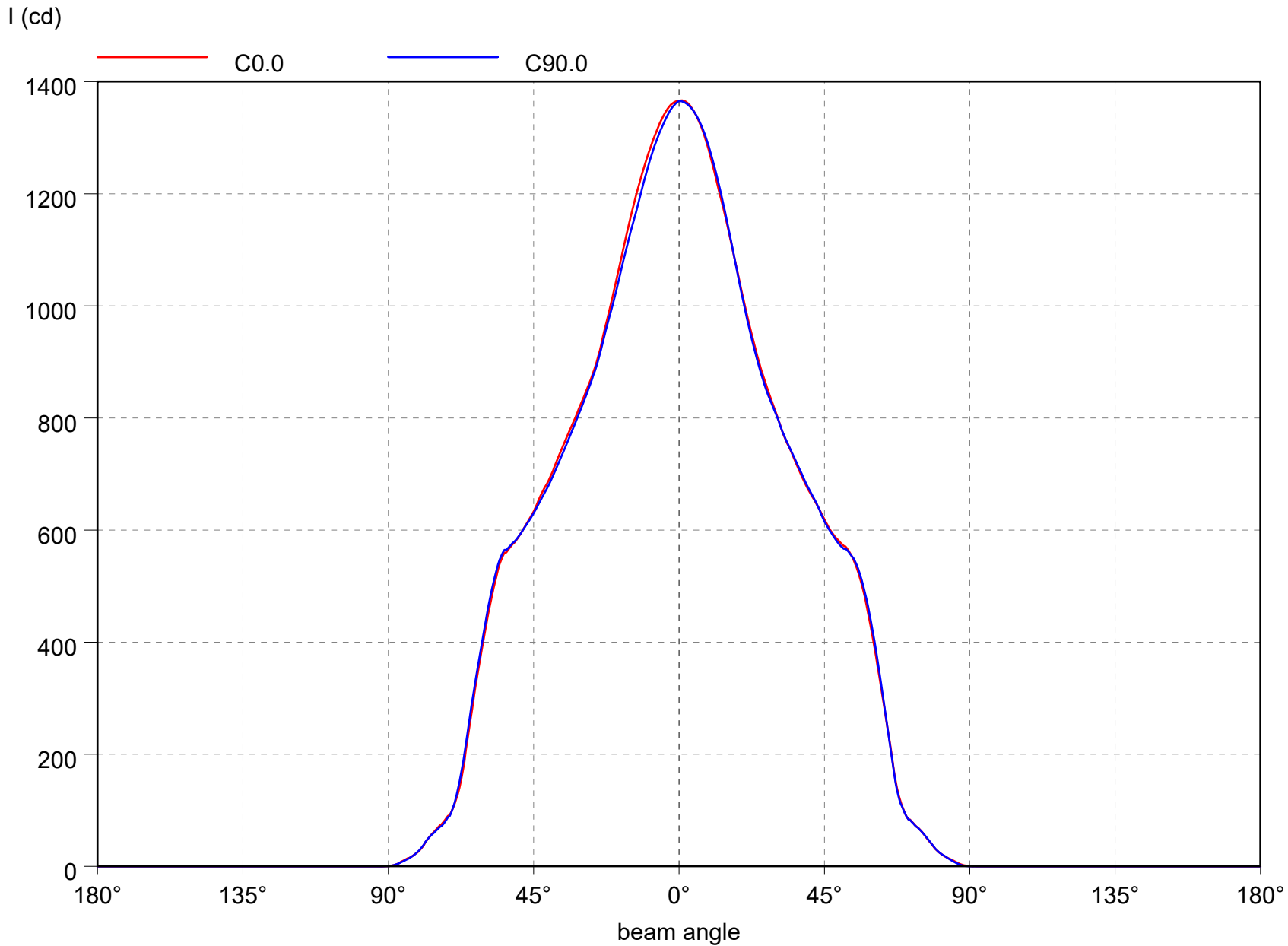
2600 lm

LOR

100 %

tilt angle

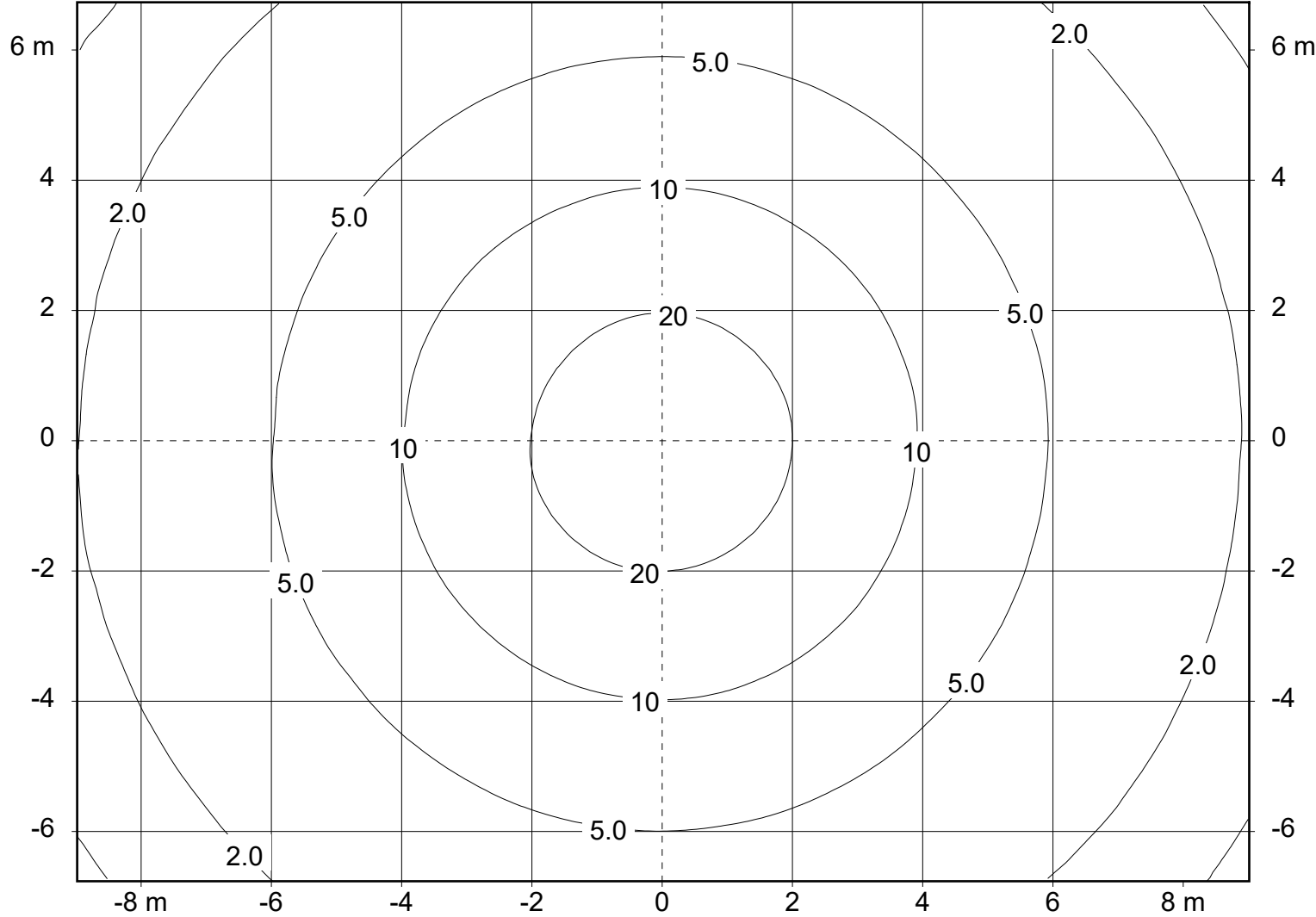
0.0 °



tilt angle : 0.0°  
swivel angle : 0.0°

mounting height : 6.00 m  
orientation : 0.0°

light loss factor : 0.8

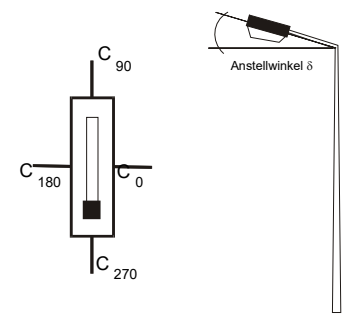


**article code**

Ecowat Co.

**lamp(s)**

1 x LED  
total flux  
2600 lm  
LOR  
100 %  
tilt angle  
0.0°

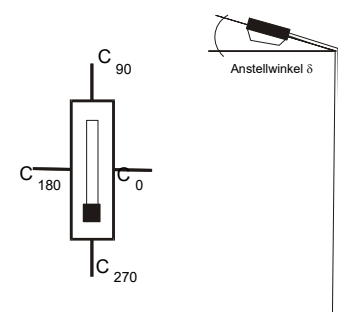


file : DOWNLIGHT\_LED\_35W\_4000K

gamma / °	C 0	C 15	C 30	C 45	C 60	C 75	C 90	C 105	C 120	C 135	C 150	C 165	C 180	C 195	C 210	C 225	C 240	C 255	
0.0	525.2	525.2	525.2	525.2	525.2	525.2	525.2	525.2	525.2	525.2	525.2	525.2	525.2	525.2	525.2	525.2	525.2	525.2	525.2
2.5	524.1	525.0	525.2	525.0	524.5	523.9	523.1	522.4	522.0	521.8	521.7	522.0	522.6	523.0	522.5	521.5	520.6	519.9	
5.0	516.6	518.2	518.4	518.3	517.6	517.1	516.8	515.5	514.1	513.0	512.3	512.8	514.5	514.8	513.4	511.7	510.5	509.3	
7.5	503.7	504.9	504.8	504.4	504.6	504.8	504.9	503.3	499.9	498.8	498.1	499.1	501.5	502.4	499.9	497.9	497.2	496.4	
10.0	485.0	487.6	486.8	486.8	486.4	487.7	488.2	486.0	483.1	481.8	481.0	482.9	485.6	486.9	484.4	482.6	481.0	479.5	
12.5	462.4	465.7	464.0	463.9	463.9	465.0	466.5	465.2	462.8	460.2	460.5	462.5	467.0	468.5	467.3	465.1	462.8	458.7	
15.0	439.5	440.1	438.4	437.3	438.6	439.6	441.4	441.5	438.0	437.2	437.5	441.1	445.5	448.9	447.1	444.1	440.2	437.8	
17.5	414.0	414.9	411.8	410.6	411.7	411.6	413.5	413.3	411.9	412.4	414.2	416.7	421.3	425.4	424.4	420.6	419.0	415.8	
20.0	388.5	389.1	387.8	385.5	385.2	385.7	386.5	386.4	386.5	388.3	390.0	392.4	396.3	401.0	399.5	397.2	395.6	392.9	
22.5	364.9	365.5	364.2	363.4	361.7	361.6	362.0	361.7	363.0	364.7	366.7	368.4	373.2	375.9	375.0	373.8	372.6	371.1	
25.0	344.3	344.0	344.3	343.0	342.2	341.3	341.3	341.1	342.2	344.2	345.4	346.9	350.1	353.5	353.1	352.7	350.6	349.6	
27.5	326.9	328.9	327.9	325.8	325.3	325.0	324.0	324.5	324.6	327.0	328.2	329.8	333.0	334.9	336.3	335.8	332.9	332.2	
30.0	311.2	312.2	312.2	310.7	309.9	310.7	310.4	311.3	312.5	314.9	316.2	316.4	319.3	321.5	322.2	321.2	319.5	319.1	
32.5	295.5	297.1	296.5	294.8	294.4	295.7	295.8	296.7	298.2	300.9	301.7	303.8	305.9	308.2	307.0	305.5	305.0	303.4	
35.0	283.1	284.7	282.5	282.0	282.3	284.0	283.7	284.6	285.7	287.8	288.3	290.3	293.3	294.4	294.0	292.9	291.5	290.8	
37.5	270.0	271.7	271.1	270.8	270.5	271.5	271.6	272.9	274.6	275.9	277.0	279.4	280.0	283.1	282.7	281.0	280.2	278.1	
40.0	258.7	259.1	258.8	257.6	259.3	259.7	259.8	260.1	261.5	262.5	263.0	265.6	266.5	270.6	270.8	268.6	267.6	265.3	
42.5	248.9	248.1	248.0	247.3	247.9	248.2	249.4	249.5	251.4	250.6	251.9	253.1	255.9	259.3	258.7	257.5	255.9	255.0	
45.0	238.2	236.9	236.7	235.1	235.9	237.8	236.9	238.3	239.1	239.8	241.1	241.3	243.6	246.1	247.5	246.4	245.0	243.7	
47.5	228.5	226.6	227.5	226.5	226.8	227.5	227.6	229.0	228.8	229.9	231.4	230.9	234.0	235.7	235.6	235.8	233.9	234.6	
50.0	222.1	220.8	221.5	219.2	219.4	220.6	220.0	219.9	221.6	222.4	222.3	223.2	225.0	226.0	226.4	225.6	225.9	226.2	
52.5	216.6	213.6	215.1	213.1	214.5	215.5	215.8	215.6	215.8	216.9	217.0	217.0	218.4	219.5	218.1	219.3	219.3	219.9	
55.0	204.9	203.4	204.5	203.2	204.9	207.1	206.8	207.9	207.6	207.5	210.1	210.6	210.6	210.6	209.9	211.7	212.3	214.4	
57.5	185.0	183.3	183.1	182.7	185.4	187.8	188.3	189.1	189.0	191.4	192.0	192.5	190.1	191.2	191.8	192.6	193.8	195.4	
60.0	156.5	153.0	153.9	155.0	156.7	157.9	161.0	160.2	162.5	163.4	164.7	162.9	162.0	163.0	165.1	166.1	166.7	168.2	
62.5	123.4	120.2	120.2	121.6	122.9	124.1	126.2	126.6	128.1	130.2	131.7	132.0	130.3	131.8	133.6	133.3	135.1	135.0	
65.0	88.3	84.1	84.1	84.5	85.3	85.2	87.9	88.7	89.8	93.2	94.0	96.9	94.0	96.0	97.0	97.3	97.9	97.8	
67.5	53.8	50.6	50.9	50.8	51.5	51.8	52.3	54.3	54.8	57.2	57.6	62.1	58.8	60.3	61.7	61.8	62.5	62.9	
70.0	36.2	34.8	35.2	34.8	35.4	36.1	36.0	36.3	36.9	37.9	38.8	39.4	39.7	39.8	39.7	40.2	39.7	40.2	
72.5	29.6	28.7	28.5	28.6	28.9	29.5	29.4	29.8	29.9	30.8	31.4	31.9	31.6	30.9	31.3	31.3	30.8	31.0	
75.0	24.2	22.8	23.1	23.2	23.5	24.3	24.1	24.1	24.3	25.1	26.0	26.3	25.8	25.3	25.5	25.6	25.7	25.4	
77.5	17.1	15.9	16.2	16.2	16.8	17.6	17.3	17.6	17.4	18.1	18.5	18.9	19.5	19.4	19.9	20.0	20.1	19.7	
80.0	10.6	9.8	10.1	10.3	10.2	11.2	10.6	10.6	11.3	11.5	11.8	11.8	11.8	12.3	12.5	12.5	13.0	12.6	

article code  
Ecowat Co.

lamp(s)  
1 x LED  
total flux  
2600 lm  
LOR  
100 %  
tilt angle  
0.0 °



luminaire : DownLight\_LED\_35W\_4000K

file : DOWNLIGHT\_LED\_35W\_4000K

article code

Ecowat Co.

lamp(s)

1 x LED

total flux

2600 lm

LOR

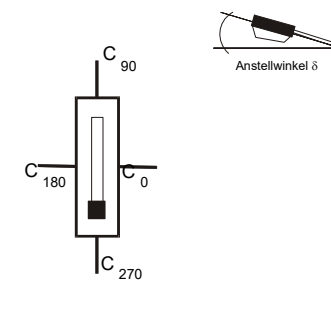
100 %

tilt angle

0.0 °



gamma / °	C 270	C 285	C 300	C 315	C 330	C 345
0.0	525.2	525.2	525.2	525.2	525.2	525.2
2.5	519.5	519.5	520.0	520.7	521.6	522.9
5.0	508.8	508.4	509.1	510.4	512.3	514.2
7.5	495.0	494.5	495.1	496.3	499.0	500.4
10.0	477.0	476.2	476.5	478.4	480.5	482.7
12.5	456.0	455.0	455.3	457.2	459.4	460.4
15.0	435.1	433.7	433.4	435.4	437.1	438.0
17.5	413.2	410.9	410.5	411.2	411.9	412.9
20.0	390.0	387.9	386.0	385.7	386.1	386.4
22.5	369.2	366.0	363.5	361.1	360.8	361.8
25.0	347.6	345.8	342.3	340.8	340.3	341.4
27.5	330.7	328.8	326.1	324.2	323.6	324.0
30.0	316.3	313.9	312.3	310.5	309.0	308.2
32.5	301.9	300.2	298.5	296.1	294.1	293.3
35.0	288.9	287.4	285.4	283.2	281.0	279.6
37.5	275.6	275.3	272.9	271.0	269.4	266.9
40.0	263.2	262.3	260.7	258.8	257.4	255.1
42.5	252.6	252.0	249.9	248.4	247.7	245.1
45.0	242.4	241.4	240.1	237.4	236.8	234.9
47.5	233.6	232.1	231.4	230.0	228.9	226.5
50.0	225.3	224.3	223.9	223.0	220.8	219.6
52.5	219.4	218.9	218.2	216.9	215.0	213.7
55.0	213.2	211.6	210.8	208.9	207.1	204.3
57.5	194.6	192.1	190.3	189.1	186.4	183.5
60.0	166.3	164.3	162.6	159.5	157.8	154.5
62.5	134.2	133.3	129.9	127.6	124.7	123.4
65.0	98.6	96.9	94.8	92.5	89.9	89.6
67.5	63.1	61.5	61.0	58.8	57.1	56.6
70.0	39.9	38.5	38.5	37.9	37.6	36.7
72.5	30.4	30.0	30.4	30.2	30.0	29.8
75.0	25.0	25.1	24.3	24.6	24.4	24.1
77.5	19.5	19.6	18.7	18.6	18.1	17.9
80.0	12.1	12.5	12.3	11.8	11.4	11.0

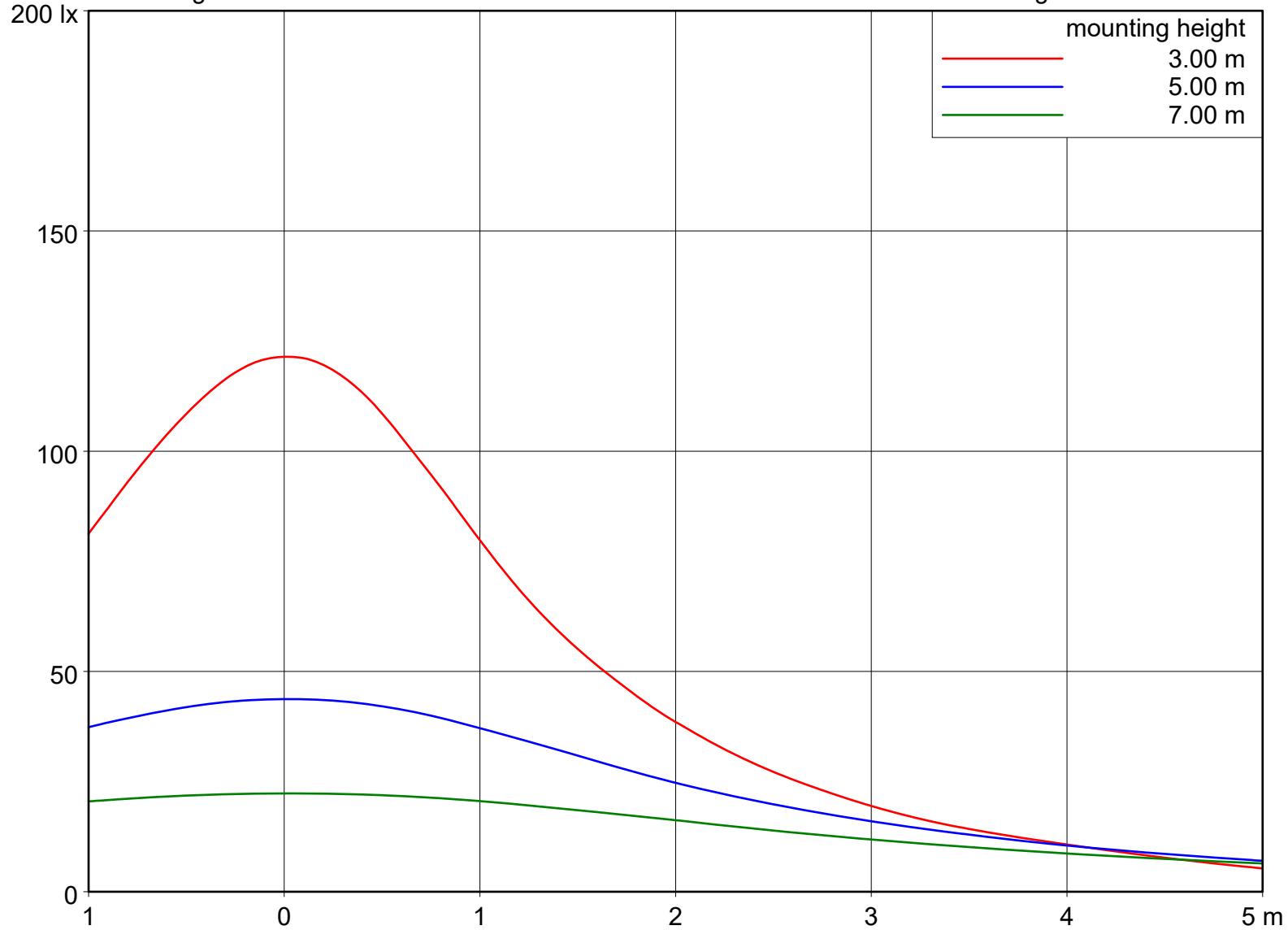


tilt angle : 0.0 °

swivel angle : 0.0 °

orientation : 0.0 °

light loss factor : 0.8



article code

Ecowat Co.

lamp(s)

1 x LED

total flux  
2600 lm

LOR

100 %

tilt angle

0.0 °

