

**meas. no.** 96L750  
**meas. date** 1/2/2018  
**operator** LightLab

**meas. conditions**  
 ambient temperature 25.0 °C  
 voltage 230.00 V  
 current 0.248 A  
 power consumption 55.6 W

**meas. lamps** lum. flux [lm]  
 1 5186.0 lm

**measurement results**  
 flux of luminaire 5186.4 lm  
 classification / DIN A60  
 lower flux fraction 99.78 %  
 upper flux fraction 0.22 %  
 intensity maximum 1166.9 cd/klm  
 in C-plane 178.5 °  
 at gamma 9.0 °  
 half value angle C0 : 25.9 °  
 C90 : 26.8 °  
 tenth value angle C0 : 45.7 °  
 C90 : 45.9 °

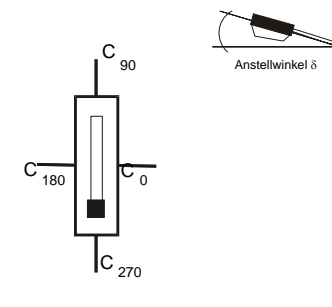
**article code**  
 Ecowat Co.

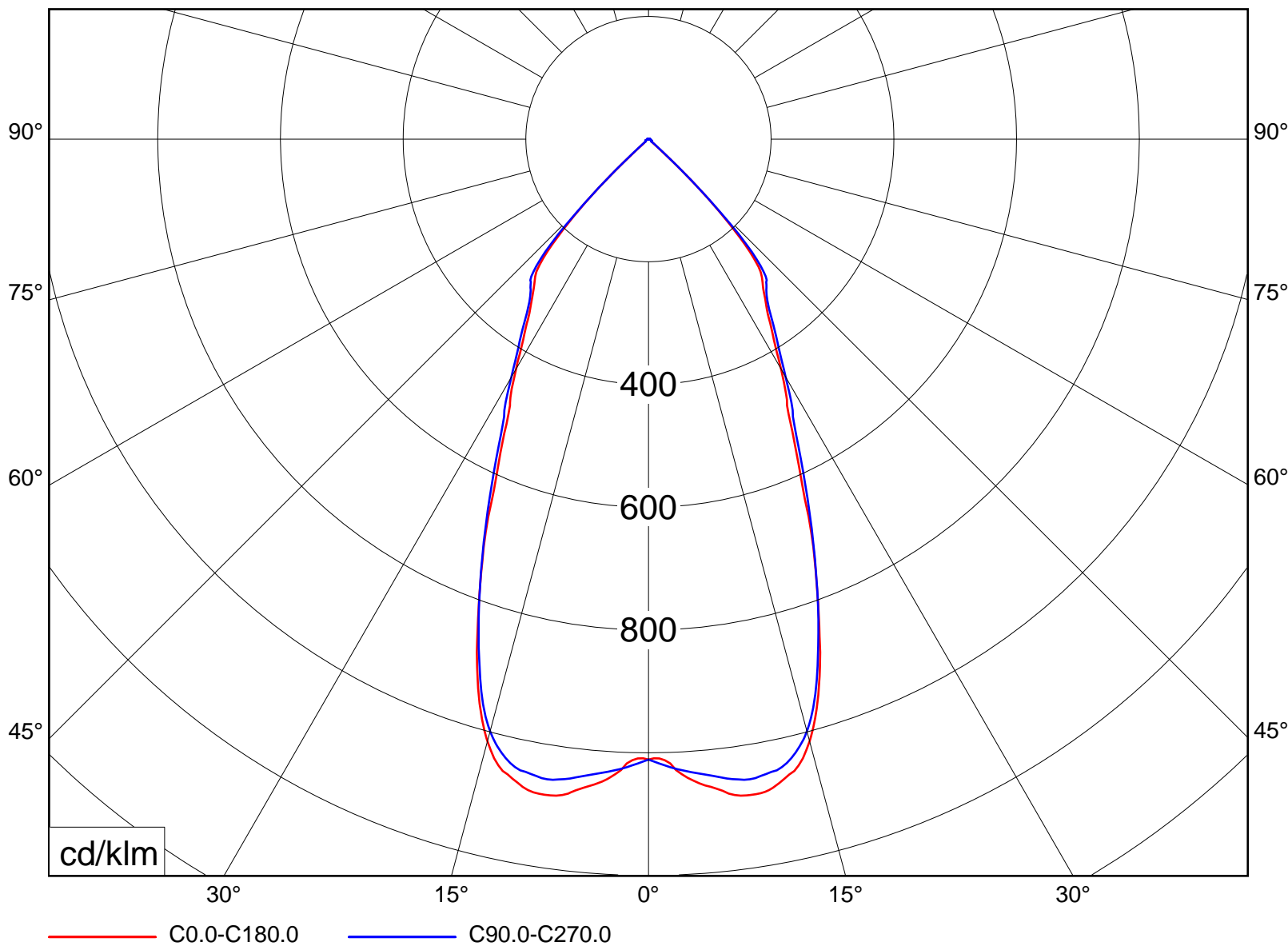
**lamp(s)**  
 1 x LED  
 total flux 5186 lm  
 LOR  
 100 %  
 tilt angle 0.0 °

**file**  
 DOWNLIGHT\_LE

**dimensions of luminaire**  
 diameter 220 mm  
 height 100 mm

**dimensions of luminous area**  
 diameter 150 mm  
 height C0 80 mm  
 height C90 80 mm  
 height C180 80 mm  
 height C270 80 mm

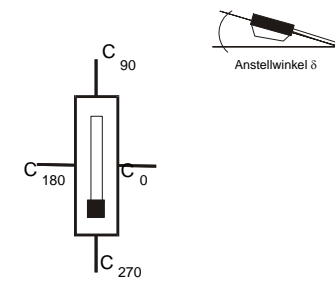
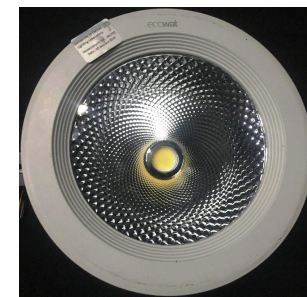


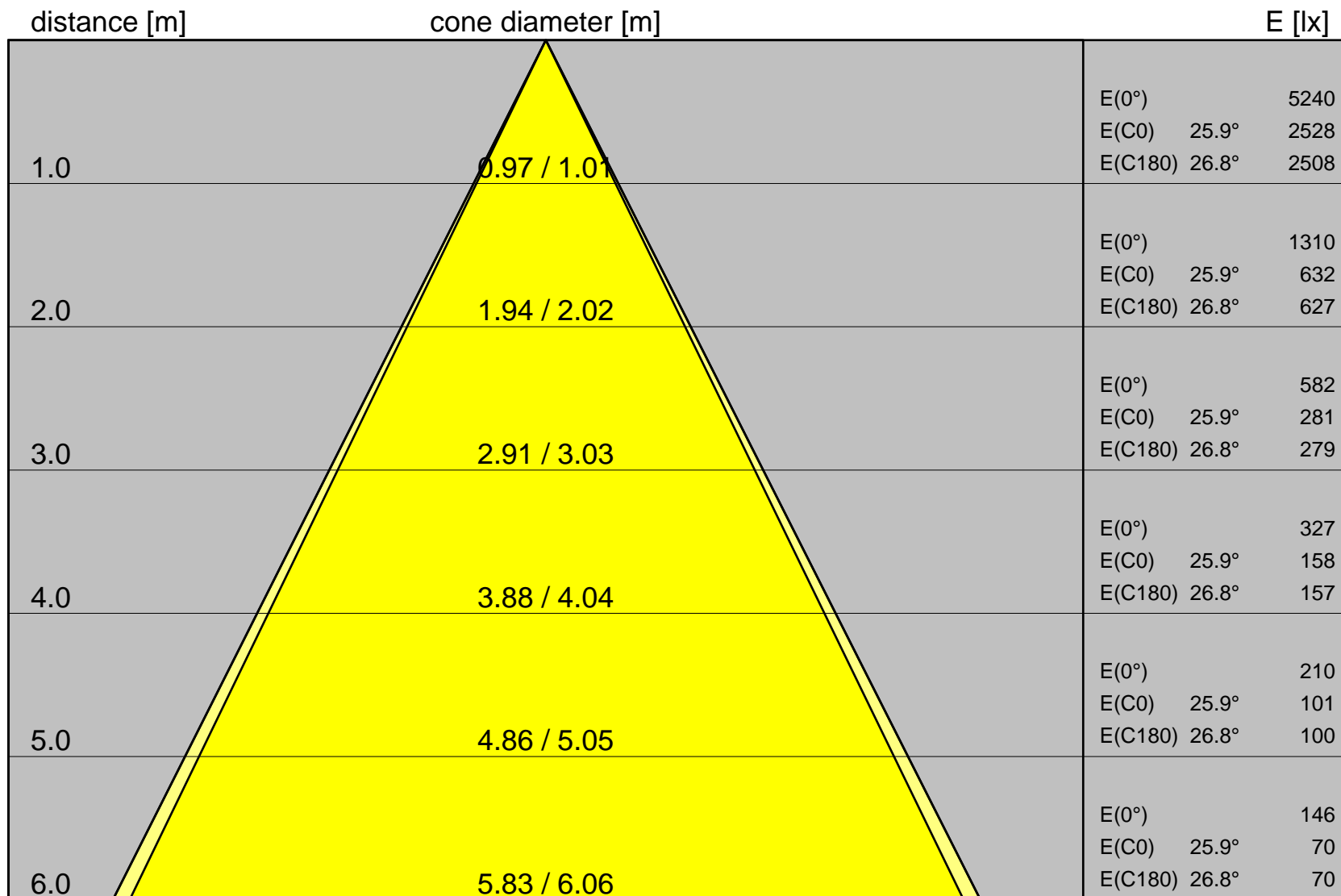


**article code**  
Ecowat Co.

**lamp(s)**  
1 x LED  
total flux  
5186 lm  
LOR  
100 %  
tilt angle  
0.0 °

**file**  
DOWNLIGHT\_LE



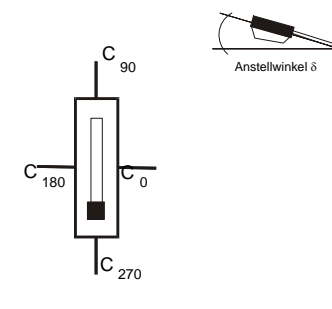
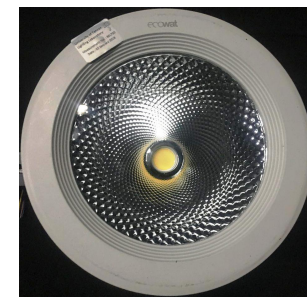


half value angle C0-180 : 51.8° C90-270 : 53.6°

**article code**  
Ecowat Co.

**lamp(s)**  
1 x LED  
total flux  
5186 lm  
LOR  
100 %  
tilt angle  
0.0 °

**file**  
DOWNLIGHT\_LE



article code

Ecowat Co.

lamp(s)

1 x LED

total flux

5186 lm

LOR

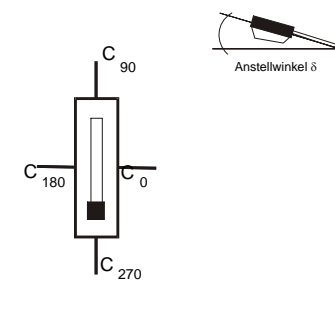
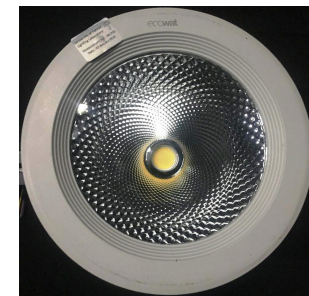
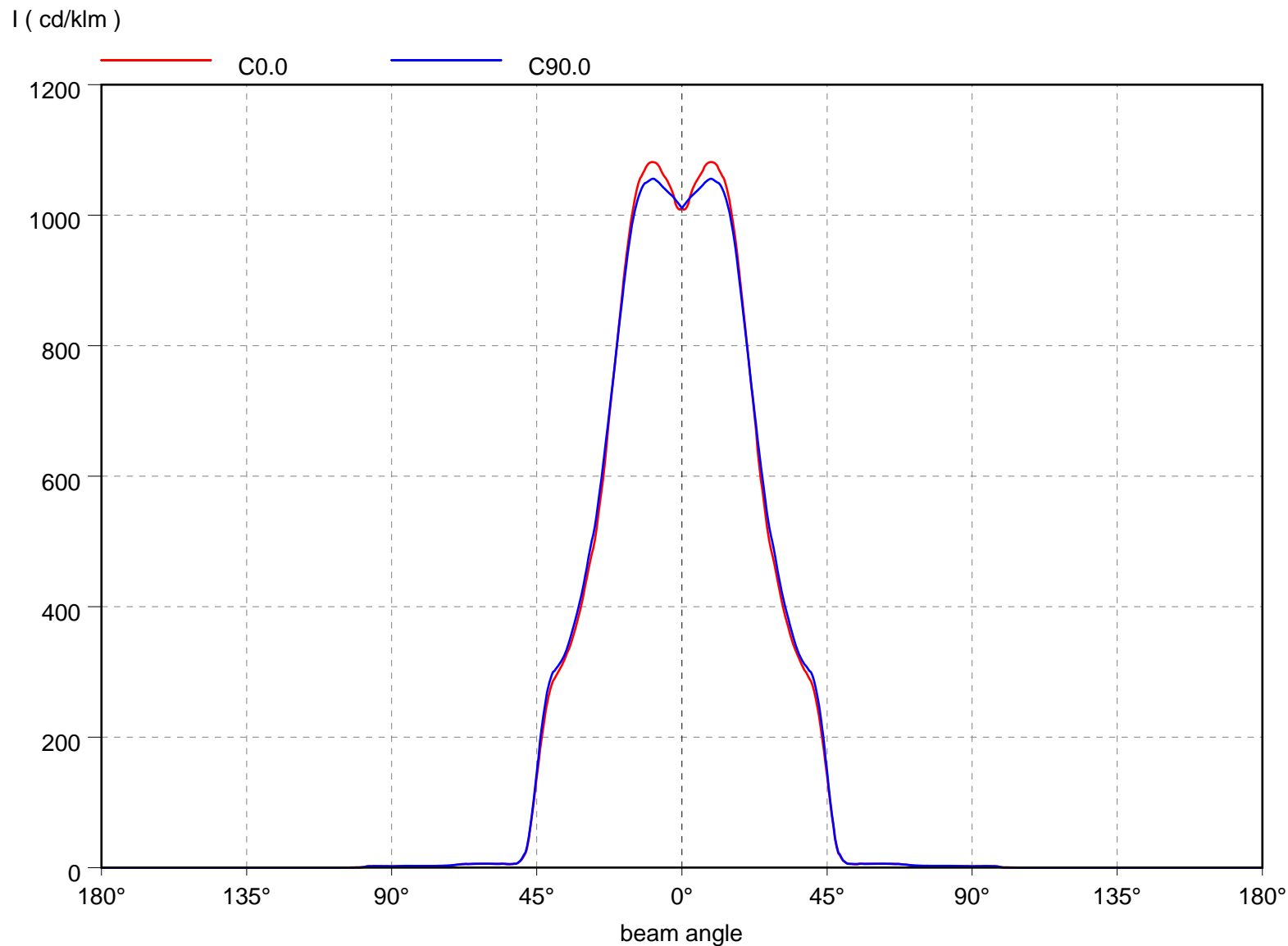
100 %

tilt angle

0.0 °

file

DOWNLIGHT\_LE



tilt angle : 0.0°  
 Schwenkwinkel : 0.0°

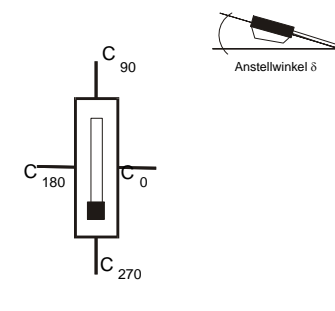
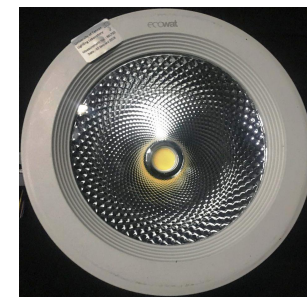
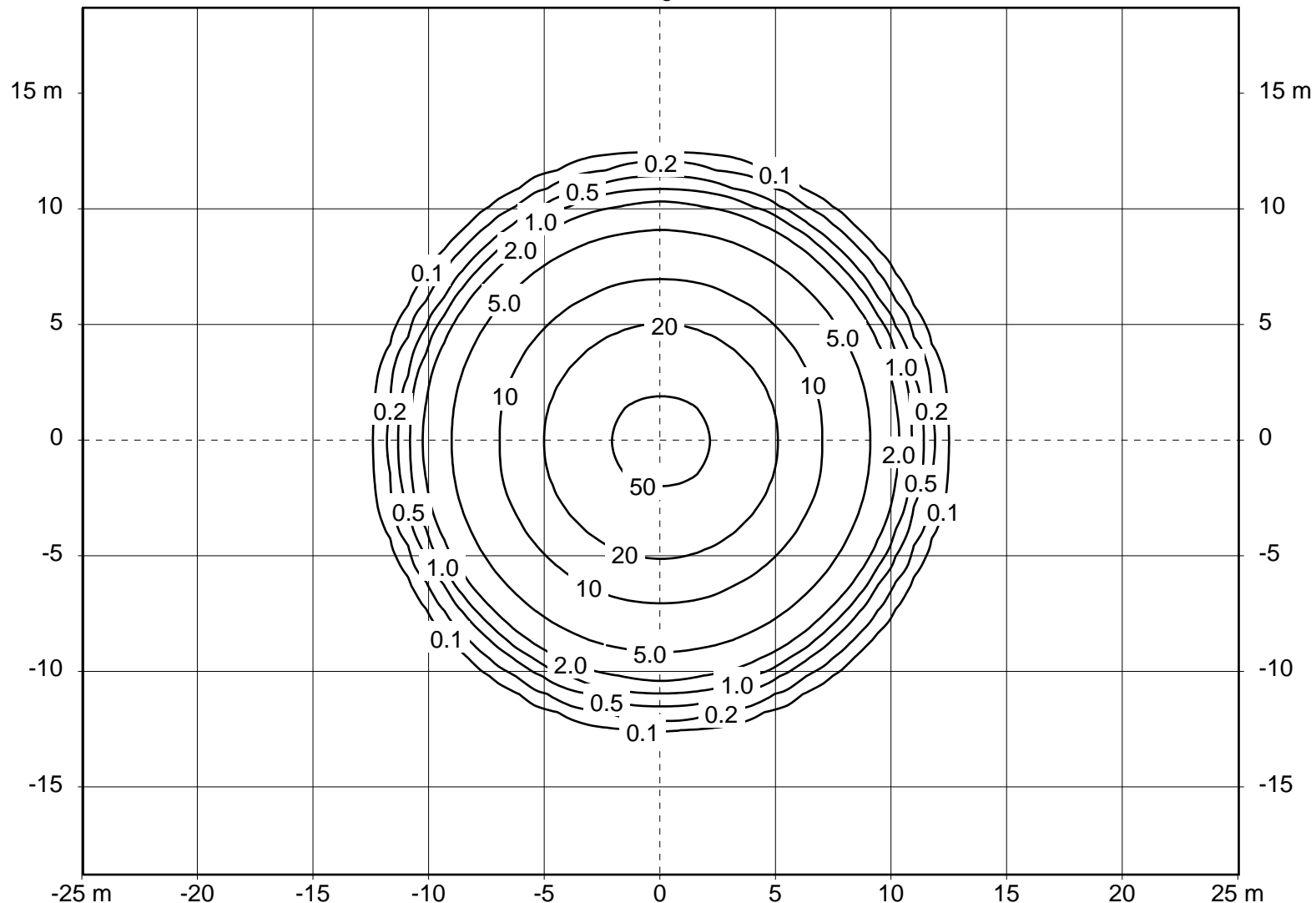
Lichtpunkthöhe : 10.0 m  
 Orientierung : 0.0°

Verminderungsfaktor : 1.0

article code  
 Ecowat Co.

lamp(s)  
 1 x LED  
 total flux  
 5186 lm  
 LOR  
 100 %  
 tilt angle  
 0.0°

file  
 DOWNLIGHT\_LE



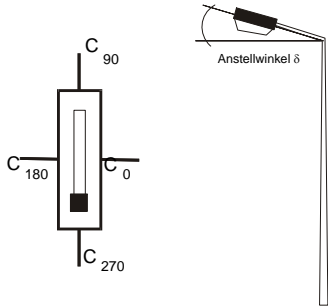
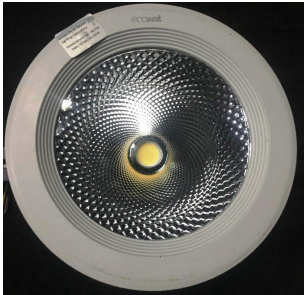
gamma / °	C 0	C 15	C 30	C 45	C 60	C 75	C 90	C 105	C 120	C 135	C 150	C 165	C 180	C 195	C 210	C 225	C 240
0	1010	1010	1010	1010	1010	1010	1010	1010	1010	1010	1010	1010	1010	1010	1010	1010	1010
5	1057	1060	1054	1050	1043	1040	1039	1040	1043	1050	1054	1060	1057	1060	1054	1050	1043
10	1080	1083	1075	1067	1060	1056	1053	1056	1060	1067	1075	1083	1080	1083	1075	1067	1060
15	1015	1019	1018	1012	1005	999	998	999	1005	1012	1018	1019	1015	1019	1018	1012	1005
20	809	814	815	814	811	810	808	810	811	814	815	814	809	814	815	814	811
25	576	591	595	595	595	594	595	594	595	595	595	591	576	591	595	595	595
30	432	443	444	447	446	448	447	448	446	447	444	443	432	443	444	447	446
35	336	343	345	345	346	345	346	345	346	345	345	343	336	343	345	345	346
40	286	294	296	297	298	298	300	298	298	297	296	294	286	294	296	297	298
45	140	145	142	146	148	147	147	147	148	146	142	145	140	145	142	146	148
50	11	11	10	10	11	10	11	10	11	10	10	11	11	11	10	10	11

gamma / °	C 255	C 270	C 285	C 300	C 315	C 330	C 345
0	1010	1010	1010	1010	1010	1010	1010
5	1040	1039	1040	1043	1050	1054	1060
10	1056	1053	1056	1060	1067	1075	1083
15	999	998	999	1005	1012	1018	1019
20	810	808	810	811	814	815	814
25	594	595	594	595	595	595	591
30	448	447	448	446	447	444	443
35	345	346	345	346	345	345	343
40	298	300	298	298	297	296	294
45	147	147	147	148	146	142	145
50	10	11	10	11	10	10	11

**article code**  
Ecowat Co.

**lamp(s)**  
1 x LED  
total flux  
5186 lm  
LOR  
100 %  
tilt angle  
0.0 °

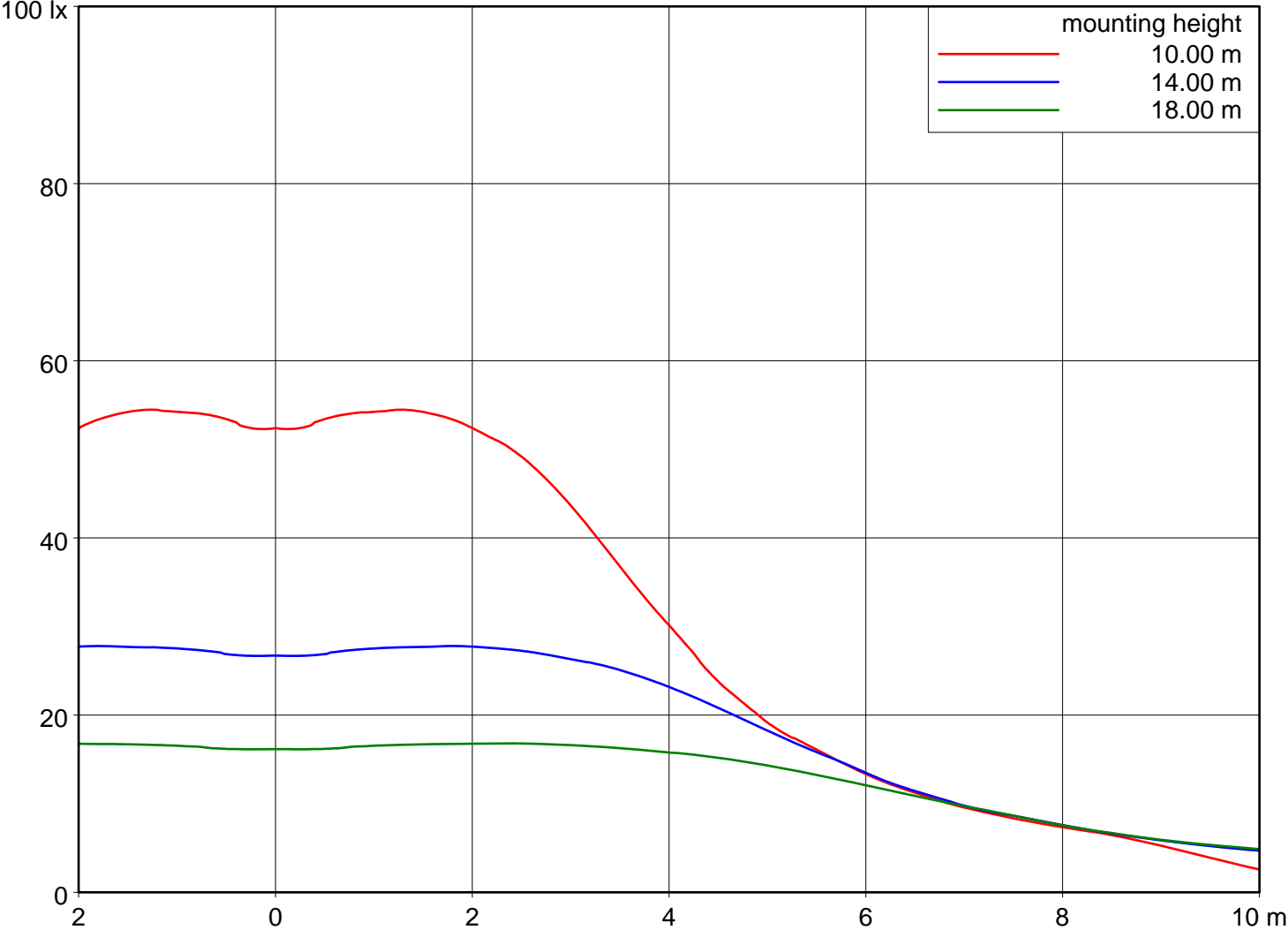
**file**  
DOWNLIGHT\_LE



tilt angle : 0.0 °  
swivel angle : 0.0 °

orientation : 0.0 °

light loss factor : 1.0



article code  
Ecowat Co.

lamp(s)  
1 x LED  
total flux  
5186 lm  
LOR  
100 %  
tilt angle  
0.0 °

file  
DOWNLIGHT\_LE

