

file : DOWNLIGHT_LED_15W_CW

meas. no. 99L1202
meas. date 7/1/2020
operator LightLab.

meas. conditions
 ambient temperature 25.0 °C
 voltage 230.00 V
 current 0.105 A
 power consumption 12.5 W
 Leistungsfaktor 0.520

meas. lamps lum. flux [lm]
 absolute measurement 933.1 lm
 efficency 75 lm/w

dimensions of luminaire
 diameter 90 mm
 height 80 mm

dimensions of luminous area
 diameter 60 mm
 height C0 30 mm
 height C90 30 mm
 height C180 30 mm
 height C270 30 mm

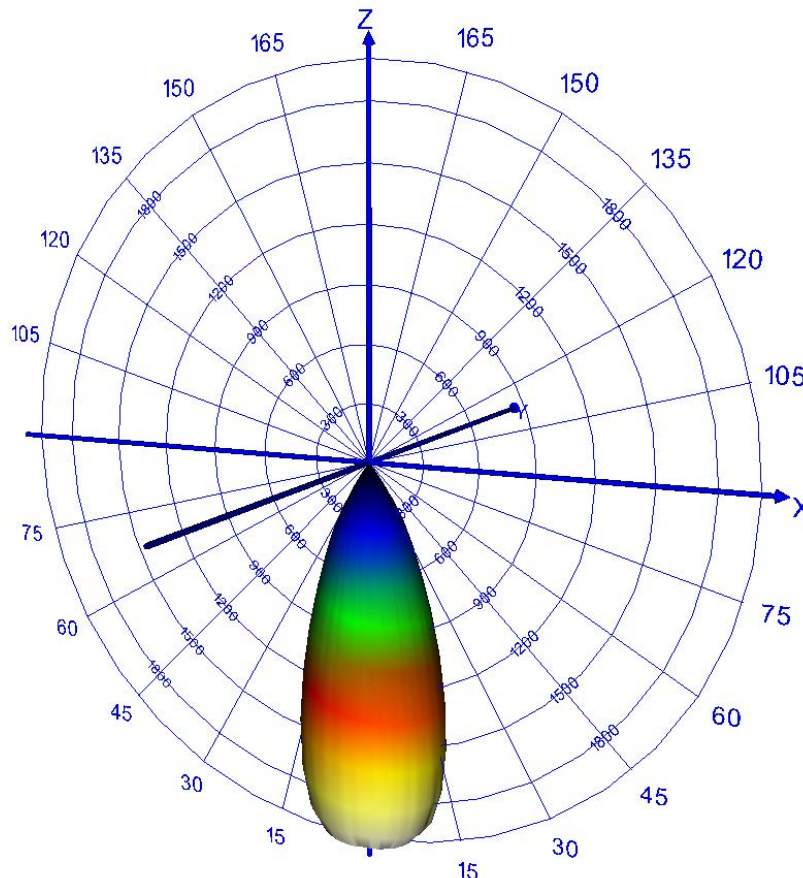
reflector

cover

variant

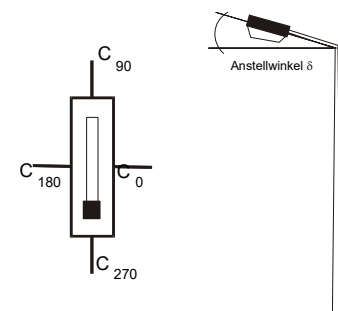
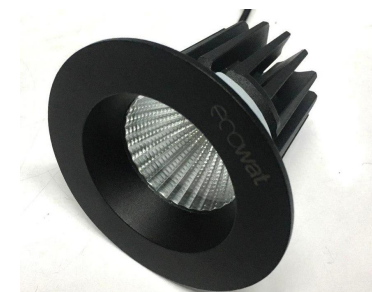
measurement results
 flux of luminaire 933.1 lm
 classification / DIN A60
 lower flux fraction 100.00 %
 upper flux fraction 0.00 %
 intensity maximum 2002.4 cd
 in C-plane 317.5 °
 at gamma 5.0 °
 half value angle C0 : 19.7 °
 C90 : 19.7 °
 tenth value angle C0 : 32.0 °
 C90 : 32.5 °

remarks



article code
 Ecowat Co.

lamp(s)
 1 x LED
 total flux 933 lm
 LOR 100 %
 tilt angle 0.0 °



article code

Ecowat Co.

lamp(s)

1 x LED

total flux

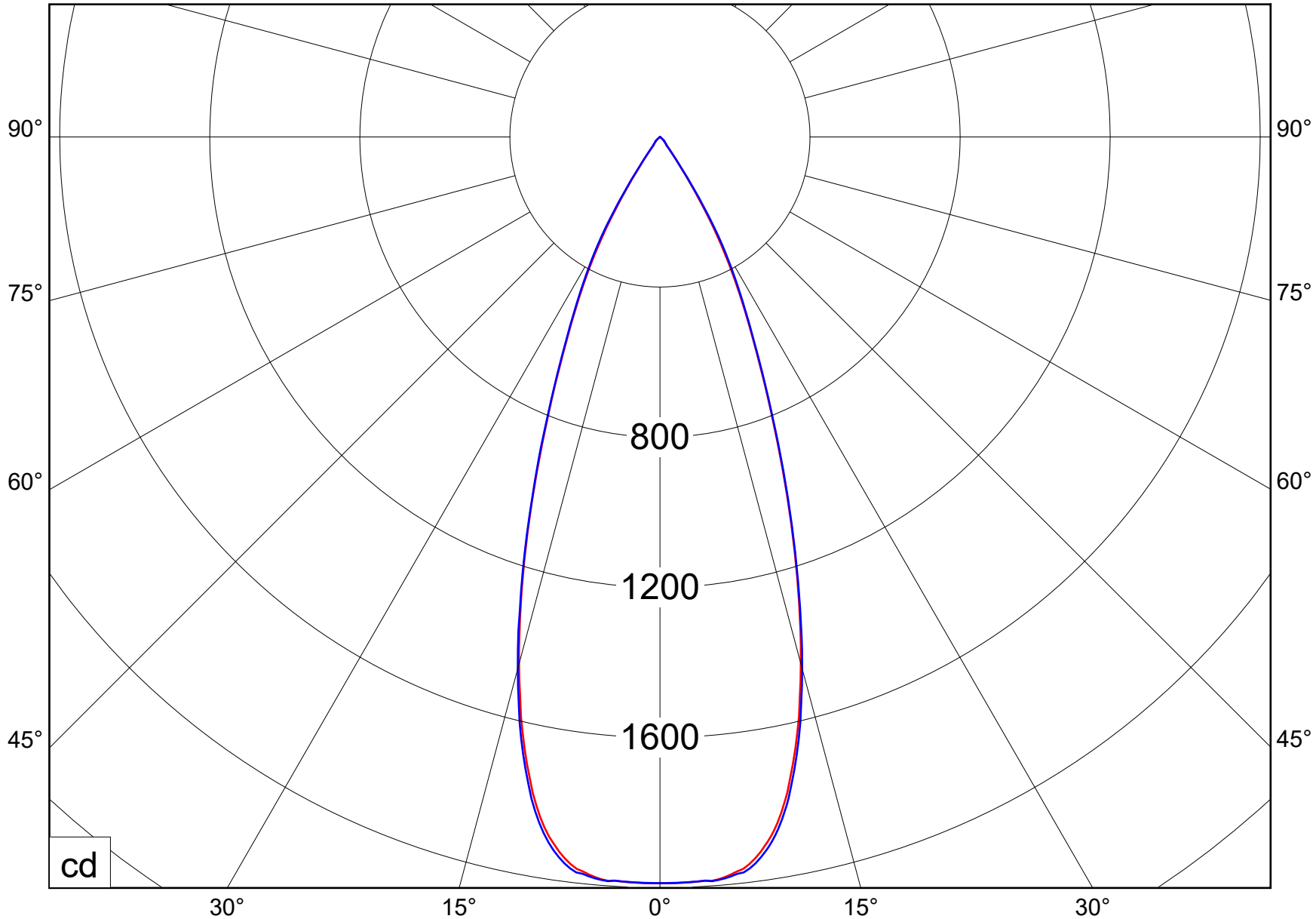
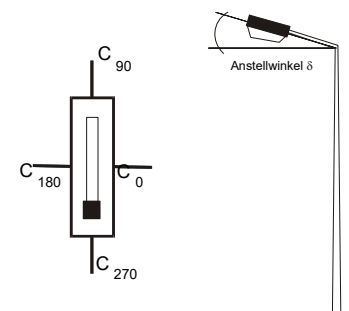
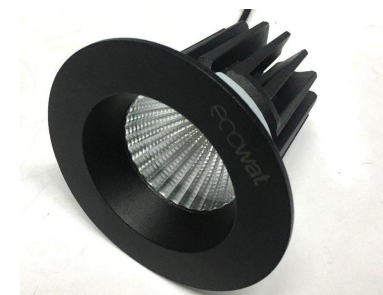
933 lm

LOR

100 %

tilt angle

0.0 °

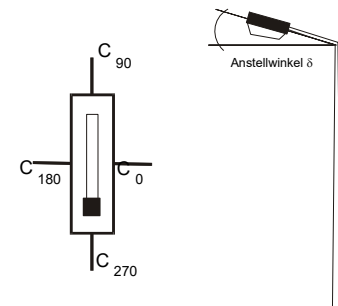
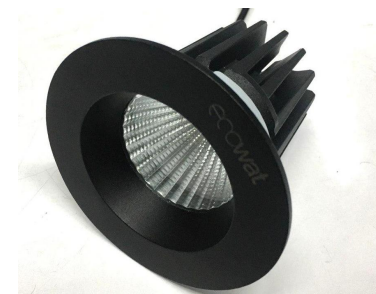


— C0.0-C180.0 — C90.0-C270.0

distance [m]	cone diameter [m]	E [lx]
1.0	0.72 / 0.72	E(0°) 1987 E(C0) 19.7° 938 E(C180) 19.7° 938
2.0	1.43 / 1.43	E(0°) 497 E(C0) 19.7° 235 E(C180) 19.7° 235
3.0	2.15 / 2.15	E(0°) 221 E(C0) 19.7° 104 E(C180) 19.7° 104
4.0	2.86 / 2.86	E(0°) 124 E(C0) 19.7° 59 E(C180) 19.7° 59
5.0	3.58 / 3.58	E(0°) 79 E(C0) 19.7° 38 E(C180) 19.7° 38

article code
Ecowat Co.

lamp(s)
1 x LED
total flux
933 lm
LOR
100 %
tilt angle
0.0 °



half value angle C0-180 : 39.4° C90-270 : 39.4°

article code

Ecovat Co.

lamp(s)

1 x LED

total flux

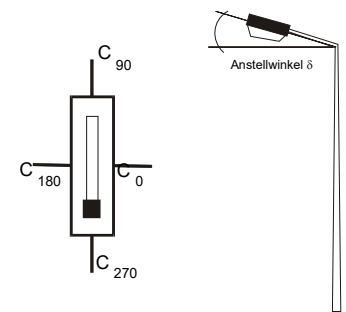
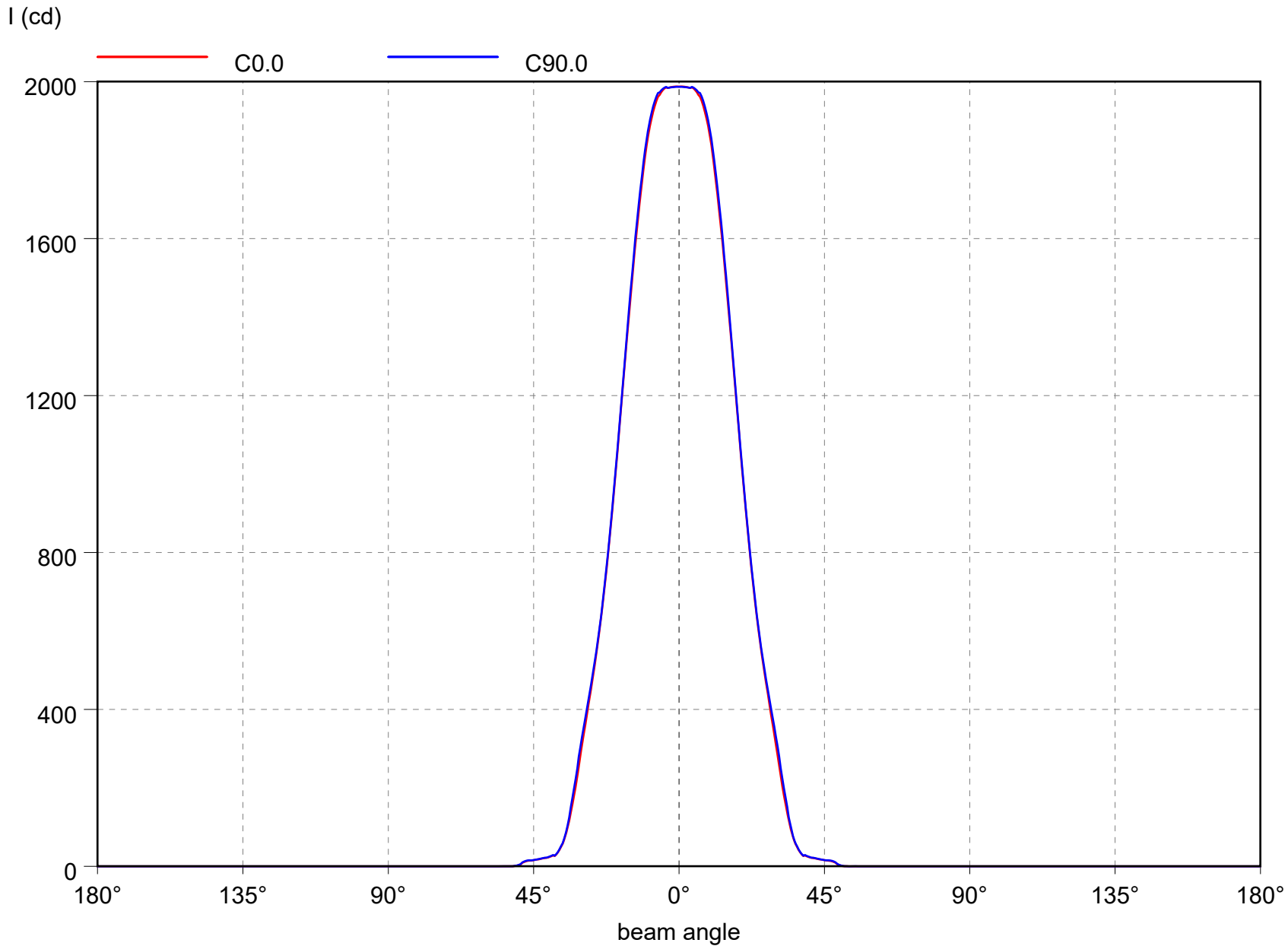
933 lm

LOR

100 %

tilt angle

0.0 °



tilt angle : 0.0°
swivel angle : 0.0°

mounting height : 6.00 m
orientation : 0.0°

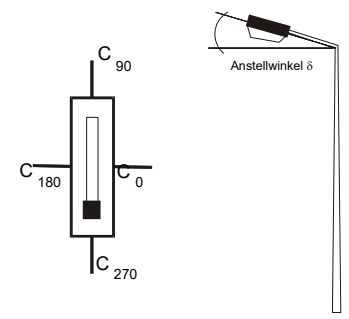
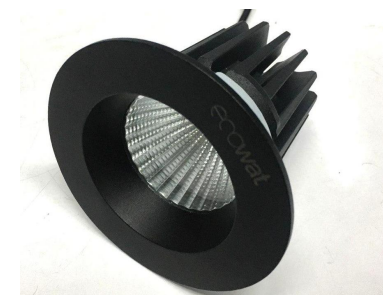
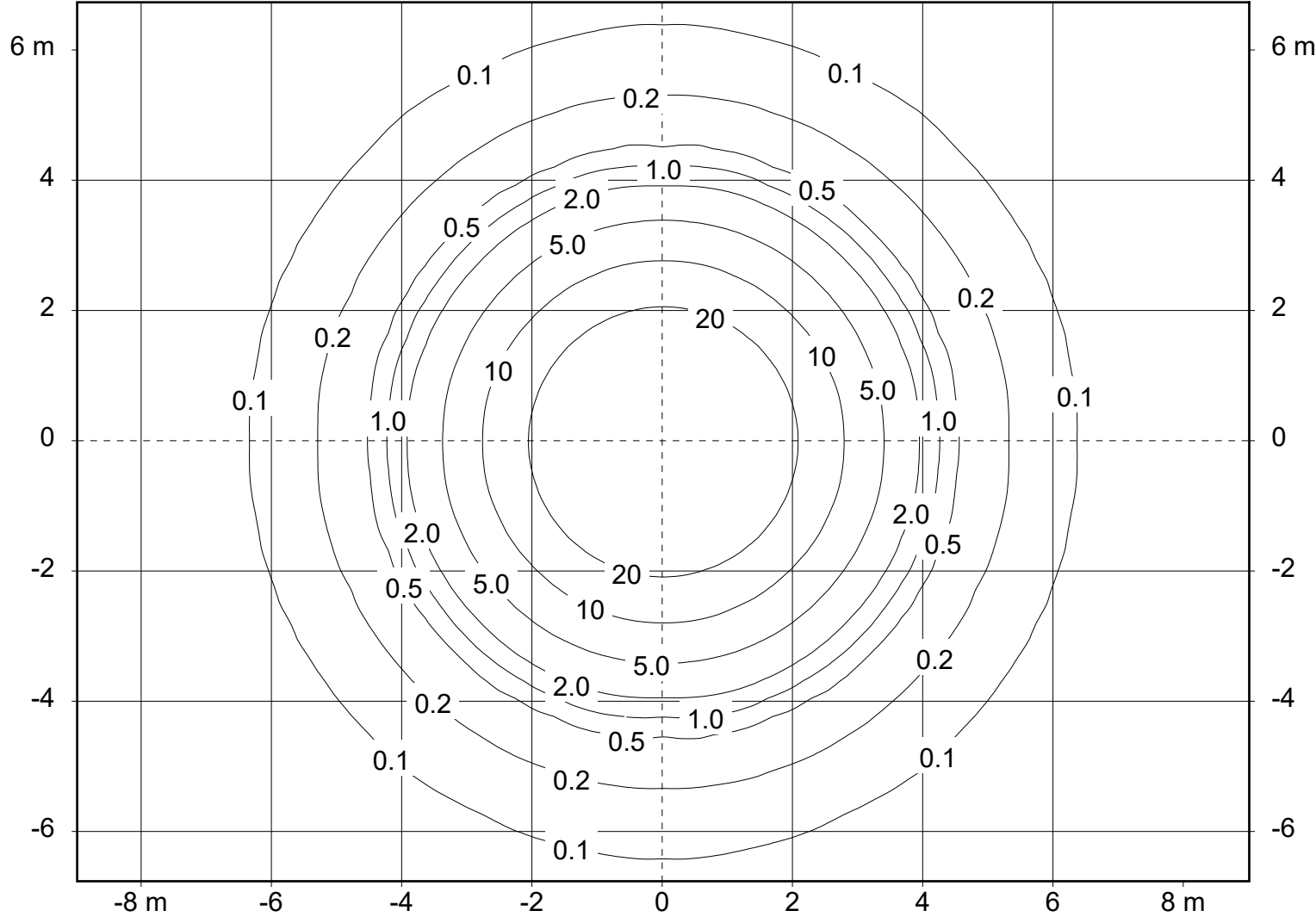
light loss factor : 0.8

article code

Ecowat Co.

lamp(s)

1 x LED
total flux
933 lm
LOR
100 %
tilt angle
0.0°

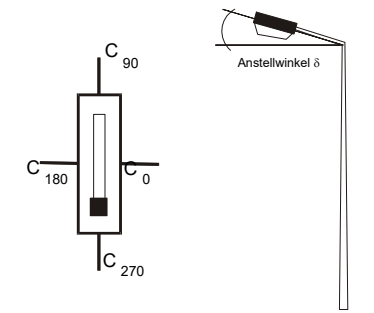


file : DOWNLIGHT_LED_15W_CW

gamma / °	C 0	C 15	C 30	C 45	C 60	C 75	C 90	C 105	C 120	C 135	C 150	C 165	C 180	C 195	C 210	C 225	C 240	C 255
0.0	2130	2130	2130	2130	2130	2130	2130	2130	2130	2130	2130	2130	2130	2130	2130	2130	2130	2130
2.5	2129	2128	2128	2128	2128	2128	2128	2128	2128	2128	2128	2128	2129	2128	2128	2128	2128	2128
5.0	2121	2120	2119	2122	2122	2123	2124	2123	2122	2122	2119	2120	2121	2120	2119	2122	2122	2123
7.5	2078	2083	2082	2084	2087	2088	2091	2088	2087	2084	2082	2083	2078	2083	2082	2084	2087	2088
10.0	1971	1976	1975	1978	1982	1985	1987	1985	1982	1978	1975	1976	1971	1976	1975	1978	1982	1985
12.5	1788	1794	1792	1796	1799	1805	1806	1805	1799	1796	1792	1794	1788	1794	1792	1796	1799	1805
15.0	1556	1559	1556	1558	1563	1567	1569	1567	1563	1558	1556	1559	1556	1559	1556	1558	1563	1567
17.5	1298	1297	1296	1295	1299	1302	1304	1302	1299	1295	1296	1297	1298	1297	1296	1295	1299	1302
20.0	1038	1041	1039	1038	1039	1042	1045	1042	1039	1038	1039	1041	1038	1041	1039	1038	1039	1042
22.5	806	812	808	809	810	810	812	810	810	809	808	812	806	812	808	809	810	810
25.0	618	624	623	625	627	627	625	627	627	625	623	624	618	624	623	625	627	627
27.5	471	477	479	482	484	486	482	486	484	482	479	477	471	477	479	482	484	486
30.0	331	338	342	346	354	355	355	355	354	346	342	338	331	338	342	346	354	355
32.5	193	200	203	205	211	212	213	212	211	205	203	200	193	200	203	205	211	212
35.0	89	92	93	93	93	94	93	94	93	93	93	92	89	92	93	93	93	94
37.5	38	41	40	39	39	40	39	40	39	39	40	41	38	41	40	39	39	40
40.0	26	27	27	27	27	27	27	27	27	27	27	27	26	27	27	27	27	27
42.5	21	21	21	21	21	21	22	21	21	21	21	21	21	21	21	21	21	21
45.0	17	17	17	17	17	17	17	17	17	17	17	17	17	17	17	17	17	17
47.5	13	14	14	14	14	14	15	14	14	14	14	14	13	14	14	14	14	14

article code
Ecowat Co.

lamp(s)
1 x LED
total flux
933 lm
LOR
100 %
tilt angle
0.0 °



luminaire : DownLight_LED_15W_CW

file : DOWNLIGHT_LED_15W_CW

gamma / °	C 270	C 285	C 300	C 315	C 330	C 345
0.0	2130	2130	2130	2130	2130	2130
2.5	2128	2128	2128	2128	2128	2128
5.0	2124	2123	2122	2122	2119	2120
7.5	2091	2088	2087	2084	2082	2083
10.0	1987	1985	1982	1978	1975	1976
12.5	1806	1805	1799	1796	1792	1794
15.0	1569	1567	1563	1558	1556	1559
17.5	1304	1302	1299	1295	1296	1297
20.0	1045	1042	1039	1038	1039	1041
22.5	812	810	810	809	808	812
25.0	625	627	627	625	623	624
27.5	482	486	484	482	479	477
30.0	355	355	354	346	342	338
32.5	213	212	211	205	203	200
35.0	93	94	93	93	93	92
37.5	39	40	39	39	40	41
40.0	27	27	27	27	27	27
42.5	22	21	21	21	21	21
45.0	17	17	17	17	17	17
47.5	15	14	14	14	14	14

article code

Ecowat Co.

lamp(s)

1 x LED

total flux

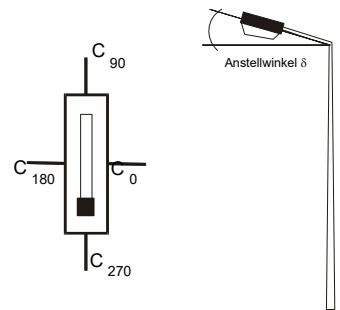
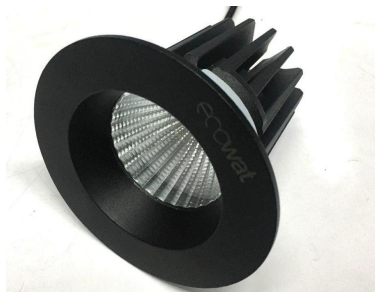
933 lm

LOR

100 %

tilt angle

0.0 °

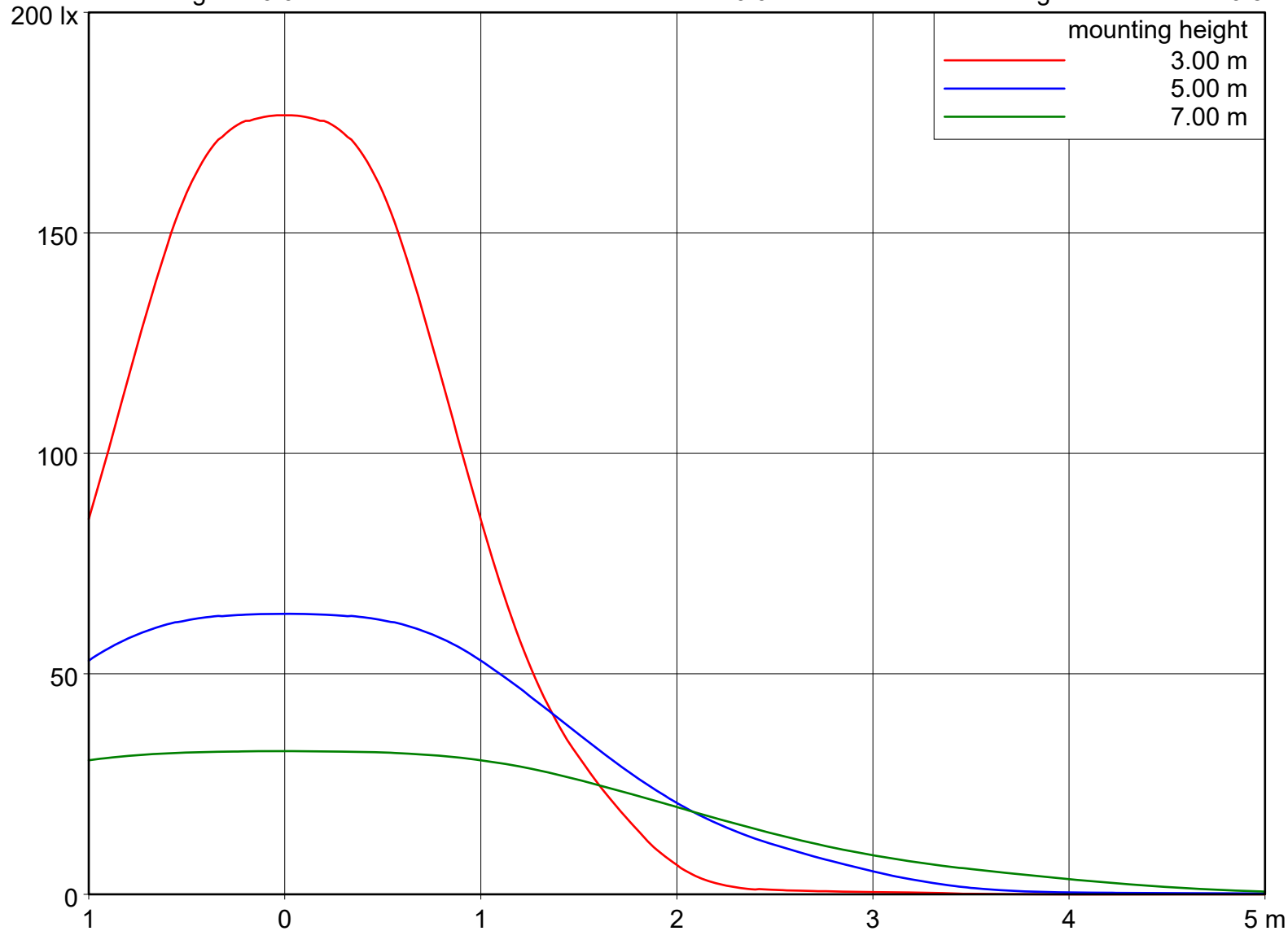


tilt angle : 0.0 °

swivel angle : 0.0 °

orientation : 0.0 °

light loss factor : 0.8



article code

Ecowat Co.

lamp(s)

1 x LED
 total flux
 933 lm
 LOR
 100 %
 tilt angle
 0.0 °

