

file : DOWNLIGHT\_LED\_35W\_CW

**meas. no.** 99L1204  
**meas. date** 7/1/2020  
**operator** LightLab.

**meas. conditions**  
 ambient temperature 25.0 °C  
 voltage 230.00 V  
 current 0.147 A  
 power consumption 33.0 W  
 Leistungsfaktor 0.971

**meas. lamps** lum. flux [lm]  
 absolute measurement 2828.1 lm  
 efficeiancy 86 lm/w

**dimensions of luminaire**  
 diameter 110 mm  
 height 100 mm

**dimensions of luminous area**  
 diameter 85 mm  
 height C0 40 mm  
 height C90 40 mm  
 height C180 40 mm  
 height C270 40 mm

**reflector**

**cover**

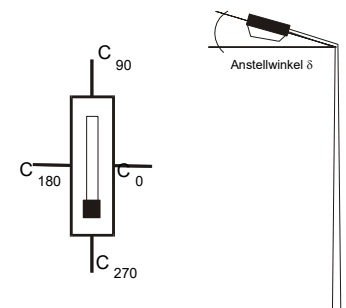
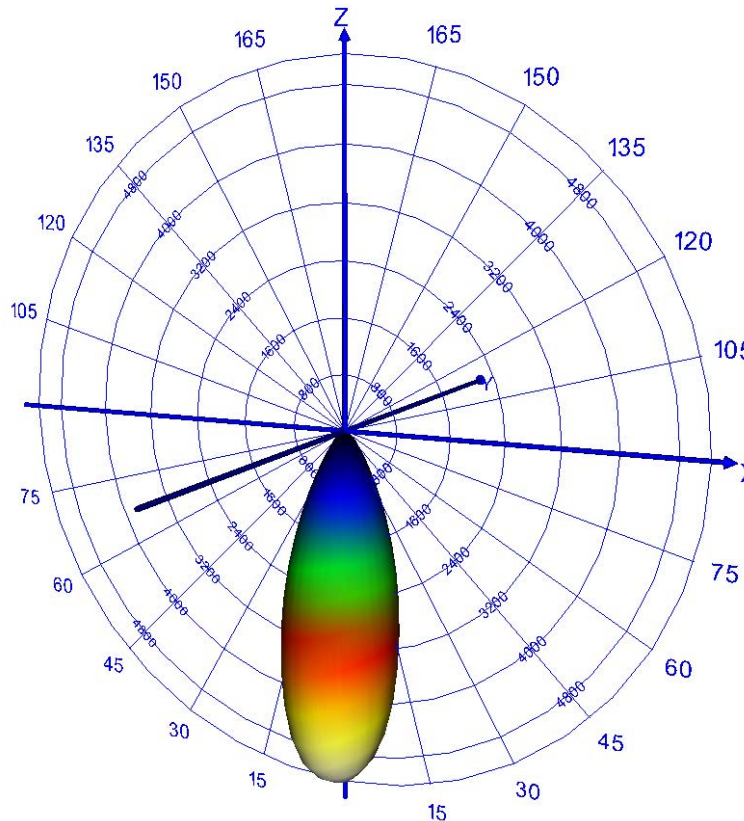
**variant**

**measurement results**  
 flux of luminaire 2828.1 lm  
 classification / DIN A60  
 lower flux fraction 100.00 %  
 upper flux fraction 0.00 %  
 intensity maximum 5209.1 cd  
 in C-plane 185.0 °  
 at gamma 2.5 °  
 half value angle C0 : 18.7 °  
 C180 : 18.7 °  
 C90 : 18.3 °  
 tenth value angle C0 : 36.5 °  
 C180 : 36.5 °  
 C90 : 36.2 °

**article code**  
 Ecowat Co.

**lamp(s)**  
 1 x LED  
 total flux 2828 lm  
 LOR 100 %  
 tilt angle 0.0 °

**remarks**



article code

Ecowat Co.

lamp(s)

1 x LED

total flux

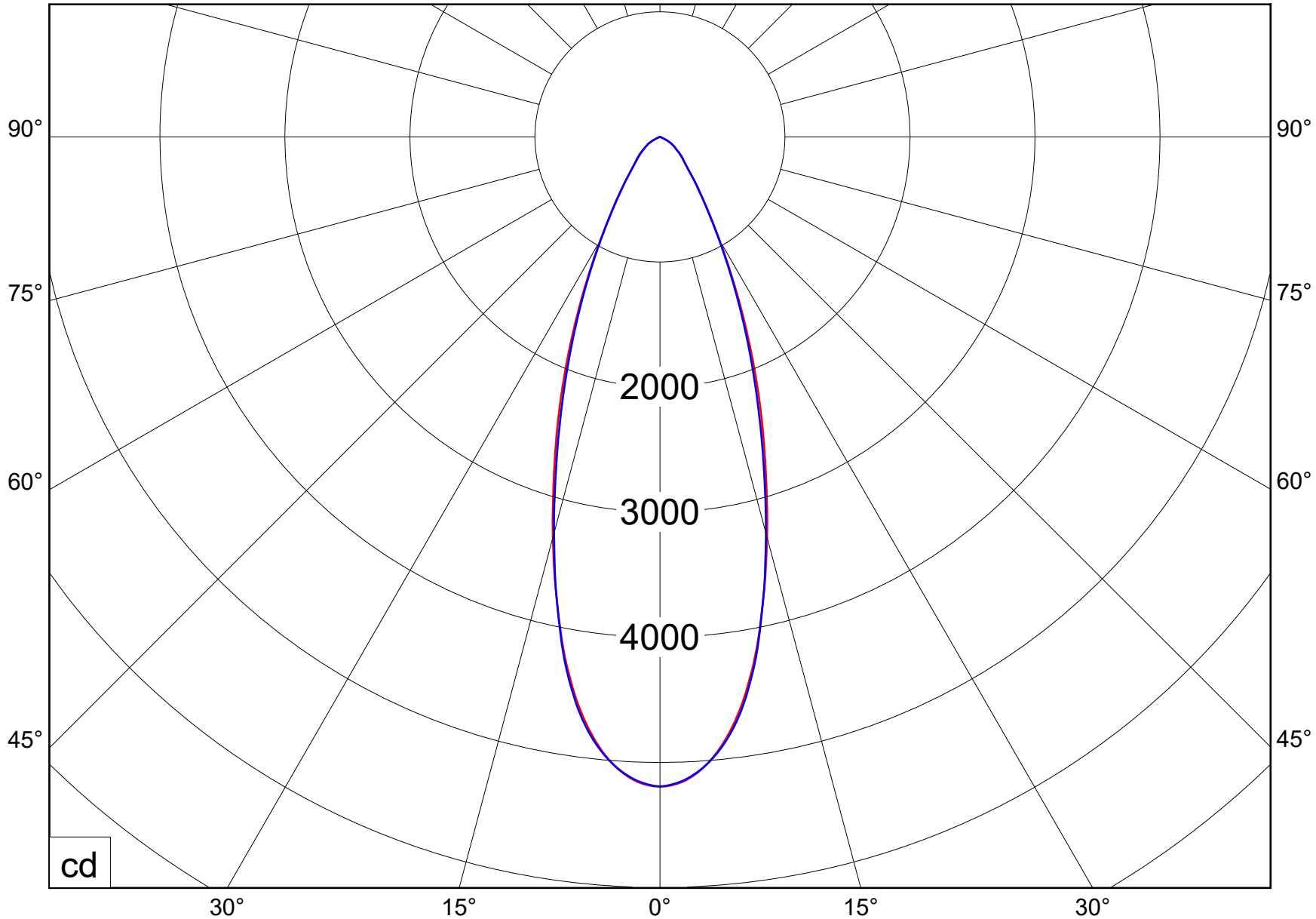
2828 lm

LOR

100 %

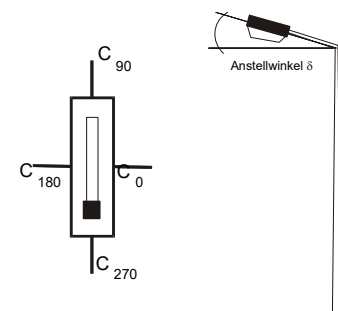
tilt angle

0.0 °



— C0.0-C180.0

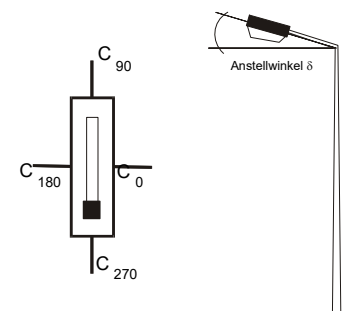
— C90.0-C270.0



distance [m]	cone diameter [m]	E [lx]
1.0	0.68	E(0°) 5189 E(C0) 18.7° 2460
2.0	1.35	E(0°) 1297 E(C0) 18.7° 615
3.0	2.03	E(0°) 577 E(C0) 18.7° 273
4.0	2.71	E(0°) 324 E(C0) 18.7° 154
5.0	3.38	E(0°) 208 E(C0) 18.7° 98

article code  
Ecowat Co.

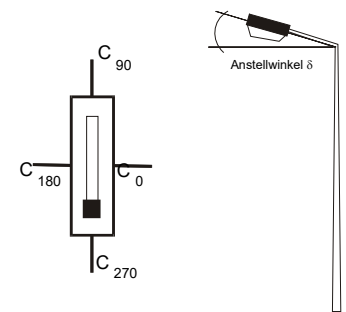
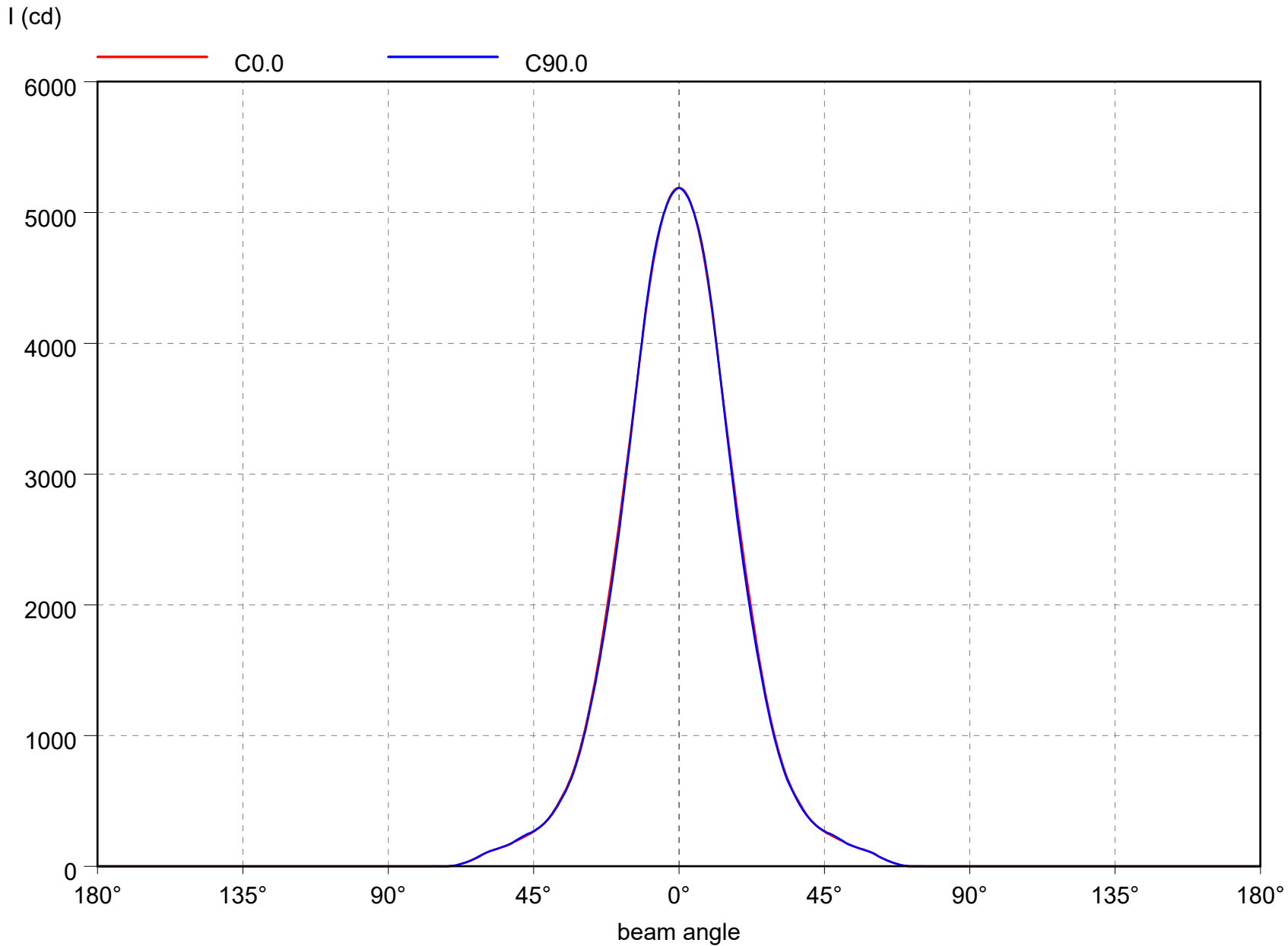
lamp(s)  
1 x LED  
total flux  
2828 lm  
LOR  
100 %  
tilt angle  
0.0 °



half value angle 37.4°

article code  
Ecowat Co.

lamp(s)  
1 x LED  
total flux  
2828 lm  
LOR  
100 %  
tilt angle  
0.0 °



tilt angle : 0.0°  
swivel angle : 0.0°

mounting height : 6.00 m  
orientation : 0.0°

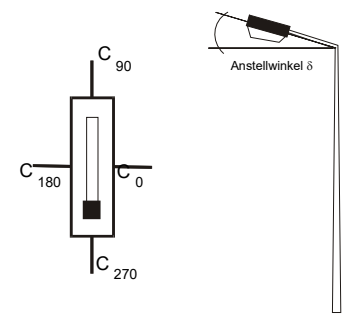
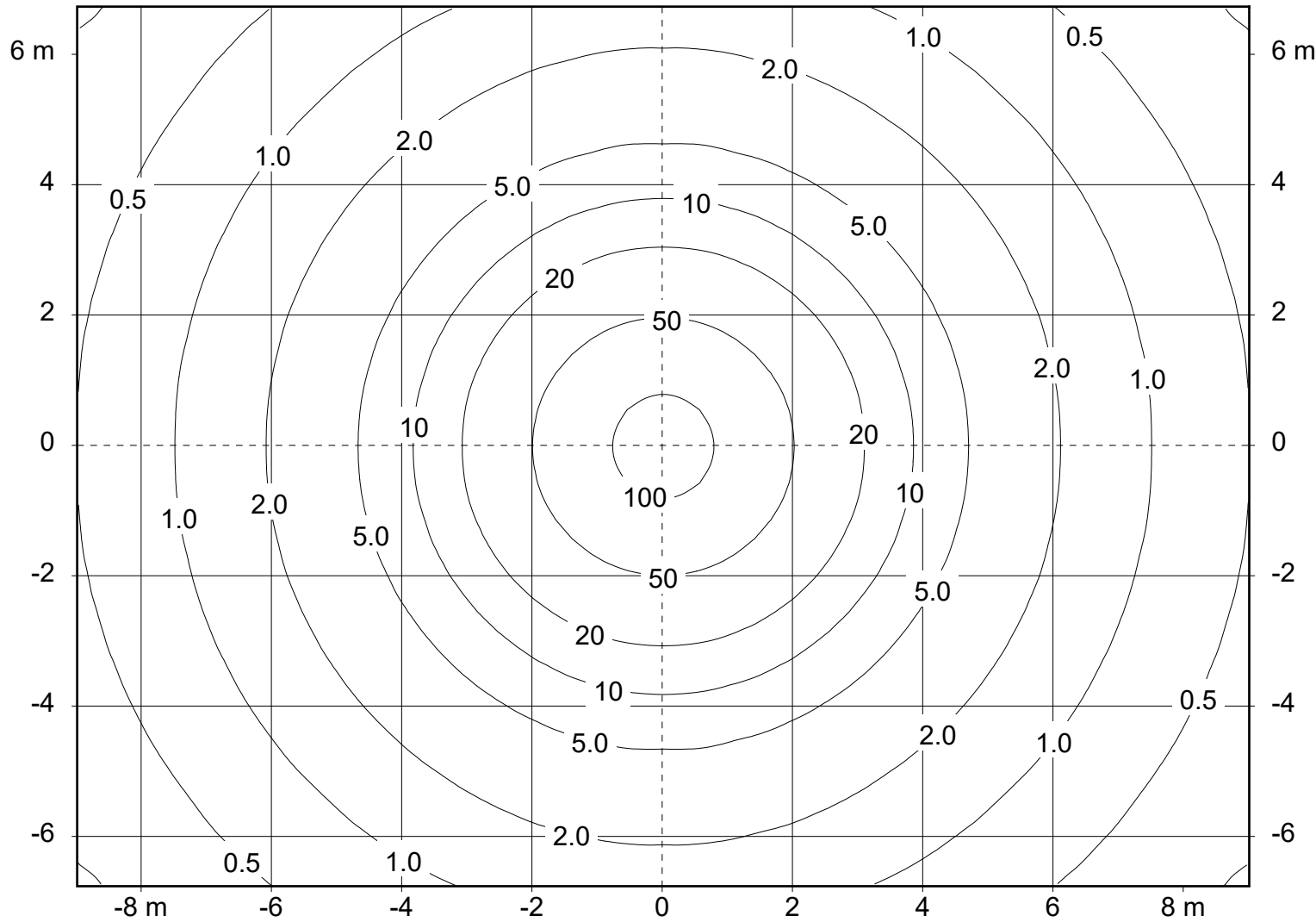
light loss factor : 0.8

article code

Ecowat Co.

lamp(s)

1 x LED  
total flux  
2828 lm  
LOR  
100 %  
tilt angle  
0.0°

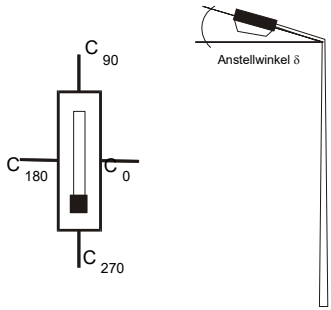


file : DOWNLIGHT\_LED\_35W\_CW

gamma / °	C 0	C 15	C 30	C 45	C 60	C 75	C 90	C 105	C 120	C 135	C 150	C 165	C 180	C 195	C 210	C 225	C 240	C 255
0.0	1835	1835	1835	1835	1835	1835	1835	1835	1835	1835	1835	1835	1835	1835	1835	1835	1835	1835
2.5	1816	1815	1815	1814	1813	1813	1813	1813	1813	1814	1815	1815	1816	1815	1815	1814	1813	1813
5.0	1755	1757	1756	1756	1757	1758	1757	1758	1757	1756	1756	1757	1755	1757	1756	1756	1757	1758
7.5	1656	1658	1659	1660	1663	1664	1664	1664	1663	1660	1659	1658	1656	1658	1659	1660	1663	1664
10.0	1516	1518	1517	1518	1521	1523	1525	1523	1521	1518	1517	1518	1516	1518	1517	1518	1521	1523
12.5	1346	1348	1346	1345	1345	1347	1346	1347	1345	1345	1346	1348	1346	1348	1346	1345	1345	1347
15.0	1170	1172	1168	1164	1162	1160	1158	1160	1162	1164	1168	1172	1170	1172	1168	1164	1162	1160
17.5	996	997	993	987	982	979	976	979	982	987	993	997	996	997	993	987	982	979
20.0	839	838	833	826	820	815	813	815	820	826	833	838	839	838	833	826	820	815
22.5	688	689	684	677	672	668	666	668	672	677	684	689	688	689	684	677	672	668
25.0	551	551	548	544	540	538	537	538	540	544	548	551	551	551	548	544	540	538
27.5	435	438	436	433	430	429	427	429	430	433	436	438	435	438	436	433	430	429
30.0	338	341	339	335	332	331	331	331	332	335	339	341	338	341	339	335	332	331
32.5	264	265	264	261	258	258	258	258	258	261	264	265	264	265	264	261	258	258
35.0	209	209	209	207	205	204	205	204	205	207	209	209	209	209	209	207	205	204
37.5	168	168	168	166	165	165	165	165	165	166	168	168	168	168	168	166	165	165
40.0	134	135	135	133	132	133	133	133	132	133	135	135	134	135	135	133	132	133
42.5	110	111	110	110	109	109	110	109	109	110	110	111	110	111	110	110	109	109
45.0	94	94	94	94	94	95	95	95	94	94	94	94	94	94	94	94	94	95
47.5	82	83	83	82	83	84	85	84	83	82	83	83	82	83	83	82	83	84
50.0	71	71	71	71	72	72	73	72	72	71	71	71	71	71	71	71	72	72
52.5	60	60	61	60	60	59	59	59	60	60	61	60	60	60	61	60	60	59
55.0	51	52	52	52	51	51	51	51	51	52	52	52	51	52	52	52	51	51
57.5	44	44	45	44	44	44	44	44	44	44	45	44	44	44	45	44	44	44
60.0	36	36	37	37	37	36	36	36	37	37	37	36	36	36	37	37	37	36
62.5	23	24	25	24	24	24	24	24	24	24	25	24	23	24	25	24	24	24
65.0	14	14	15	14	14	15	14	15	14	14	15	14	14	14	15	14	14	15

article code  
Ecowat Co.

lamp(s)  
1 x LED  
total flux  
2828 lm  
LOR  
100 %  
tilt angle  
0.0 °



luminaire : DownLight\_LED\_35W\_CW

file : DOWNLIGHT\_LED\_35W\_CW

article code

Ecowat Co.

lamp(s)

1 x LED

total flux

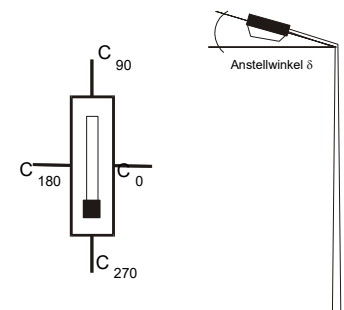
2828 lm

LOR

100 %

tilt angle

0.0 °



gamma / °	C 270	C 285	C 300	C 315	C 330	C 345
0.0	1835	1835	1835	1835	1835	1835
2.5	1813	1813	1813	1814	1815	1815
5.0	1757	1758	1757	1756	1756	1757
7.5	1664	1664	1663	1660	1659	1658
10.0	1525	1523	1521	1518	1517	1518
12.5	1346	1347	1345	1345	1346	1348
15.0	1158	1160	1162	1164	1168	1172
17.5	976	979	982	987	993	997
20.0	813	815	820	826	833	838
22.5	666	668	672	677	684	689
25.0	537	538	540	544	548	551
27.5	427	429	430	433	436	438
30.0	331	331	332	335	339	341
32.5	258	258	258	261	264	265
35.0	205	204	205	207	209	209
37.5	165	165	165	166	168	168
40.0	133	133	132	133	135	135
42.5	110	109	109	110	110	111
45.0	95	95	94	94	94	94
47.5	85	84	83	82	83	83
50.0	73	72	72	71	71	71
52.5	59	59	60	60	61	60
55.0	51	51	51	52	52	52
57.5	44	44	44	44	45	44
60.0	36	36	37	37	37	36
62.5	24	24	24	24	25	24
65.0	14	15	14	14	15	14

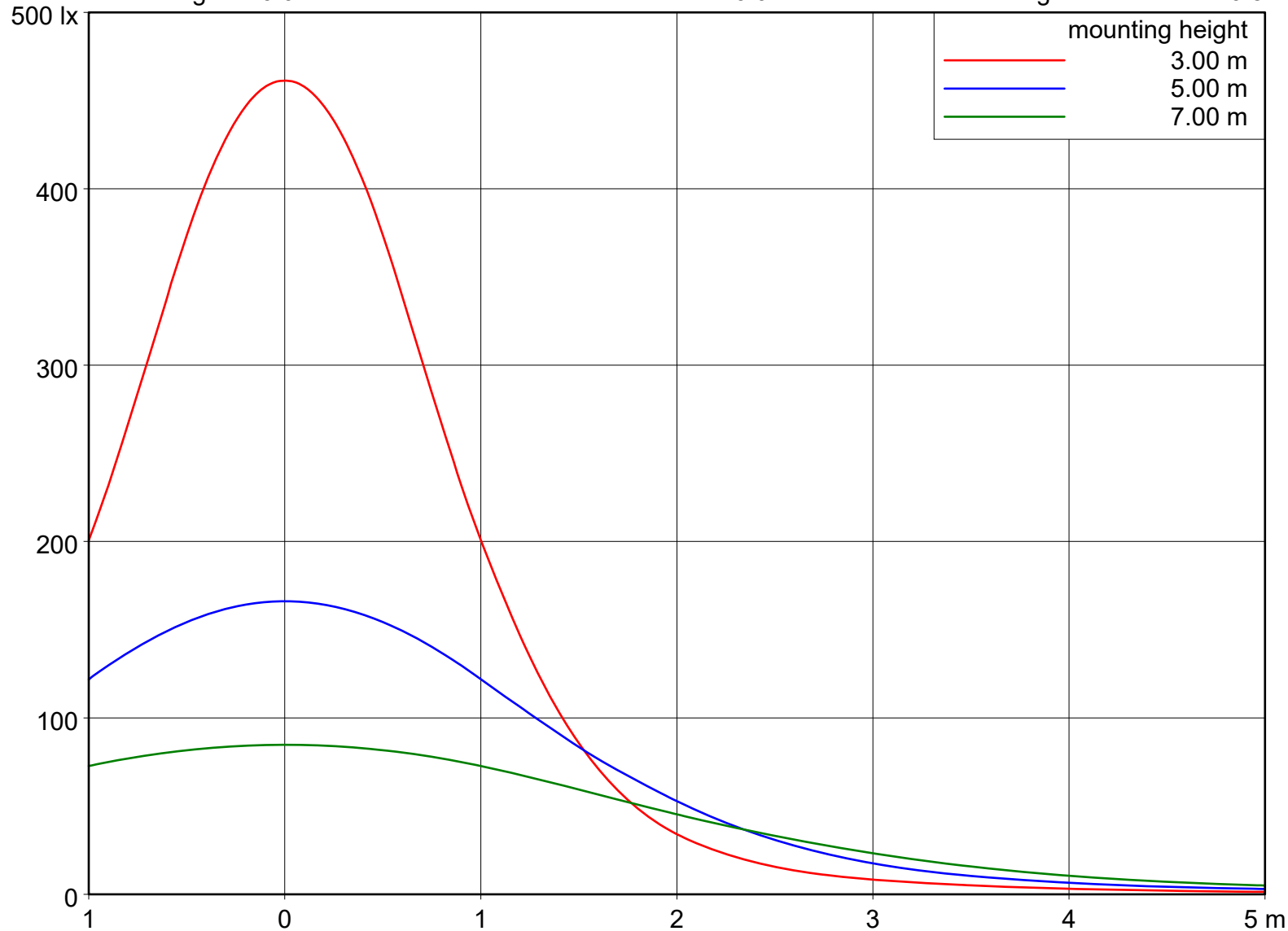


tilt angle : 0.0 °

swivel angle : 0.0 °

orientation : 0.0 °

light loss factor : 0.8



**article code**

Ecowat Co.

**lamp(s)**

1 x LED

total flux

2828 lm

LOR

100 %

tilt angle

0.0 °

