

**meas. no.** 95L496  
**meas. date** 1/8/2017  
**operator** LightLab

**meas. conditions**  
 ambient temperature 25.0 °C  
 voltage 230.00 V  
 current 0.185 A  
 power consumption 21.8 W

**meas. lamps** lum. flux [lm]  
 1 2041.0 lm

**measurement results**  
 flux of luminaire 2041.1 lm  
 classification / DIN A61  
 lower flux fraction 98.89 %  
 upper flux fraction 1.11 %  
 intensity maximum 1735.7 cd/klm  
 in C-plane 125.0 °  
 at gamma 2.5 °  
 half value angle C0 : 19.8 °  
 C180 : 19.7 °  
 C90 : 19.2 °  
 tenth value angle C0 : 35.9 °  
 C180 : 35.8 °  
 C90 : 35.6 °

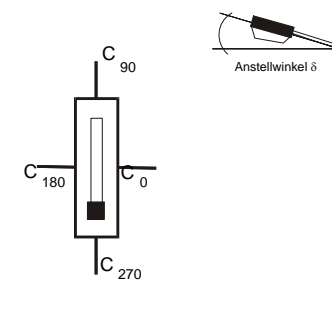
**article code**  
 Ecowat

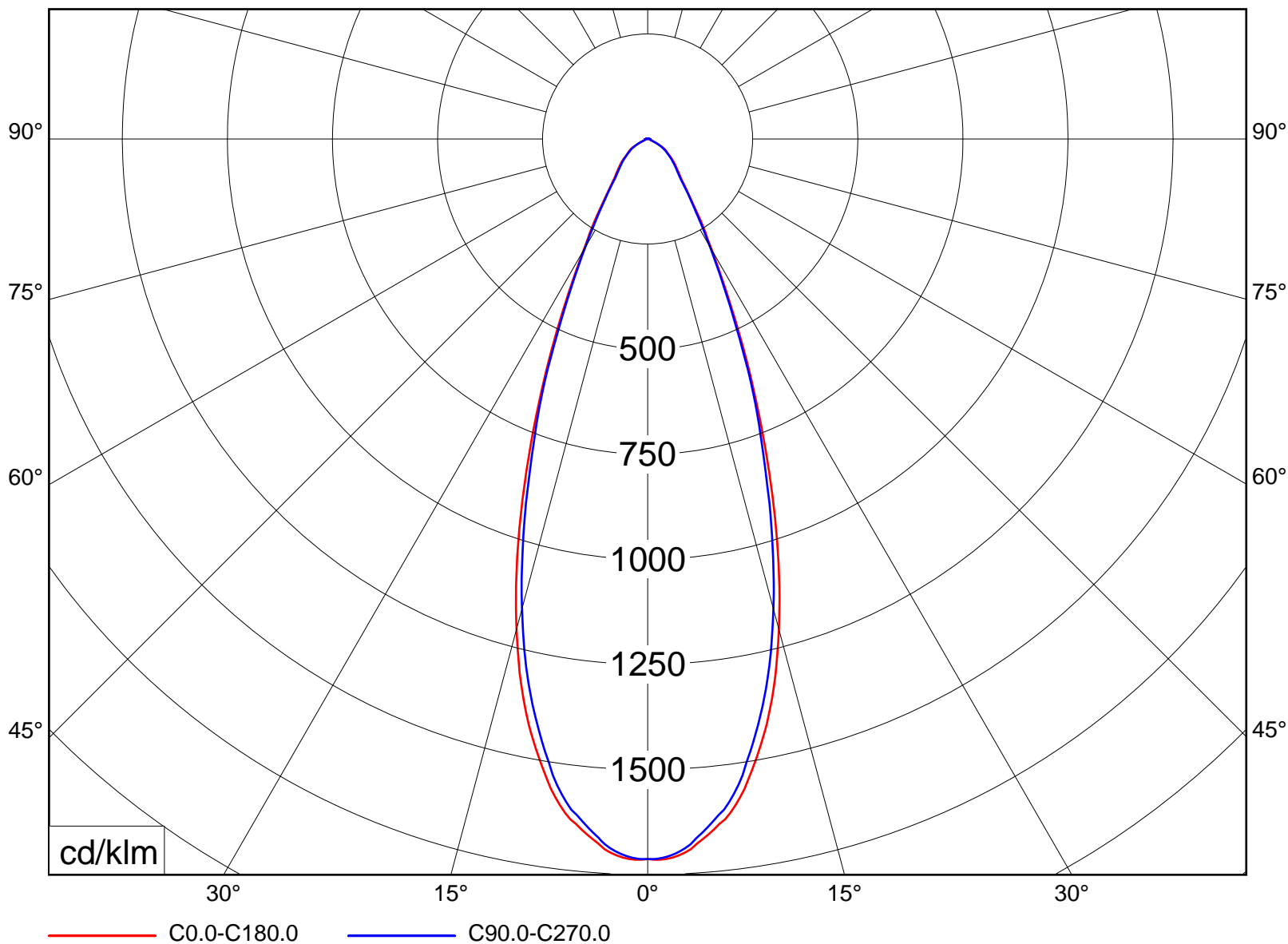
**lamp(s)**  
 1 x LED  
 total flux 2041 lm  
 LOR  
 100 %  
 tilt angle 0.0 °

**file**  
 DOWNLIGHT\_AR

**dimensions of luminaire**  
 diameter 130 mm  
 height 80 mm

**dimensions of luminous area**  
 diameter 85 mm  
 height C0 40 mm  
 height C90 40 mm  
 height C180 40 mm  
 height C270 40 mm





**article code**

Ecowat

**lamp(s)**

1 x LED

total flux  
2041 lm

LOR

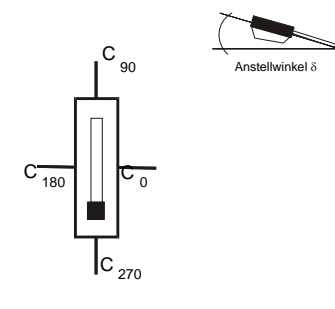
100 %

tilt angle

0.0 °

**file**

DOWNLIGHT\_AR



distance [m]	cone diameter [m]	E [lx]
1.0	0.72	E(0°) 3496 E(C0) 19.8° 1652
2.0	1.44	E(0°) 874 E(C0) 19.8° 413
3.0	2.16	E(0°) 388 E(C0) 19.8° 184
4.0	2.88	E(0°) 218 E(C0) 19.8° 103
5.0	3.60	E(0°) 140 E(C0) 19.8° 66
6.0	4.32	E(0°) 97 E(C0) 19.8° 46

half value angle 39.6°

**article code**

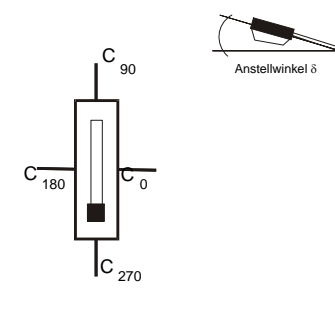
Ecowat

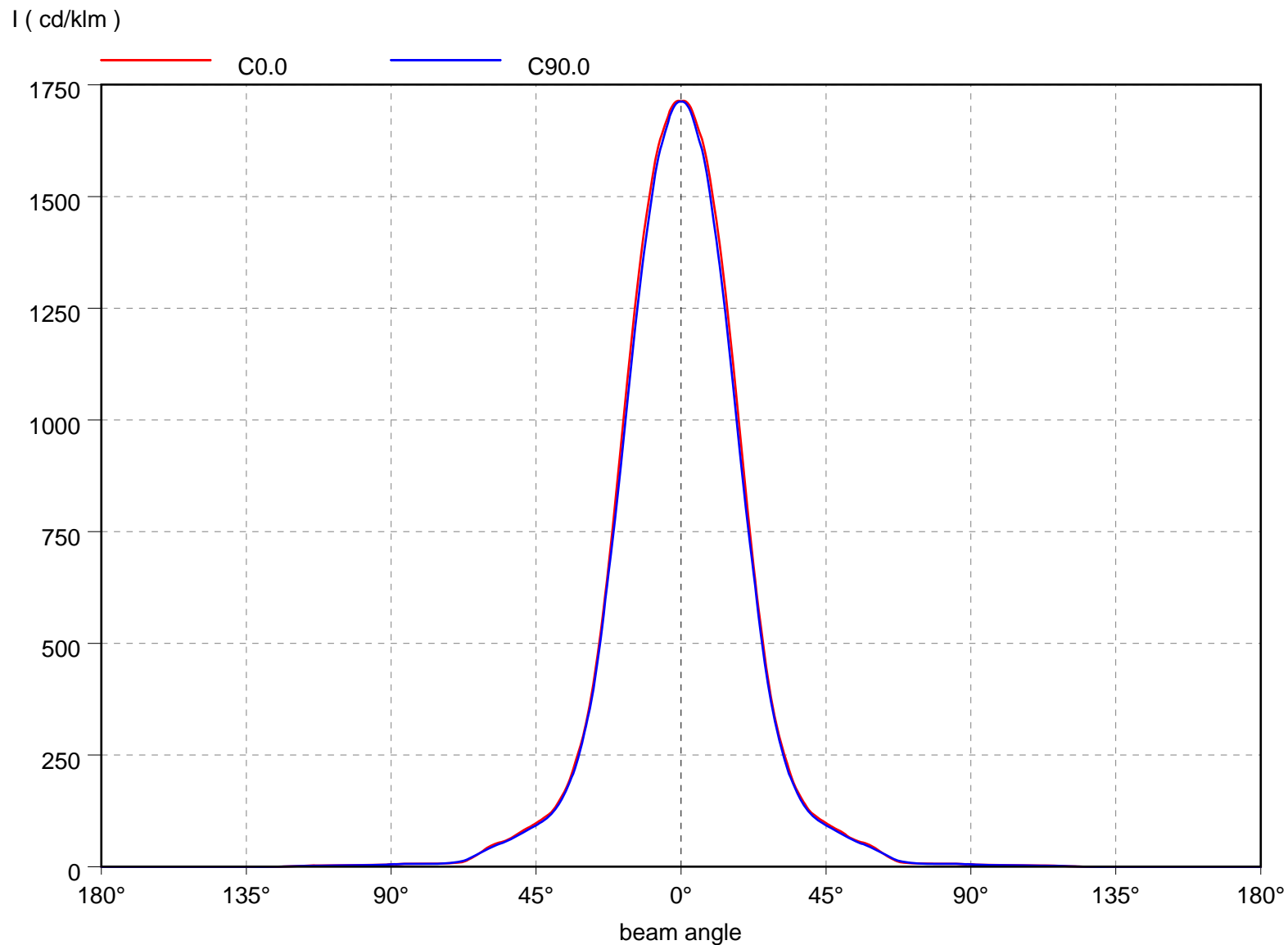
**lamp(s)**

1 x LED  
total flux  
2041 lm  
LOR  
100 %  
tilt angle  
0.0 °

**file**

DOWNLIGHT\_AR





**article code**

Ecowat

**lamp(s)**

1 x LED

total flux

2041 lm

LOR

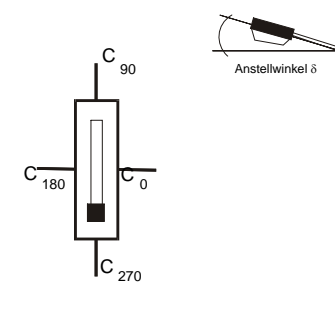
100 %

tilt angle

0.0 °

**file**

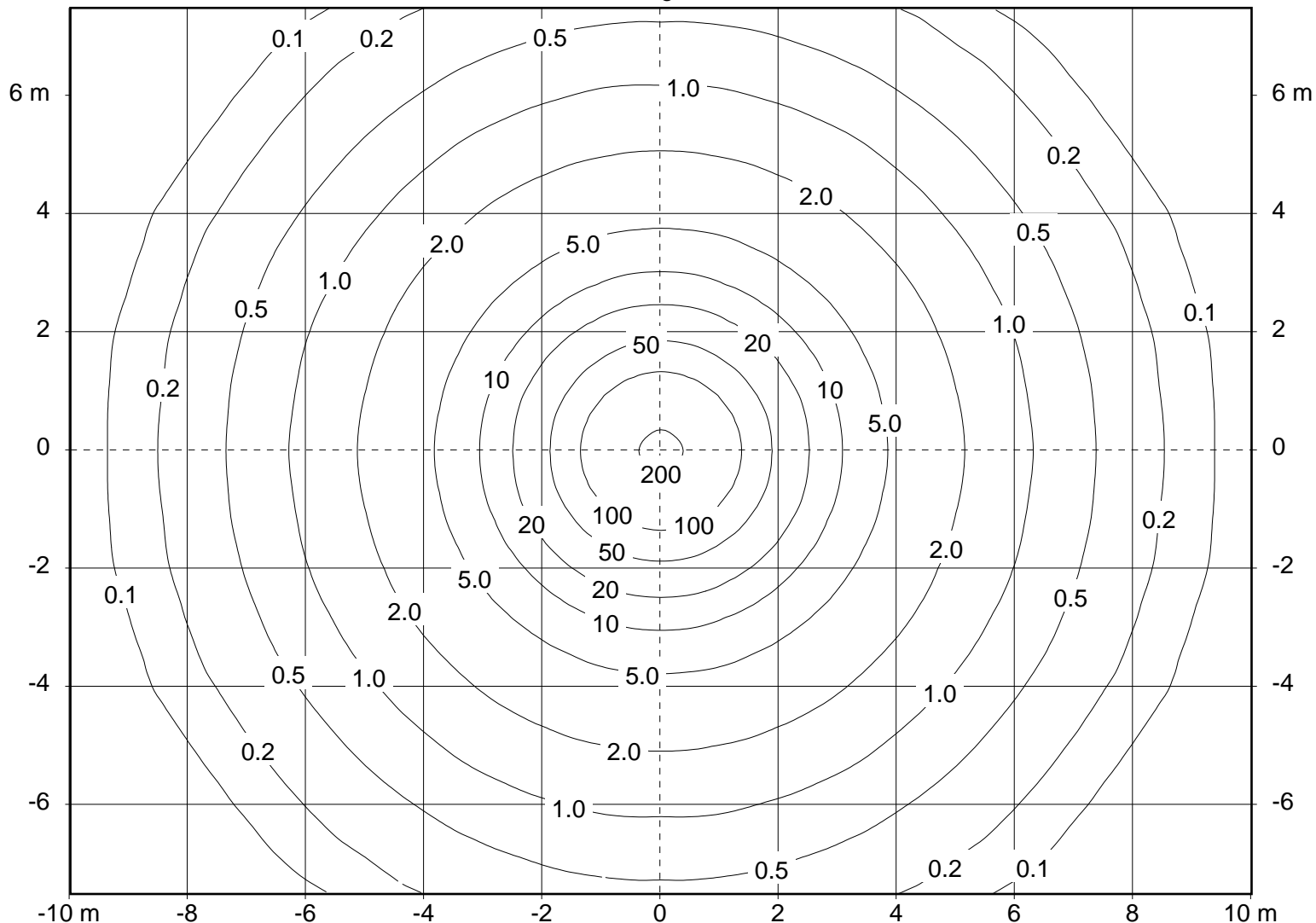
DOWNLIGHT\_AR



tilt angle : 0.0°  
Schwenkwinkel : 0.0°

Lichtpunkthöhe : 4.0 m  
Orientierung : 0.0°

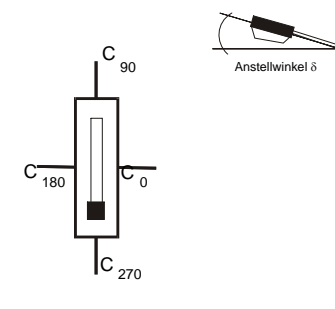
Verminderungsfaktor : 1.0



article code  
Ecowat

lamp(s)  
1 x LED  
total flux  
2041 lm  
LOR  
100 %  
tilt angle  
0.0°

file  
DOWNLIGHT\_AR



gamma / °	C 0	C 15	C 30	C 45	C 60	C 75	C 90	C 105	C 120	C 135	C 150	C 165	C 180	C 195	C 210	C 225	C 240
0	1713	1713	1713	1713	1713	1713	1713	1713	1713	1713	1713	1713	1713	1713	1713	1713	1713
5	1660	1662	1658	1651	1647	1644	1643	1644	1647	1651	1658	1662	1660	1662	1658	1651	1647
10	1494	1491	1482	1474	1462	1455	1453	1455	1462	1474	1482	1491	1494	1491	1482	1474	1462
15	1206	1199	1190	1177	1165	1158	1156	1158	1165	1177	1190	1199	1206	1199	1190	1177	1165
20	846	844	834	827	819	813	809	813	819	827	834	844	846	844	834	827	819
25	523	517	514	512	510	506	508	506	510	512	514	517	523	517	514	512	510
30	305	304	303	299	299	297	300	297	299	299	303	304	305	304	303	299	299
35	187	185	185	185	184	183	182	183	184	185	185	185	187	185	185	185	184
40	125	123	123	123	123	122	120	122	123	123	123	123	125	123	123	123	123
45	98	95	95	95	94	93	93	93	94	95	95	95	98	95	95	95	94
50	77	75	75	73	72	72	72	72	72	73	75	75	77	75	75	73	72
55	57	56	57	55	56	55	55	55	56	55	57	56	57	56	57	55	56
60	43	43	42	41	41	40	39	40	41	41	42	43	43	43	42	41	41
65	20	20	20	20	21	21	21	21	21	20	20	20	20	20	20	20	21

gamma / °	C 255	C 270	C 285	C 300	C 315	C 330	C 345
0	1713	1713	1713	1713	1713	1713	1713
5	1644	1643	1644	1647	1651	1658	1662
10	1455	1453	1455	1462	1474	1482	1491
15	1158	1156	1158	1165	1177	1190	1199
20	813	809	813	819	827	834	844
25	506	508	506	510	512	514	517
30	297	300	297	299	299	303	304
35	183	182	183	184	185	185	185
40	122	120	122	123	123	123	123
45	93	93	93	94	95	95	95
50	72	72	72	72	73	75	75
55	55	55	55	56	55	57	56
60	40	39	40	41	41	42	43
65	21	21	21	21	20	20	20

article code

Ecowat

lamp(s)

1 x LED

total flux

2041 lm

LOR

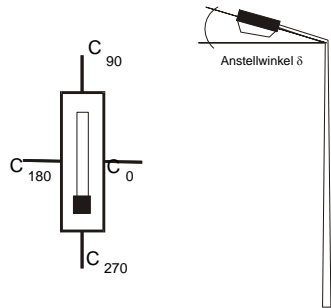
100 %

tilt angle

0.0 °

file

DOWNLIGHT\_AR



tilt angle : 0.0°  
swivel angle : 0.0°

orientation : 0.0°

light loss factor : 1.0

article code

Ecowat

lamp(s)

1 x LED  
total flux  
2041 lm  
LOR  
100 %  
tilt angle  
0.0°

file

DOWNLIGHT\_AR

