

<b>meas. no.</b>	<b>95L495</b>
<b>meas. date</b>	<b>1/8/2017</b>
<b>operator</b>	<b>LightLab</b>
<b>meas. conditions</b>	
ambient temperature	25.0 °C
voltage	230.00 V
current	0.185 A
power consumption	21.8 W
<b>meas. lamps</b>	
	<b>lum. flux [lm]</b>
1	2058.0 lm

<b>measurement results</b>	
flux of luminaire	2057.5 lm
classification / DIN	A60
lower flux fraction	99.40 %
upper flux fraction	0.60 %
intensity maximum	5618.3 cd/klm
in C-plane	177.5 °
at gamma	2.5 °
half value angle	C0 : 9.4 °
	C90 : 9.2 °
	C270 : 9.1 °
tenth value angle	C0 : 18.5 °
	C90 : 18.5 °
	C270 : 17.9 °

**article code**

Ecowat

**lamp(s)**

1 x LED  
total flux  
2058 lm  
LOR  
100 %  
tilt angle  
0.0 °

**file**

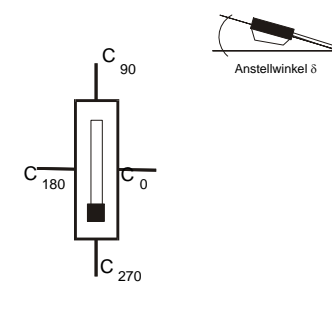
DOWNLIGHT\_LE

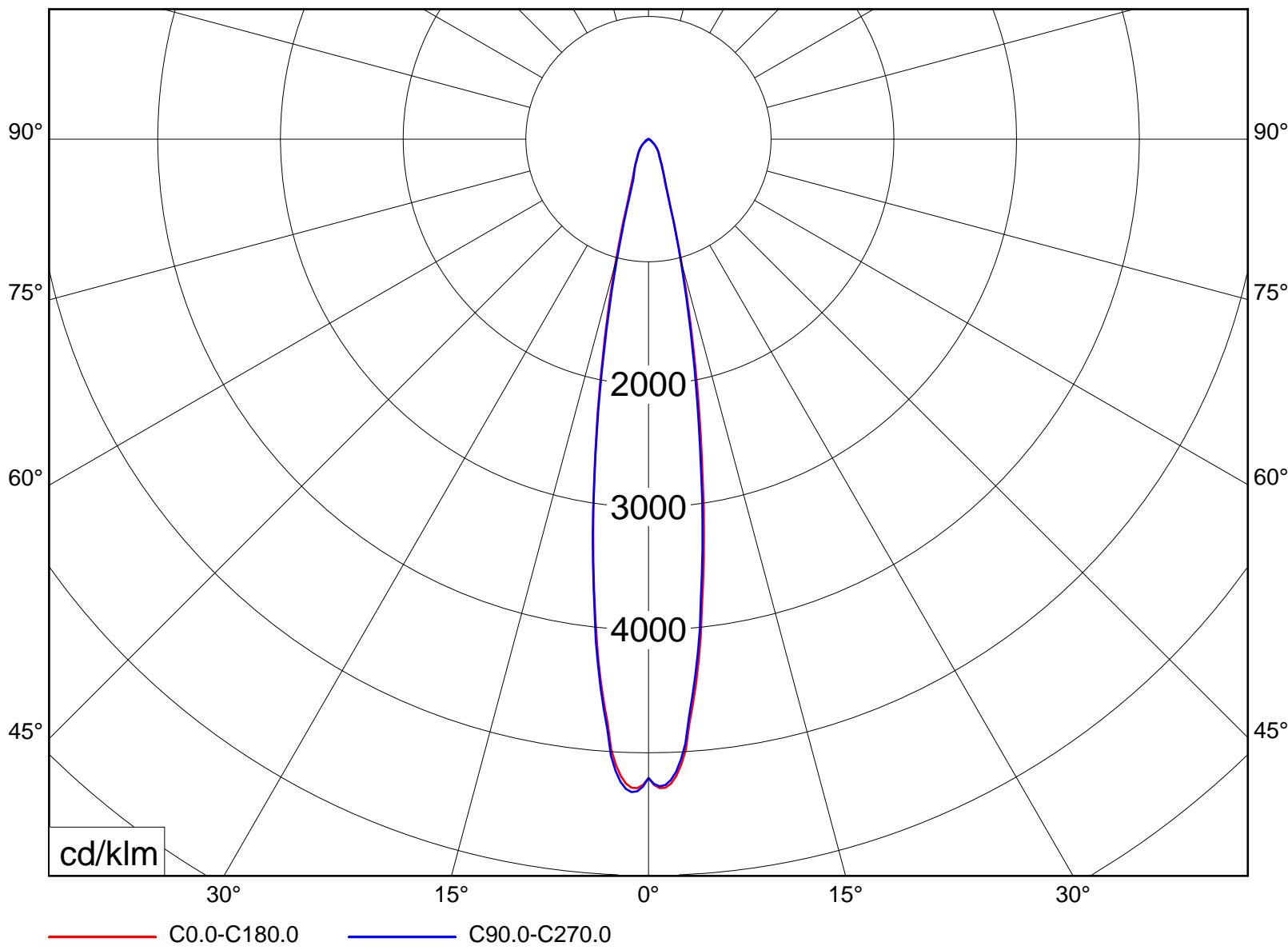
**dimensions of luminaire**

diameter	130 mm
height	80 mm

**dimensions of luminous area**

diameter	85 mm
height C0	40 mm
height C90	40 mm
height C180	40 mm
height C270	40 mm





**article code**

Ecowat

**lamp(s)**

1 x LED

total flux

2058 lm

LOR

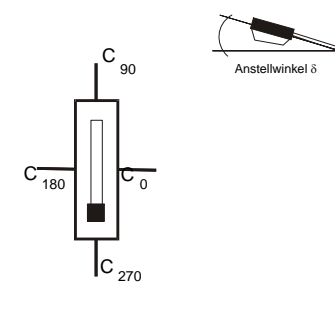
100 %

tilt angle

0.0 °

**file**

DOWNLIGHT\_LE



distance [m]	cone diameter [m]	E [lx]
1.0	0.33	E(0°) 10707 E(C0) 9.4° 5427
2.0	0.66	E(0°) 2677 E(C0) 9.4° 1357
3.0	0.99	E(0°) 1190 E(C0) 9.4° 603
4.0	1.32	E(0°) 669 E(C0) 9.4° 339
5.0	1.66	E(0°) 428 E(C0) 9.4° 217
6.0	1.99	E(0°) 297 E(C0) 9.4° 151

half value angle 18.8°

**article code**

Ecowat

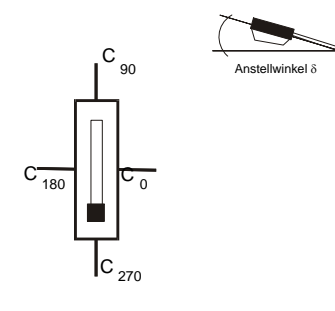
**lamp(s)**

1 x LED  
total flux  
2058 lm

LOR  
100 %  
tilt angle  
0.0 °

**file**

DOWNLIGHT\_LE



article code

Ecowat

lamp(s)

1 x LED

total flux

2058 lm

LOR

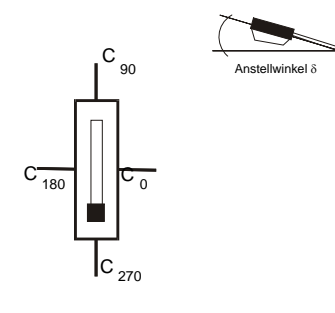
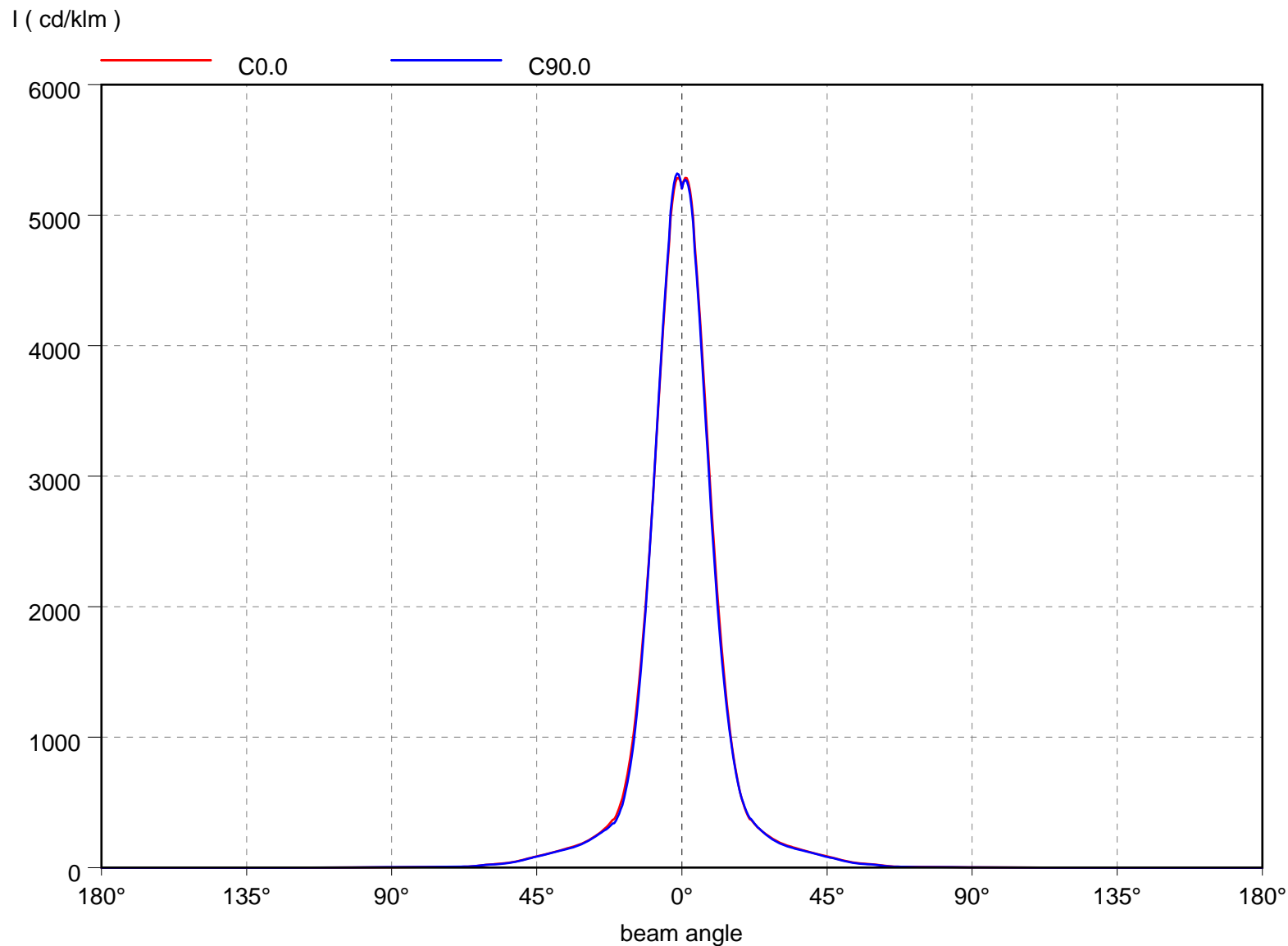
100 %

tilt angle

0.0 °

file

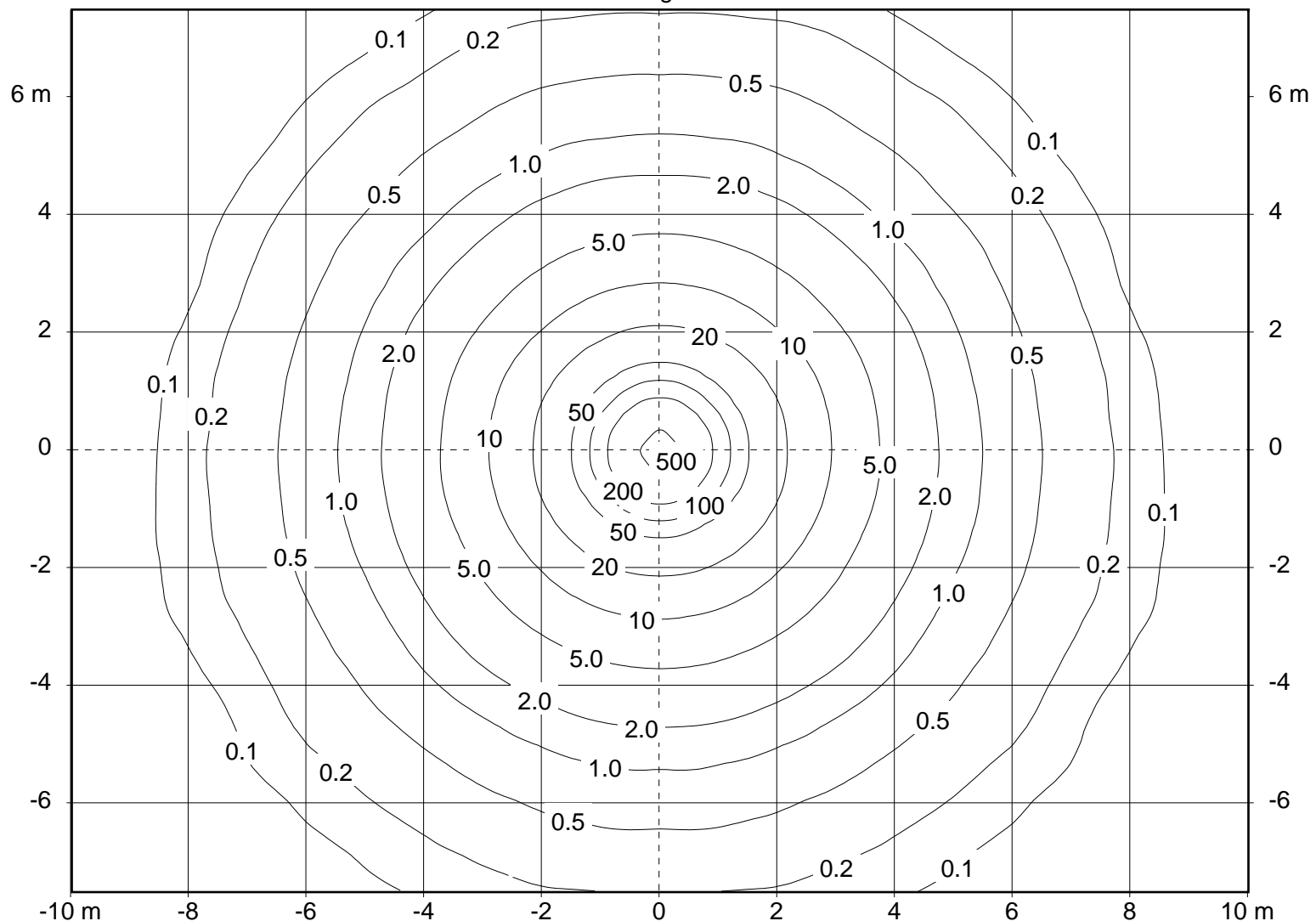
DOWNLIGHT\_LE



tilt angle : 0.0°  
Schwenkwinkel : 0.0°

Lichtpunkthöhe : 4.0 m  
Orientierung : 0.0°

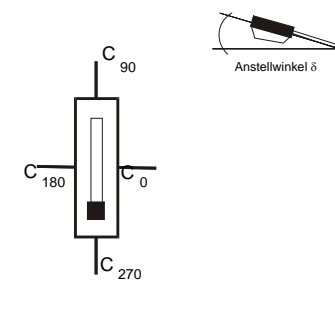
Verminderungsfaktor : 1.0



article code  
Ecowat

lamp(s)  
1 x LED  
total flux  
2058 lm  
LOR  
100 %  
tilt angle  
0.0°

file  
DOWNLIGHT\_LE



gamma / °	C 0	C 15	C 30	C 45	C 60	C 75	C 90	C 105	C 120	C 135	C 150	C 165	C 180	C 195	C 210	C 225	C 240
0	5203	5203	5203	5203	5203	5203	5203	5203	5203	5203	5203	5203	5203	5203	5203	5203	5203
5	4444	4433	4409	4384	4383	4384	4383	4384	4383	4384	4409	4433	4444	4451	4468	4473	4472
10	2451	2428	2406	2396	2383	2366	2363	2366	2383	2396	2406	2428	2451	2480	2467	2456	2443
15	1030	1010	1011	1009	1008	1006	1003	1006	1008	1009	1011	1010	1030	1033	1014	995	977
20	422	422	423	424	425	428	431	428	425	424	423	422	422	426	421	410	398
25	277	283	282	278	278	278	276	278	278	278	282	283	277	282	282	281	276
30	196	200	202	196	193	189	190	189	193	196	202	200	196	201	198	196	197
35	152	155	156	152	149	148	146	148	149	152	156	155	152	152	149	152	150
40	117	118	120	114	115	113	116	113	115	114	120	118	117	117	116	119	119
45	87	85	87	85	85	84	82	84	85	85	87	85	87	84	85	87	85
50	56	56	57	54	56	55	53	55	56	54	57	56	56	56	57	57	55
55	34	33	33	32	33	33	31	33	33	32	33	33	34	35	33	34	32
60	24	24	24	23	23	24	23	24	23	23	24	24	24	24	25	24	24

gamma / °	C 255	C 270	C 285	C 300	C 315	C 330	C 345
0	5203	5203	5203	5203	5203	5203	5203
5	4477	4484	4477	4472	4473	4468	4451
10	2436	2435	2436	2443	2456	2467	2480
15	965	957	965	977	995	1014	1033
20	387	383	387	398	410	421	426
25	275	269	275	276	281	282	282
30	193	193	193	197	196	198	201
35	148	147	148	150	152	149	152
40	116	116	116	119	119	116	117
45	84	85	84	85	87	85	84
50	55	54	55	55	57	57	56
55	33	32	33	32	34	33	35
60	24	24	24	24	24	25	24

article code

Ecowat

lamp(s)

1 x LED

total flux

2058 lm

LOR

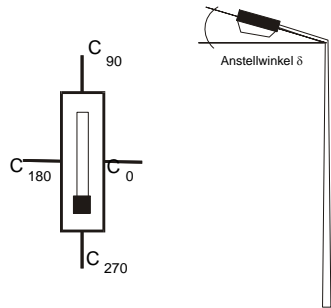
100 %

tilt angle

0.0 °

file

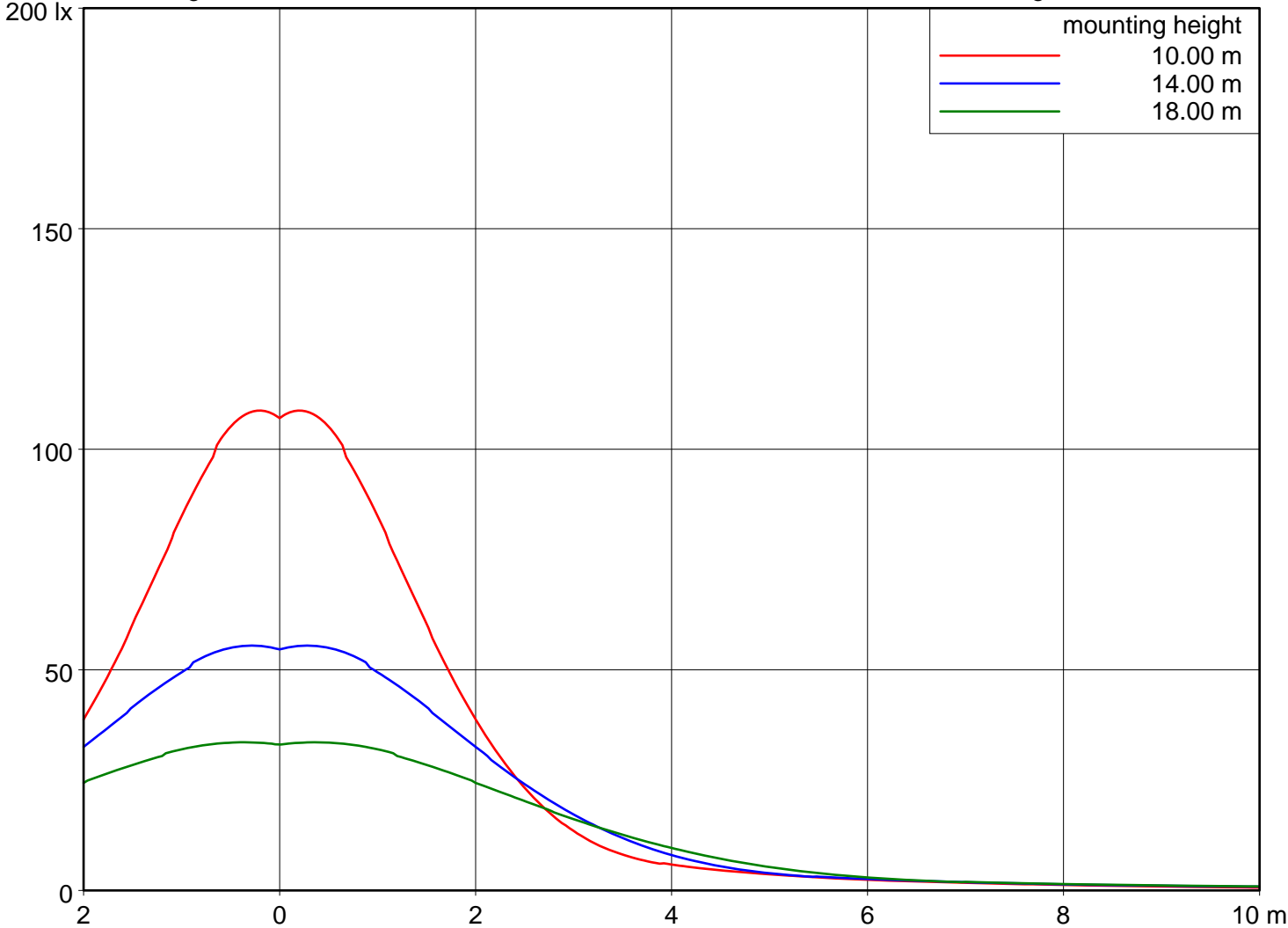
DOWNLIGHT\_LE



tilt angle : 0.0°  
swivel angle : 0.0°

orientation : 0.0°

light loss factor : 1.0



article code

Ecowat

lamp(s)

1 x LED  
total flux  
2058 lm  
LOR  
100 %  
tilt angle  
0.0°

file

DOWNLIGHT\_LE

